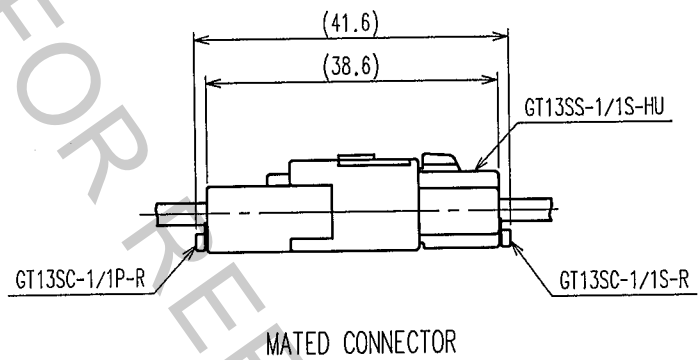
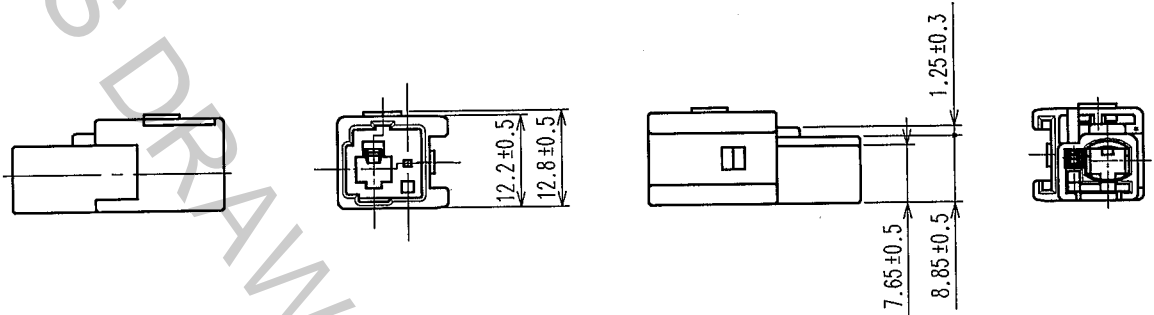
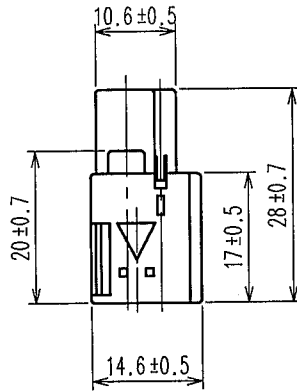


1		2			3			4		
COUNT	DESCRIPTION OF REVISIONS	BY	CHKD	DATE	COUNT	DESCRIPTION OF REVISIONS	BY	CHKD	DATE	
△					△					
△					△					
△					△					

ELV. RoHS COMPLIANT



NOTE1. THIS CONNECTOR SHALL BE USED WITH A RETAINER(GT13SC-1/1P-R)

1	PBT	LIGHT GLAY							
NO.	MATERIAL	FINISH, REMARKS	NO.	MATERIAL	FINISH, REMARKS				
CODE NO. (OLD) CL			DRAWN	DESIGNED	CHECKED	APPROVED	RELEASED		
			S. KURIYA	M. OKADA	<i>K. Aoto</i>	<i>K. Aoto</i>			
			07. 2. 5	06. 10. 12	07. 2. 6	07. 2. 6			
DRAWING NO. EDC4-166518			PART NO. GT13SSN-1/1PP-HU						
SCALE 1 : 1			CODE NO. CL763-0092-9					1 1	
UNITS mm			HRS HIROSE ELECTRIC CO., LTD.						

TO