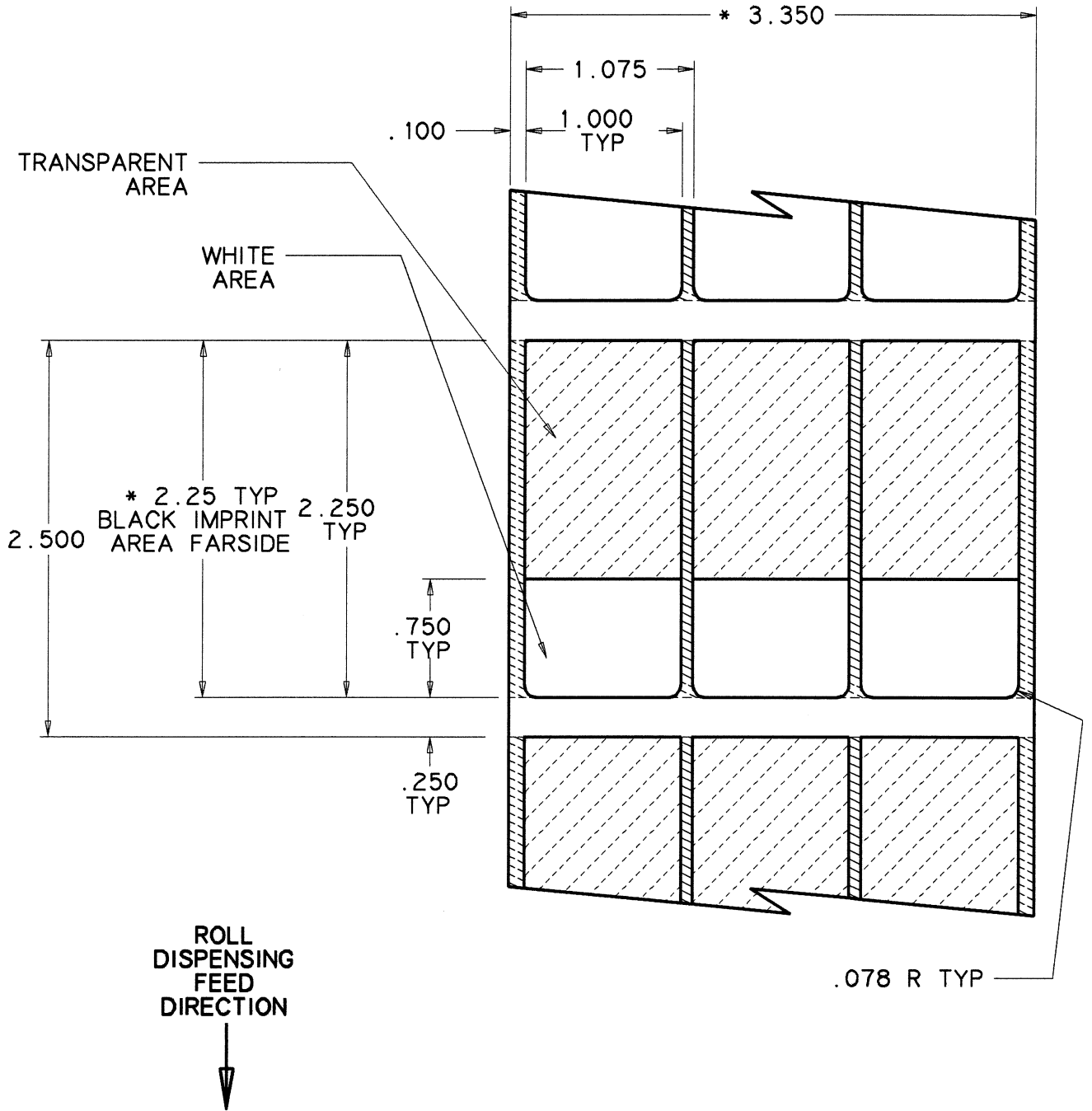


name	date	city, state

NOTES

* DIMENSIONS FOR FASIDE OF RELEASE LINER



5,000 WHITE/TRANSPARENT LABELS PER ROLL, 3 ACROSS ON 3" CORE.

REVISION	level	A
	by	AAM
	date	11/25/98
	ECN #	000944
	part level	A

DIMENSIONS	.XXXX=	
	.XXX=±.010	
	.XX=±.01	
	.X=	
	∠=	
unless otherwise specified		
units	inches	

PART	number	TAG9T3-100B	phase	PRODUCTION
	name	TAG9T3-100B THERMAL TRANSFER SELF-LAMINATING LABEL		
	material	100 CLEAR VINYL ON 50 LB LINER		

DRAWING	FORMAT AV version J	CAD	PD	scale	1X
	computer file number	LA\DTL\3002116A			previous number
	drawn	A.A.M.	checked	Ken C.	approved
	date	11/25/98	checked	12/9/98	approved
	type	DETAIL			sheet 1 of 1
number	LA3002116DTL				