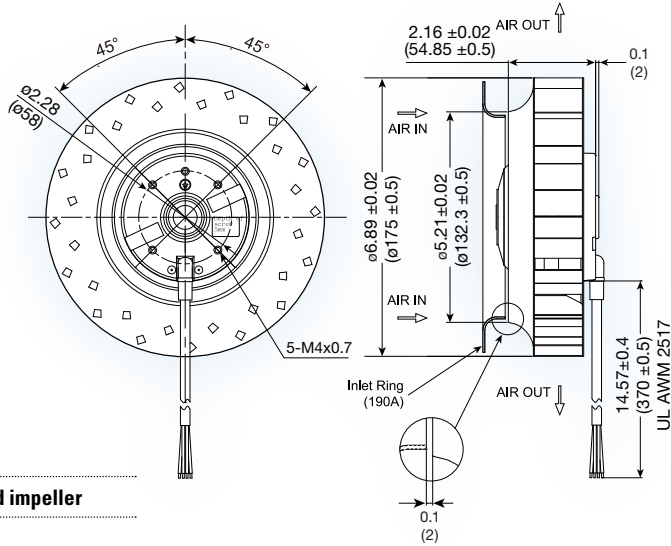
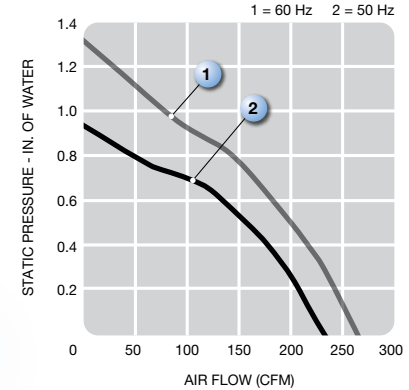


UF175AMA series



(175 dia. x 55 mm)
6.89 dia. x 2.16 inches



Features: backward curved impeller

Operating voltage: 115 or 230 VAC

Construction: aluminum die cast motor base;
steel impeller

Bearing option: ball bearing

Motor: permanent split capacitor
required capacitor included

Air Flow: centrifugal

Connection: 22 AWG lead wires

Protection: thermal

| Model No. | Rated Voltage V | Freq. HZ | Input Power W | Rated Cur. A | Locked Cur. A | Speed RPM | Air Volume | | Max. Static Pressure (H ₂ O) | | Sound Noise dBa | Weight kg |
|------------------|--------------------|-------------|------------------|-----------------|------------------|--------------|----------------------|-----|---|------|--------------------|--------------|
| | | | | | | | M ³ /Min. | CFM | MM | INCH | | |
| UF175AMA12-H1C2A | 115 | 50 | 60 | 0.55 | 0.82 | 2,550 | 6.5 | 230 | 23 | 0.9 | 66 | 1.3 |
| | 115 | 60 | 66 | 0.55 | 0.84 | 2,900 | 7.5 | 265 | 33 | 1.3 | 70 | 1.3 |
| UF175AMA23-H1C2A | 230 | 50 | 60 | 0.27 | 0.41 | 2,550 | 6.5 | 230 | 23 | 0.9 | 66 | 1.3 |
| | 230 | 60 | 66 | 0.28 | 0.42 | 2,900 | 7.5 | 265 | 33 | 1.3 | 70 | 1.3 |

