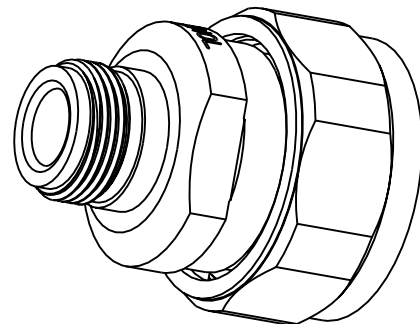
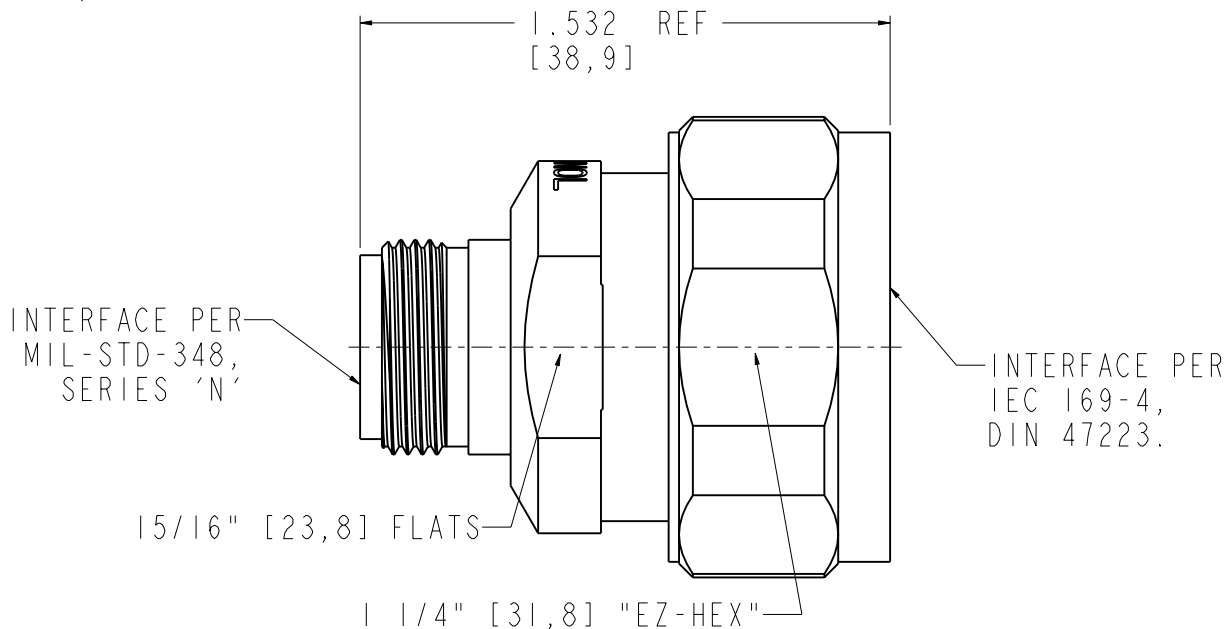
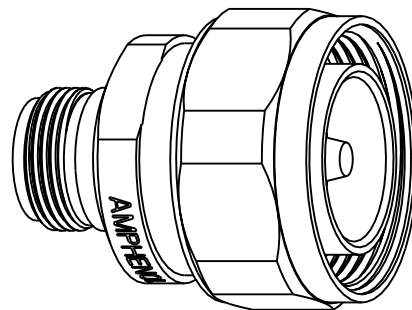


- NOTES:  
 1. MATERIALS OF CONSTRUCTION  
 BODY (ONE PIECE) - BRASS, WHITE BRONZE PLATING  
 CONTACT (ONE PIECE) - BeCu, SILVER PLATED  
 INSULATOR - PTFE  
 2. ELECTRICAL  
 A. VSWR(RETURN LOSS), MINIMUM  
 DC - 2GHz: 1.05 (32 dB)  
 2 - 4GHz: 1.1 (26 dB)  
 4 - 6GHz: 1.15 (23 dB)  
 B. THIRD ORDER INTERMODULATION DISTORTION, MAXIMUM  
 -125 dBm WITH TWO +43 dBm CARRIERS (-168 dBc)  
 C. THIS ADAPTER IS PHASE MATCHED WITH: APH-716M-NM,  
 APH-716F-NM, APH-716F-NF.

APH-716M-NF		REVISIONS			
DRAWING NO.	REV	DESCRIPTION	DATE	ECO	APPR
THIRD ANGLE PROJ.	A	OFFICIAL ENG. RELEASE TO MFG.	6/27/97	42029	ORB



SCALE 2.000



SCALE 2.000

CUSTOMER OUTLINE DRAWING  
 ALL OTHER SHEETS ARE FOR INTERNAL USE ONLY

UNLESS OTHERWISE SPECIFIED, DIMENSIONS ARE IN INCHES AND TOLERANCES ARE:  
 2 PLACE DECIMAL 3 PLACE DECIMAL ANGLES  
 ±.015 (0.381 mm) ±.005 (0.127 mm) ± 1°

NOTICE - These drawings, specifications, or other data (1) are, and remain the property of Amphenol Corp., (2) must be returned upon request; and (3) are confidential and not to be disclosed to any person other than those to whom they are given by Amphenol Corp. The furnishing of these drawings, specifications, or other data by Amphenol Corp., or to any other person to anyone for any purpose is not to be regarded by implication or otherwise in any manner licensing, granting rights or permitting such holder or any other person to manufacture, use or sell any product, process or design, patented or otherwise, that may in any way be related to or disclosed by said drawings, specifications, or other data.

MATERIAL

REFERENCE  
 P/N 716-58  
 EAR# 966508-0  
 GEN# ASSY.716M-NF

DRAWN  
 OWEN BARTHELMS

ENGINEER  
 OWEN BARTHELMS

APPROVED  
 T. AUBIN

CAD FILE  
 I:\716\APH-716M-NF

DATE  
 07-Apr-97

DATE  
 07-Apr-97

DATE  
 6/27/97

TITLE  
 716 (M) TO N (F)  
 BETWEEN SERIES  
 ADAPTER

Amphenol  
 Amphenol Corporation  
 Communication and Network  
 Products Division  
 Danbury, CT U.S.A. 06810

SCALE: 3.0:1 SHEET 1 OF 1

CODE ID  
 74868

DWG SIZE  
 B

DRAWING NO.  
 APH-716M-NF

REV  
 A