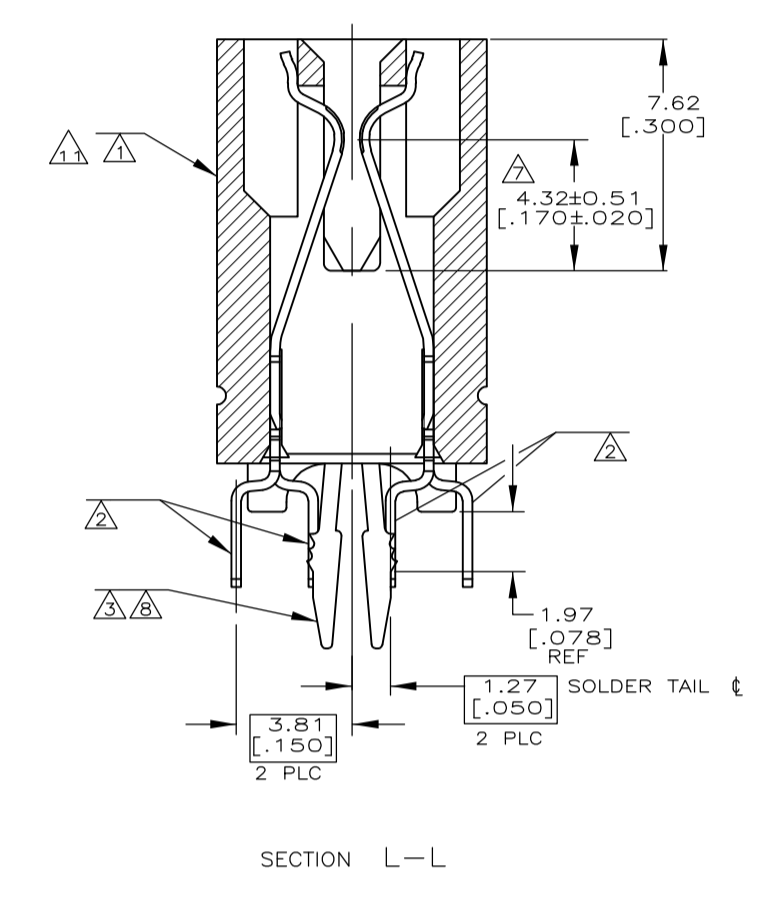
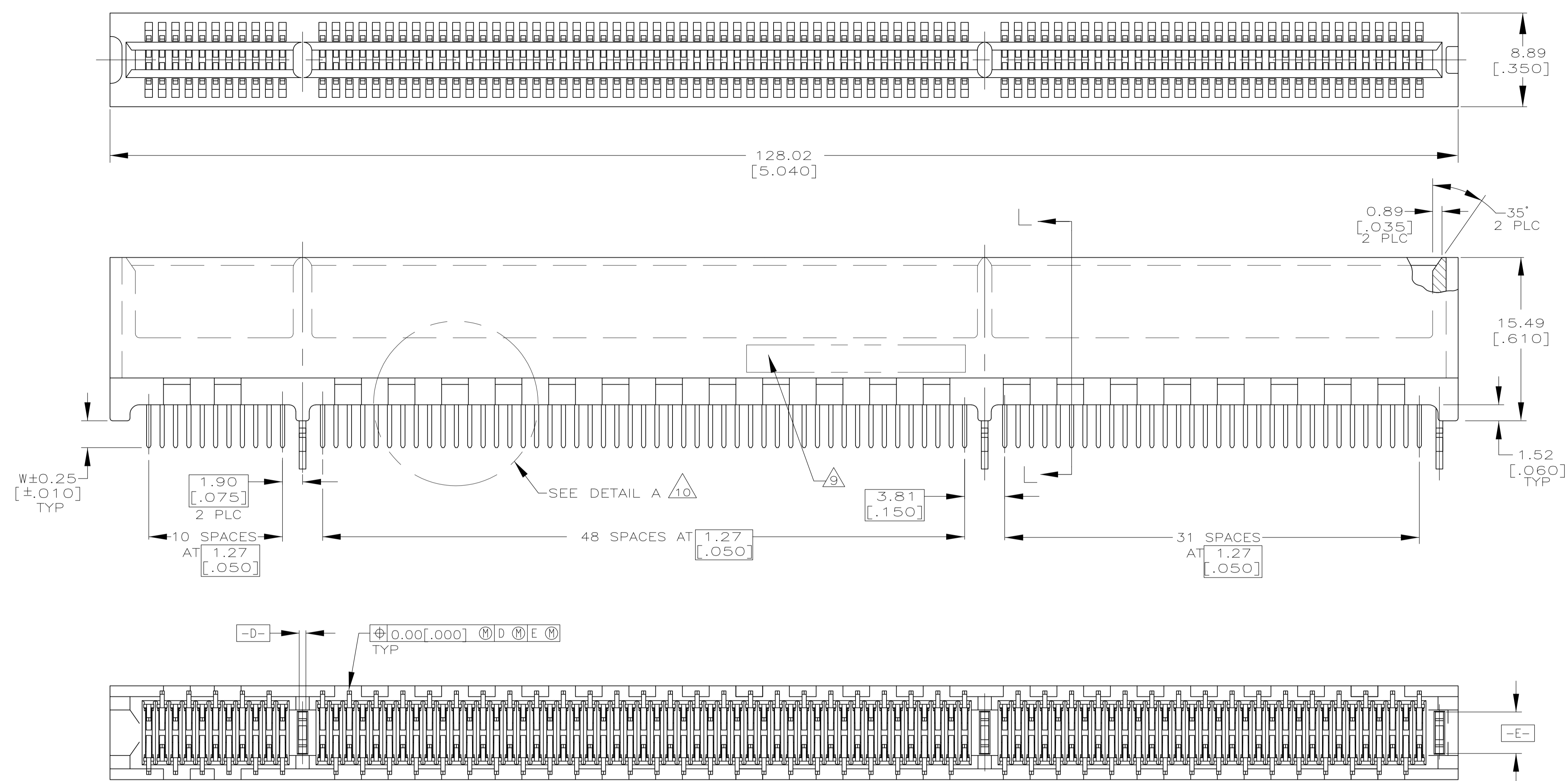
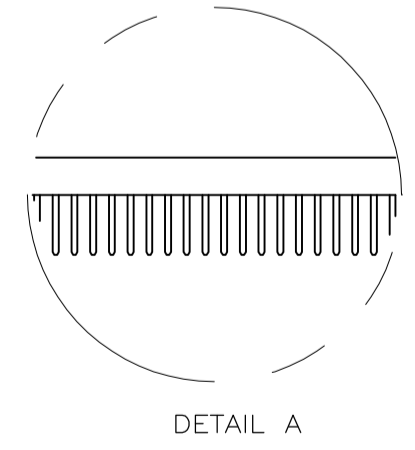


LOC		DIST		REVISIONS			
P	LTR	DESCRIPTION	DATE	DMN	APVD		
M		REV PER ECO-07-006121	15JUN07	JRP	AWF		
M1		REVISED PER ECO-09-021826	11SEP09	KK	AEG		



SEE SHEET 2 FOR HOLE PATTERN



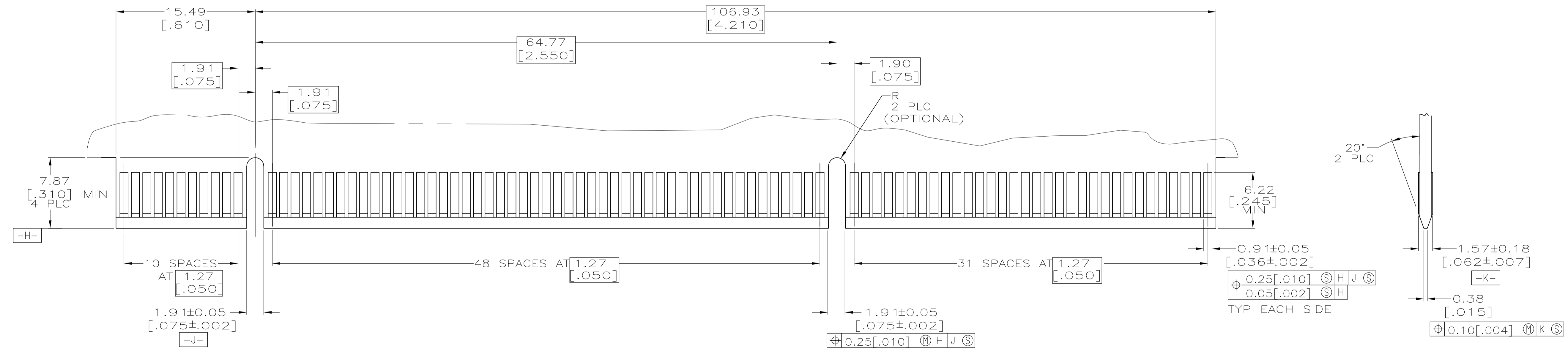
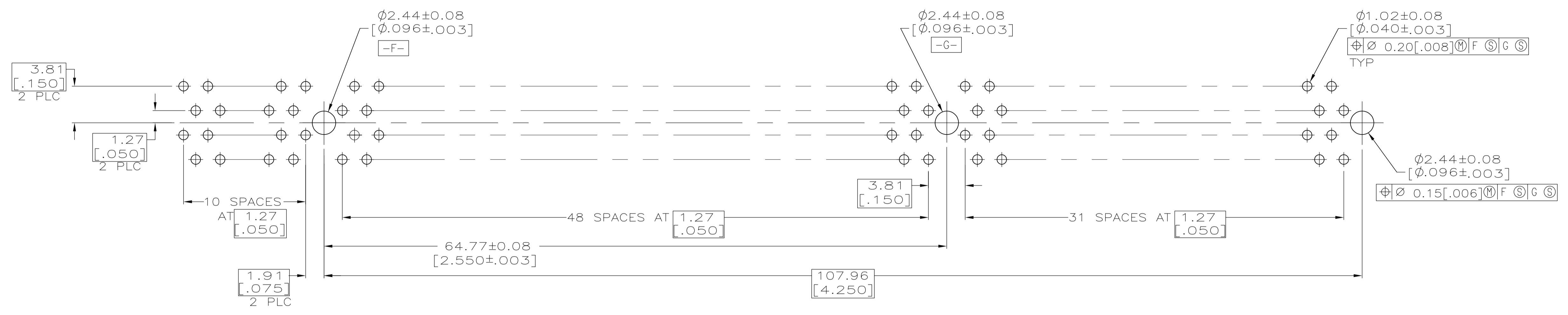
- △ HOUSING: HIGH TEMPERATURE THERMOPLASTIC. COLOR - NATURAL
- △ CONTACT: PHOSPHOR BRONZE.
- △ METAL HOLD DOWN: BRASS
- △ CONTACT FINISH: .001269[.000050] MIN NICKEL ALL OVER. GOLD FLASH OVER NICKEL IN CONTACT AREA. .002537[.000100] MIN TIN-LEAD OVER NICKEL ON SOLDER TAILS.
- △ CONTACT FINISH: .001269[.000050] MIN NICKEL ALL OVER. .000375[.000015] GOLD OVER NICKEL IN CONTACT AREA. .002537[.000100] MIN TIN-LEAD OVER NICKEL ON SOLDER TAILS.
- △ CONTACT FINISH: .001269[.000050] MIN NICKEL ALL OVER. .000757[.000030] GOLD OVER NICKEL IN CONTACT AREA. .002537[.000100] MIN TIN-LEAD OVER NICKEL ON SOLDER TAILS.
- △ DISTANCE FROM CONTACT POINT TO BOTTOM OF CARD SLOT.
- △ METAL HOLD DOWN FINISH: .001269[.000050] MIN NICKEL ALL OVER. .003809[.000150] MIN TIN-LEAD ALL OVER.
- △ AMP PART NUMBER, DATE CODE AND CSA LOGO MARKED IN APPROXIMATE LOCATION SHOWN.
- △ CORED OR SOLID SIDE WALLS ARE AT DISCRETION OF AMP INCORPORATED.
- △ HOUSING: HIGH TEMPERATURE THERMOPLASTIC. COLOR - GREEN, PANTONE COLORS 355C OR 365C
- △ CONTACT FINISH: .001269[.000050] MIN NICKEL ALL OVER. .000757[.000030] GOLD OVER NICKEL IN CONTACT AREA. .002537[.000100] MIN TIN OVER NICKEL ON SOLDER TAILS.
- △ OBSOLETE PARTS: OBSOLETE CIS STREAMLINING PER D.RENAUD/D.SINISI

SUPERSEDED BY 5145168-8	3.18 [.125]	9-145168-0
△ OBSOLETE	3.18 [.125]	2-145168-8
	3.56 [.140]	1-145168-2
	3.18 [.125]	145168-8
	2.54 [.100]	145168-4
OBSOLETE	2.54 [.100]	145168-3
△ SUPERSEDED BY 5145168-2	2.54 [.100]	145168-2
	2.54 [.100]	145168-1
HSG MATL	W	FINISH
		PART NUMBER

THIS DRAWING IS A CONTROLLED DOCUMENT.

DIMENSIONS: mm [INCHES]	TOLERANCES UNLESS OTHERWISE SPECIFIED:	DIN R BROWN 6/12/95	6/12/95	Tyco Electronics Corporation Harrisburg, Pa 17105-3608
0 PLC ± -	1 PLC ± -	2 PLC ± 0.25 [.01]	3 PLC ± 0.127 [.005]	4 PLC ± - ± Z
MATERIAL FINISH		1 2 3 11	4 THRU 10	RESTRICTED TO
CUSTOMER DRAWING		SCALE 4:1	SHEET 1 OF 2	REV M1

PRODUCT SPEC: 108-14034
APPLICATION SPEC: 114-26012
NAME: CONNECTOR ASSEMBLY, 92 DUAL POSITION, 1.27 [.050] SERIES.
SIZE: A1
WEIGHT: 00779
DRAWING NO: 145168



THIS DRAWING IS A CONTROLLED DOCUMENT.		DIN R BROWN 6/12/95	Tyco Electronics	Tyco Electronics Corporation Harrisburg, Pa 17105-3608	
DIMENSIONS: mm [INCHES]		CHK M BOWERS 6/12/95		NAME	
TOLERANCES UNLESS OTHERWISE SPECIFIED:		APVD	PRODUCT SPEC		
0 PLC ± -		108-14034		CONNECTOR ASSEMBLY, 92 DUAL POSITION, 1.27 [0.050] SERIES,	
1 PLC ± -		APPLICATION SPEC		RESTRICTED TO	
2 PLC ± 0.25 [.01]		114-26012		SIZE	
3 PLC ± 0.127 [.005]		WEIGHT		CAGE CODE	
4 PLC ± -		A1 00779		DRAWING NO	
ANGLES ± ± °		C=145168		SCALE	
MATERIAL		CUSTOMER DRAWING		SHEET 2 OF 2	
FINISH				REV M1	