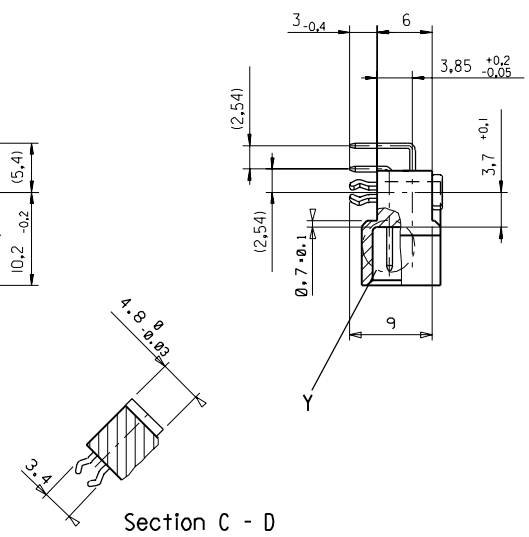
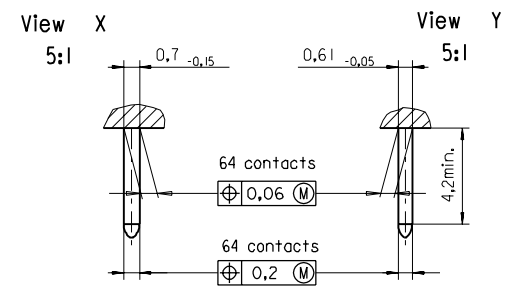
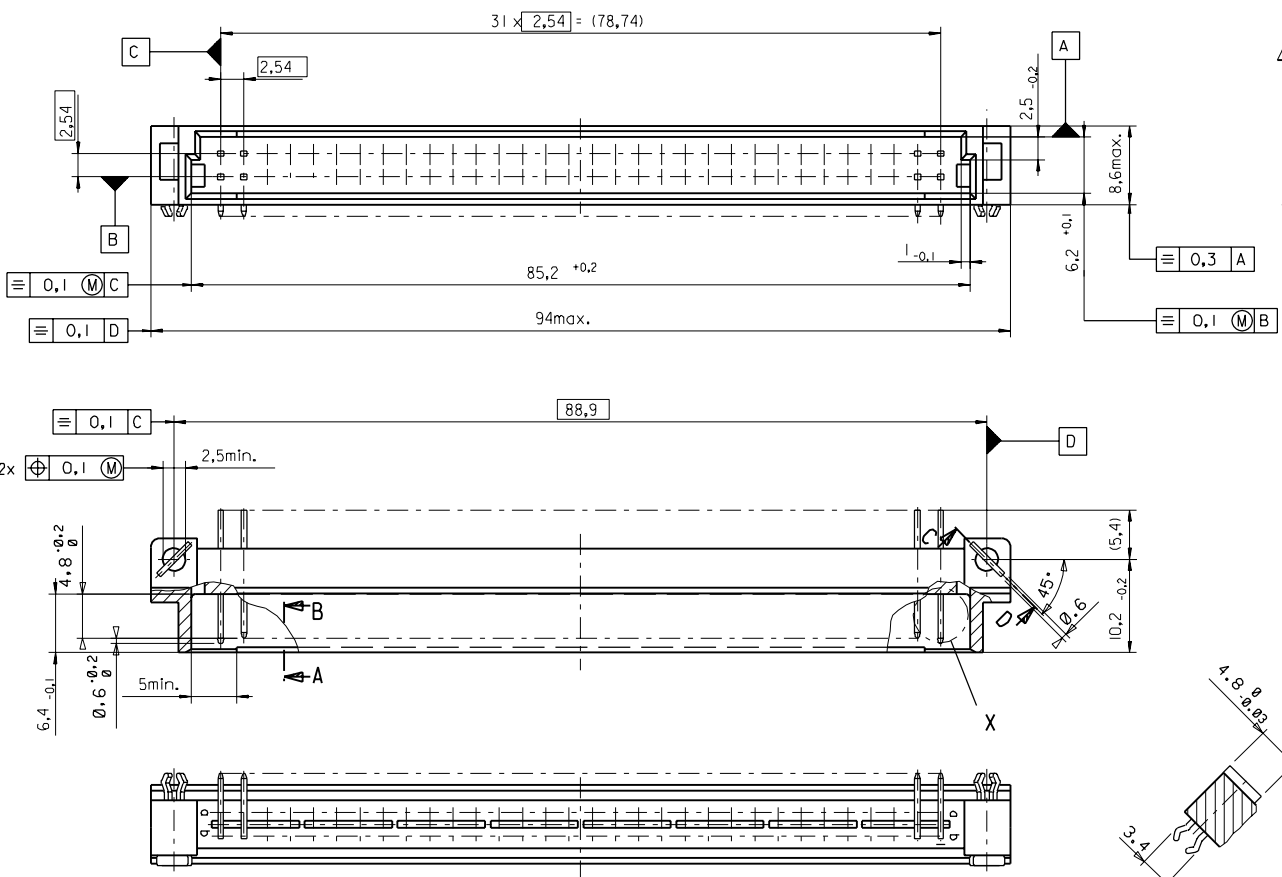
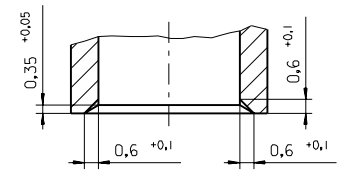


PART NO.  
DWG. NO.



Section A - B  
5:1



|  |   |   |                       |  |      |
|--|---|---|-----------------------|--|------|
| FIRST ANGLE PROJECTION   |   | REVISE ONLY ON CAD SYSTEM                             |                       | SH.  | REV. |
| first release<br>see ECN No. 1887  | REVISIONS<br>FOR PREVIOUS REVISIONS SEE MRI LIST        | UNLESS OTHERWISE SPECIFIED<br>TOLERANCES: ANGULAR ±2° | DRWG BY<br><b>Ca</b>  | CAD/CAM PROJECT NAME<br>85001000<br>611  |      |
|  |   | INCH METRIC   | CHK'D BY<br><b>KN</b> | THIS DRAWING CONTAINS INFORMATION THAT IS PROPRIETARY TO<br>MOLEX INC. & SHOULD NOT BE USED WITHOUT WRITTEN PERMISSION |      |
|  | 3 PLACE ± . ±   |   |                       | TITLE<br><b>64 pos. Male connector<br/>acc. DIN 41612 style B<br/>Dimensions</b>                                       |      |
|  | 2 PLACE ± . ±   |   |                       | SHEET NO. DATE<br>1 OF 95/06/06  |      |
|  | 1 PLACE ± . ±   |   |                       | MOLEX MOLEX EUROPE   |      |
|  | DRAFT WHERE APPLICABLE MUST<br>REMAIN WITHIN DIMENSIONS |   |                       | PART NO. DWG NO. SIZE<br>SDA-85001-0001 B  |      |
|  | DESIGN DIMENSION <input checked="" type="checkbox"/> MM |   | SCALE<br><b>2:1</b>   |  |      |
|  | EQUIVALENT DIMENSION <input type="checkbox"/> MM        |   |                       |  |      |
| IF TWO DIMENSIONS ARE SHOWN THE UPPER IS<br>THE DESIGN DIMENSION, LOWER IS SECONDARY |   |   |                       |  |      |

