

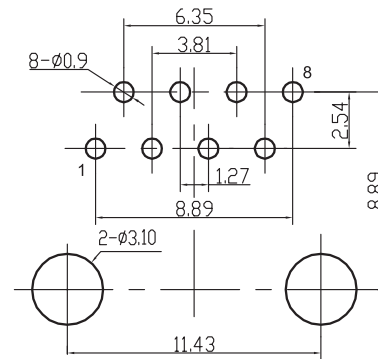
1

2

3

4

5



PCB LAYOUT - COMPONENT VIEW

## TECHNICAL CHARACTERISTICS

MATERIAL  
 INSULATOR MATERIAL: PBT  
 FLAMMABILITY RATING: UL94-V0  
 COLOR: BLACK  
 CONTACT MATERIAL: COPPER ALLOY  
 CONTACT TYPE: STAMPED  
 CONTACT PLATING: GOLD  
 QUALITY CLASS: 500 MATING CYCLES

ENVIRONMENTAL  
 OPERATING TEMPERATURE:  $-40^{\circ}\text{C}$  UP TO  $85^{\circ}\text{C}$   
 COMPLIANCE: LEAD FREE AND ROHS

ELECTRICAL  
 CURRENT RATING: 1.5 A  
 WORKING VOLTAGE: 120 VAC  
 INSULATION RESISTANCE:  $>500\ \text{M}\Omega$   
 DIELECTRIC WITHSTANDING VOLTAGE: 1 000 VAC/MIN  
 CONTACT RESISTANCE: 20 m $\Omega$  MAX

## STANDARD

CERTIFIED: E324776

SOLDERING  
 JEDEC LEAD FREE WAVE SOLDERING PROCESS

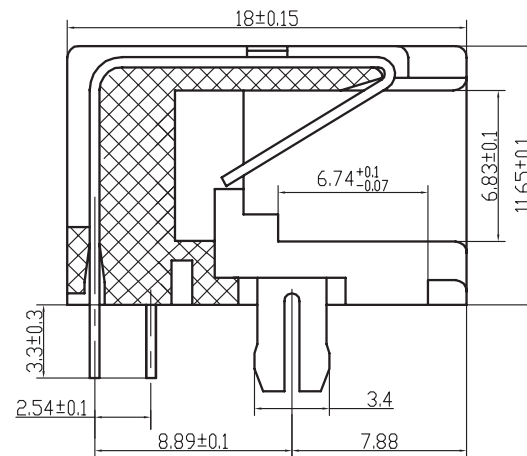
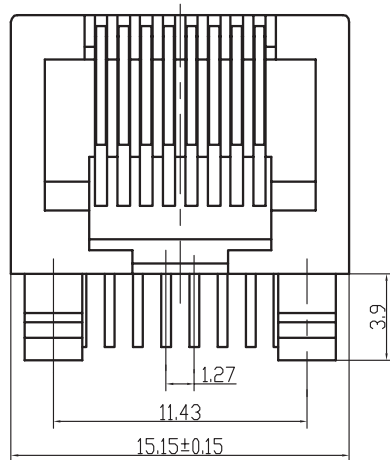
PACKAGING  
 TRAY

A

B

C

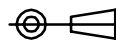
D



## RoHS Compliant

REV	DATE	FILE	BY
A	20-NOV-07	PDF	CH
B	15-FEB-08	MOHM/mOHM UNITS	CH
C	07-OCT-09	UL STANDARD	JP
D	09-JUN-11	HOLE DIMENSION	GG
E	26-SEP-13	TEMP UPDATE	QL
F	03-JAN-14	TPK DIM ADD	QL
G			

PROJECTION:



APPROVAL: RJ

GENERAL TOLERANCE

.X =  $\pm$  0.2.XX =  $\pm$  0.15

UNIT: MM

SCALE:

SHEET: 1/1

DRAW:



DESCRIPTION: HORIZONTAL PLASTIC 8P8C MODULAR JACK TAB DOWN

WERI PART NO: 615 008 137 121

SIZE

A4

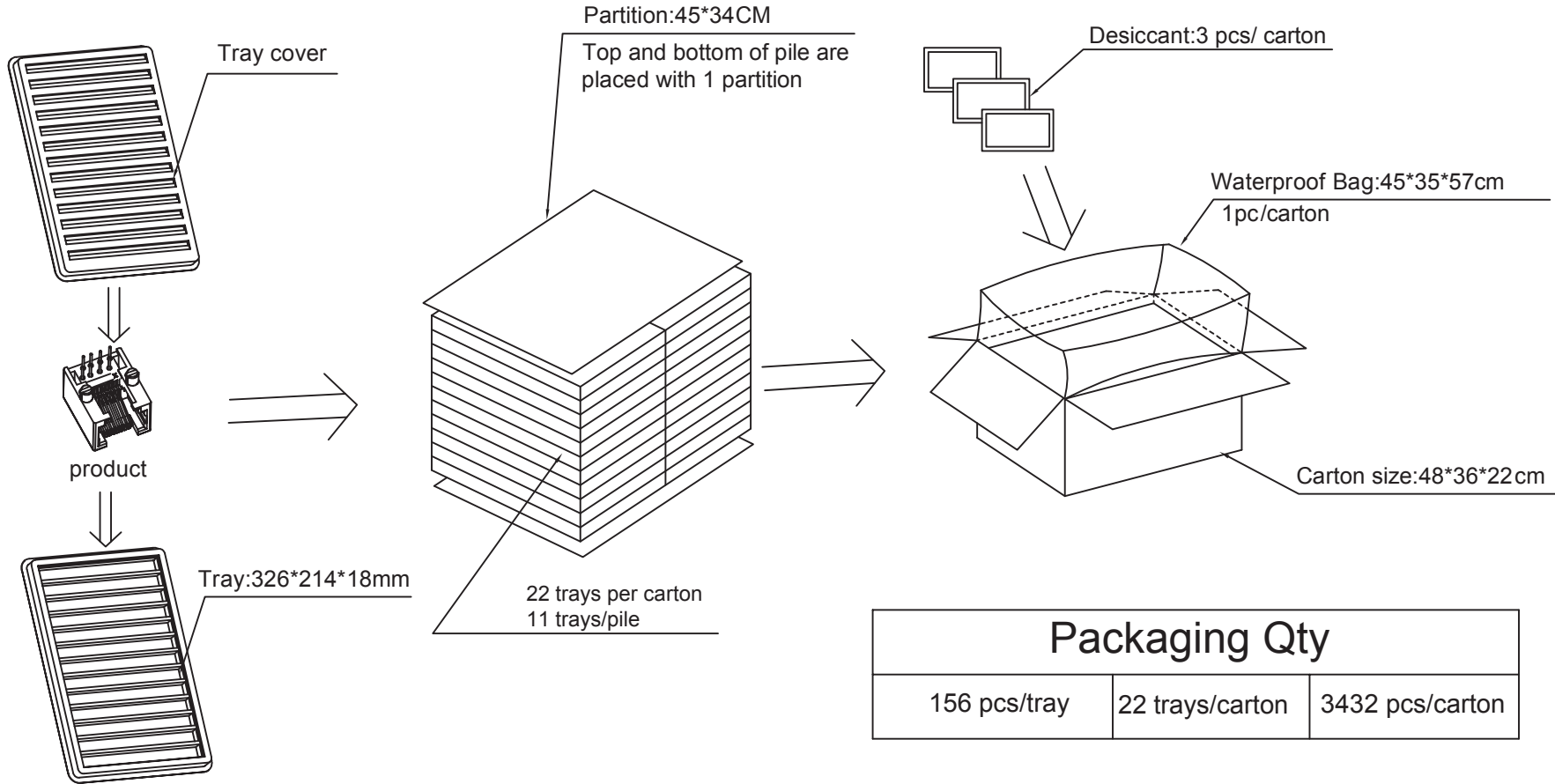
1

2

3

4

5



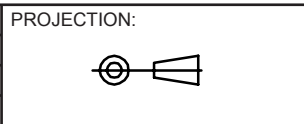
A

B

C

RoHS Compliant

G			
F			
E			
D			
C			
B			
A			
REV	DATE	FILE	BY



GENERAL TOLERANCE

.X = +/- 0.2

.XX = +/- 0.15



APPROVAL: RJ

UNIT: MM

SCALE:

SHEET: 1/1

DRAW:

DESCRIPTION: HORIZONTAL PLASTIC 8P8C MODULAR JACK TAB DOWN

WERI PART NO: 615 008 137 121

SIZE

**A4**

D