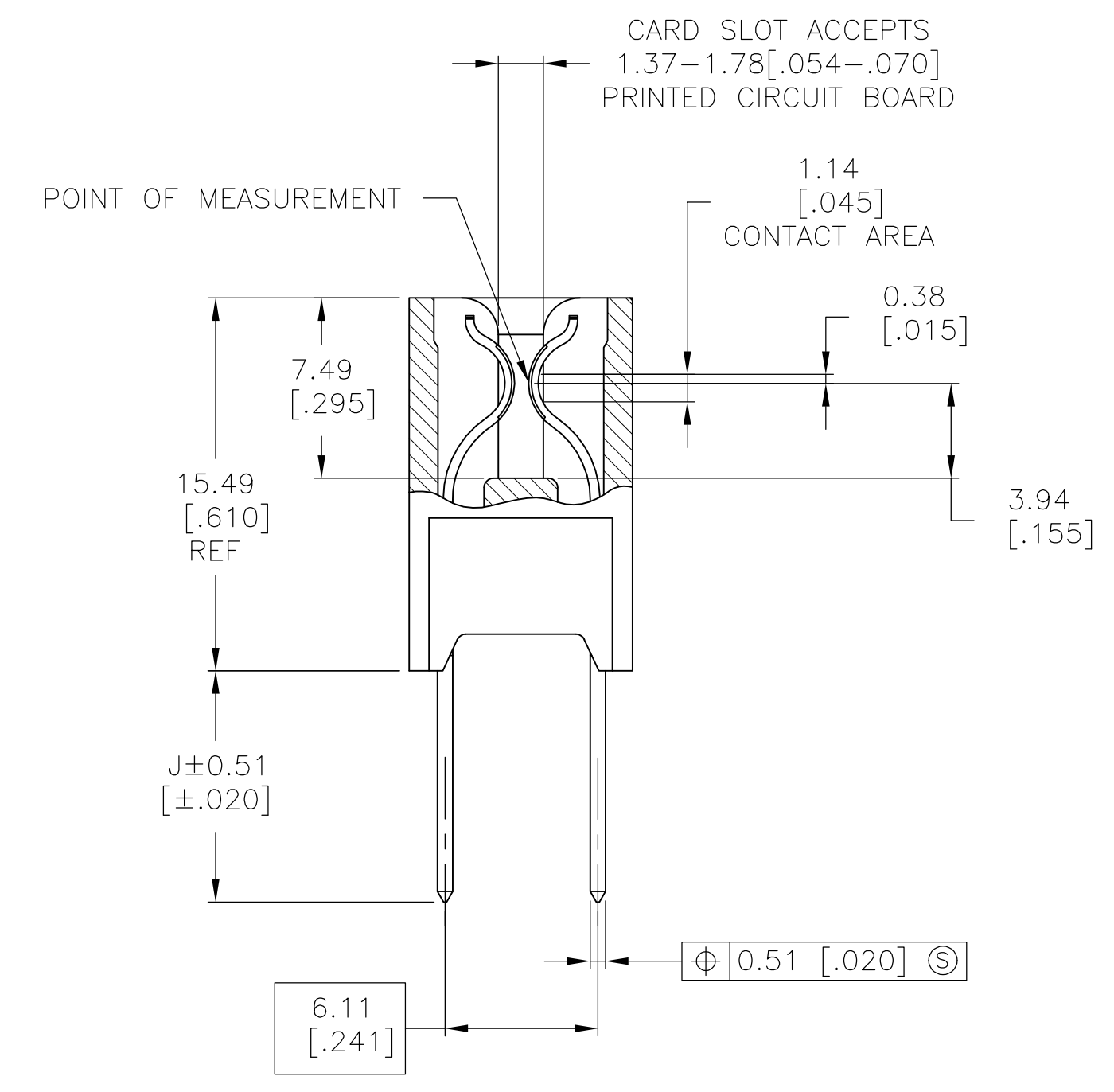
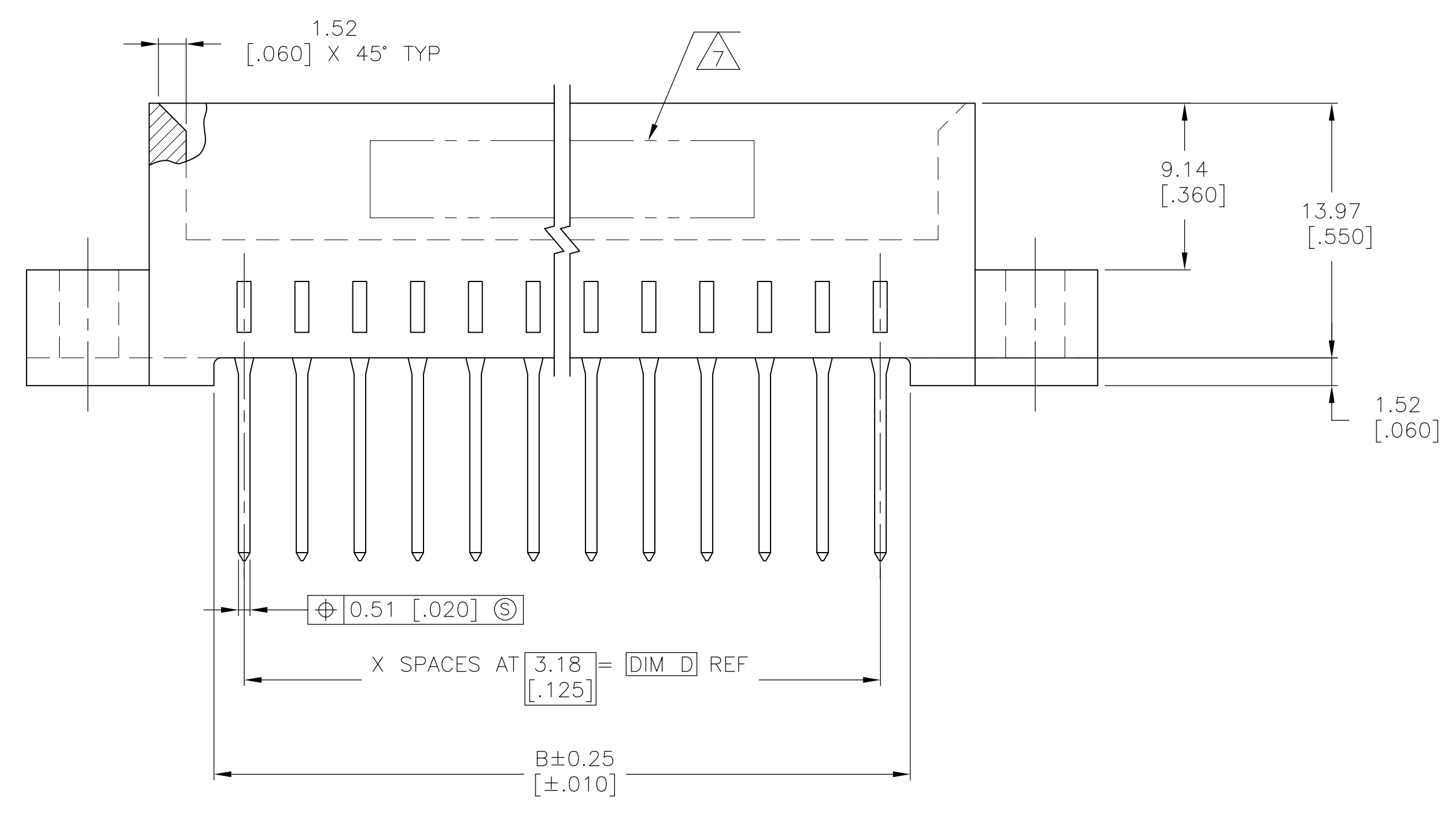
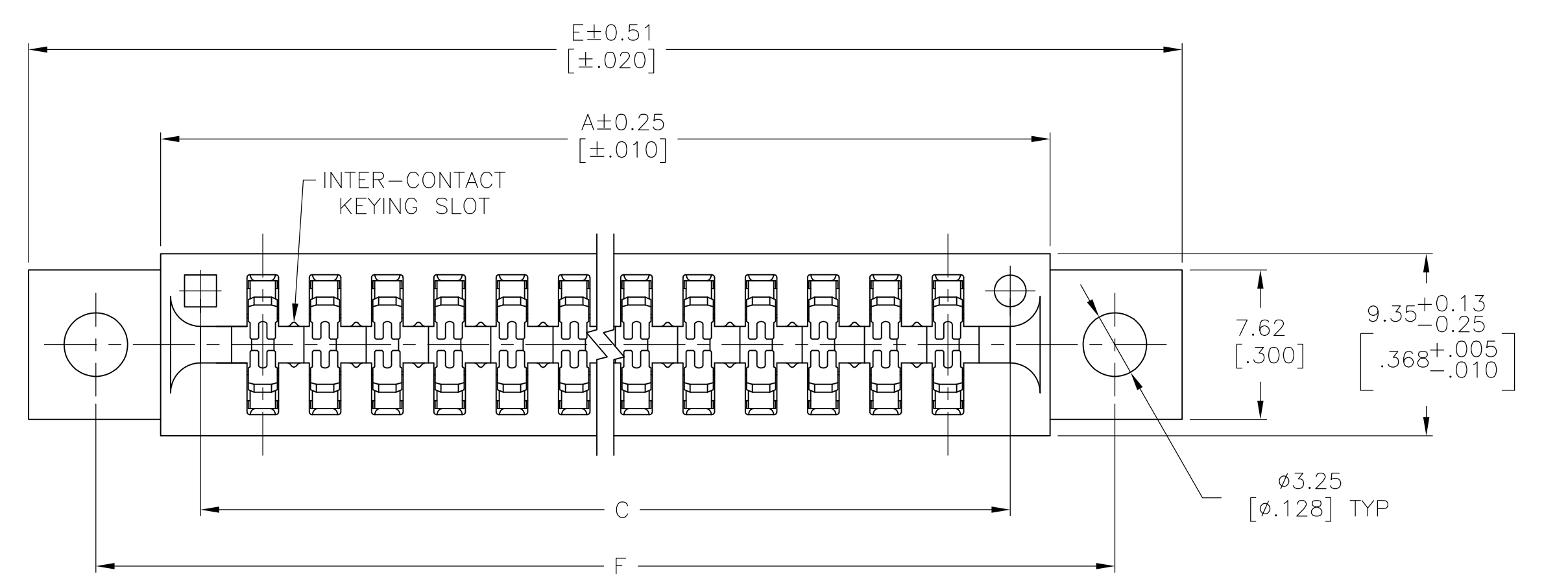


LOC		DIST		REVISIONS			
AD	00	REV	DATE	BY	CHK	APPV	
U	ECO-05-009665		02FEB06	BSV	MM		
U1	REVISED PER ECO-09-027197		08DEC09	KK	AEG		

- 1 HOUSING: GLASS FILLED POLYESTER; COLOR: BLACK.
- 2 CONTACT: PHOSPHOR BRONZE.
- 3 NICKEL UNDERPLATE: 0.00127 [.000050] MIN - ALL OVER.
- 4 TIN-LEAD PLATE: 0.00254 [.000100] MIN - SOLDER POSTS.
- 5 GOLD PLATE: 0.00076 [.000030] MIN - CONTACT AREA.
- 6 NICKEL PLATE PER MIL-G-45204.
GOLD PLATE PER QQ-N-290.
- 7 AMP PART NUMBER AND DATE CODE ARE MARKED IN APPROXIMATE AREA SHOWN, EITHER SIDE.
- 8. RECOMMENDED PCB FINISHED HOLE DIA, 1.07±0.08 [.042±.003].
- 9 MATTE TIN PLATE: 0.00254 [.000100] MIN - SOLDER POSTS.
- 11 OBSOLETE PARTS: OBSOLETE CIS STREAMLINING PER D.RENAUD/D.SINISI



THIS DRAWING IS A CONTROLLED DOCUMENT.		DIN R. SHIREY/UTA 8-10-92	5-11-91		Tyco Electronics Corporation Harrisburg, Pa 17105-3608
DIMENSIONS: mm [INCHES]		CHK J. DIORAZIO 8-10-92	APVD J. DIORAZIO 8-10-92		NAME
TOLERANCES UNLESS OTHERWISE SPECIFIED:		0. PLC ± - 1. PLC ± - 2. PLC ± 0.13 [.005] 3. PLC ± - 4. PLC ± - ANGLES ± -		PRODUCT SPEC 108-9039	APPLICATION SPEC
MATERIAL HOUSING: △ CONTACT: △		FINISH CONTACT: △ △ △ △		SIZE A1	CAGE CODE 00779
CUSTOMER DRAWING		DRAWING NO 530842		RESTRICTED TO	SCALE 4:1 SHEET 1 OF 2 REV U1

OBSELETE	4.75 [.187]	102.74 [4.045]	109.35 [4.305]	85.72 [3.375]	92.08 [3.625]	89.03 [3.505]	96.14 [3.785]	27	28		6-530842-7
OBSELETE	3.18 [.125]	172.59 [6.795]	179.20 [7.055]	155.58 [6.125]	161.92 [6.375]	158.88 [6.255]	165.99 [6.535]	49	50		6-530842-1
OBSELETE	-	-	-	-	-	-	-	-	44		5-530842-4
OBSELETE	-	-	-	-	-	-	-	-	44		5-530842-3
OBSELETE	-	-	-	-	-	-	-	-	60		5-530842-2
OBSELETE	-	-	-	-	-	-	-	-	60		5-530842-1
OBSELETE	-	-	-	-	-	-	-	-	60		5-530842-0
OBSELETE	-	-	-	-	-	-	-	-	60		4-530842-9
OBSELETE	-	-	-	-	-	-	-	-	35		4-530842-8
OBSELETE	-	-	-	-	-	-	-	-	35		4-530842-7
OBSELETE	-	-	-	-	-	-	-	-	50		4-530842-6
OBSELETE	-	-	-	-	-	-	-	-	43		4-530842-5
OBSELETE	-	-	-	-	-	-	-	-	40		4-530842-4
OBSELETE	-	-	-	-	-	-	-	-	36		4-530842-3
OBSELETE	-	-	-	-	-	-	-	-	30		4-530842-2
OBSELETE	4.75 [.187]	102.74 [4.045]	109.35 [4.305]	85.72 [3.375]	92.08 [3.625]	89.03 [3.505]	96.14 [3.785]	27	28		4-530842-1
	J	F	E	D	C	B	A	X	NO OF POSN.		PART NUMBER

OBSELETE	-	-	-	-	-	-	-	-	22		4-530842-0
OBSELETE	-	-	-	-	-	-	-	-	18		3-530842-9
OBSELETE	-	-	-	-	-	-	-	-	15		3-530842-8
OBSELETE	-	-	-	-	-	-	-	-	10		3-530842-7
OBSELETE	-	-	-	-	-	-	-	-	6		3-530842-6
OBSELETE	3.18 [.125]	172.59 [6.795]	179.20 [7.055]	155.58 [6.125]	161.92 [6.375]	158.88 [6.255]	165.99 [6.535]	49	50		3-530842-5
OBSELETE	-	-	-	-	-	-	-	-	43		3-530842-4
OBSELETE	-	-	-	-	-	-	-	-	40		3-530842-3
OBSELETE	-	-	-	-	-	-	-	-	36		3-530842-2
OBSELETE	-	-	-	-	-	-	-	-	30		3-530842-1
OBSELETE	3.18 [.125]	102.74 [4.045]	109.35 [4.305]	85.72 [3.375]	92.08 [3.625]	89.03 [3.505]	96.14 [3.785]	27	28		3-530842-0
OBSELETE	-	-	-	-	-	-	-	-	22		2-530842-9
OBSELETE	-	-	-	-	-	-	-	-	18		2-530842-8
OBSELETE	3.18 [.125]	61.47 [2.420]	68.07 [2.680]	44.45 [1.750]	50.80 [2.000]	47.75 [1.880]	54.86 [2.160]	14	15		2-530842-7
OBSELETE	-	-	-	-	-	-	-	-	10		2-530842-6
OBSELETE	-	-	-	-	-	-	-	-	6		2-530842-5
OBSELETE	-	-	-	-	-	-	-	-	35		2-530842-4
OBSELETE	-	-	-	-	-	-	-	-	35		2-530842-3
SUPERSEDED BY 1-530842-1	4.75 [.187]	172.59 [6.795]	179.20 [7.055]	155.98 [6.125]	161.92 [6.375]	158.88 [6.255]	165.99 [6.535]	49	50		2-530842-2
OBSELETE	-	-	-	-	-	-	-	-	43		2-530842-1
OBSELETE	-	-	-	-	-	-	-	-	40		2-530842-0
OBSELETE	4.75 [.187]	128.14 [5.045]	134.75 [5.305]	111.12 [4.375]	117.48 [4.625]	114.43 [4.505]	121.54 [4.785]	35	36		1-530842-9
OBSELETE	-	-	-	-	-	-	-	-	30		1-530842-8
OBSELETE	4.75 [.187]	102.74 [4.045]	109.35 [4.305]	85.72 [3.375]	92.08 [3.625]	89.03 [3.505]	96.14 [3.785]	27	28		1-530842-7
OBSELETE	4.75 [.187]	83.69 [3.295]	90.30 [3.555]	66.68 [2.625]	73.02 [2.875]	69.98 [2.755]	77.09 [3.035]	21	22		1-530842-6
OBSELETE	-	-	-	-	-	-	-	-	18		1-530842-5
OBSELETE	-	-	-	-	-	-	-	-	15		1-530842-4
OBSELETE	-	-	-	-	-	-	-	-	10		1-530842-3
OBSELETE	-	-	-	-	-	-	-	-	6		1-530842-2
OBSELETE	3.18 [.125]	172.59 [6.795]	179.20 [7.055]	155.58 [6.125]	161.92 [6.375]	158.88 [6.255]	165.99 [6.535]	49	50		1-530842-1
OBSELETE	-	-	-	-	-	-	-	-	43		1-530842-0
OBSELETE	-	-	-	-	-	-	-	-	40		530842-9
OBSELETE	-	-	-	-	-	-	-	-	36		530842-8
OBSELETE	-	-	-	-	-	-	-	-	30		530842-7
OBSELETE	-	-	-	-	-	-	-	-	28		530842-6
OBSELETE	-	-	-	-	-	-	-	-	22		530842-5
OBSELETE	-	-	-	-	-	-	-	-	18		530842-4
OBSELETE	-	-	-	-	-	-	-	-	15		530842-3
OBSELETE	-	-	-	-	-	-	-	-	10		530842-2
OBSELETE	-	-	-	-	-	-	-	-	6		530842-1
	J	F	E	D	C	B	A	X	NO OF POSN.		PART NUMBER

THIS DRAWING IS A CONTROLLED DOCUMENT. DIMENSIONS: mm [INCHES]. TOLERANCES UNLESS OTHERWISE SPECIFIED: 0 PLC ±, 1 PLC ±, 2 PLC ± 0.13 [005], 3 PLC ±, 4 PLC ±. ANGLES ±.

APPROVED: J. DIORAZIO, 8-10-92. DRAWING NO: 108-9039. APPLICATION SPEC. WEIGHT: -. SCALE: 4:1. SHEET 2 OF 2. REV U1.

tyco Electronics Corporation, Harrisburg, Pa 17105-3608. CONNECTOR ASSEMBLY, STANDARD EDGE II, 3.18 [.125] CL.