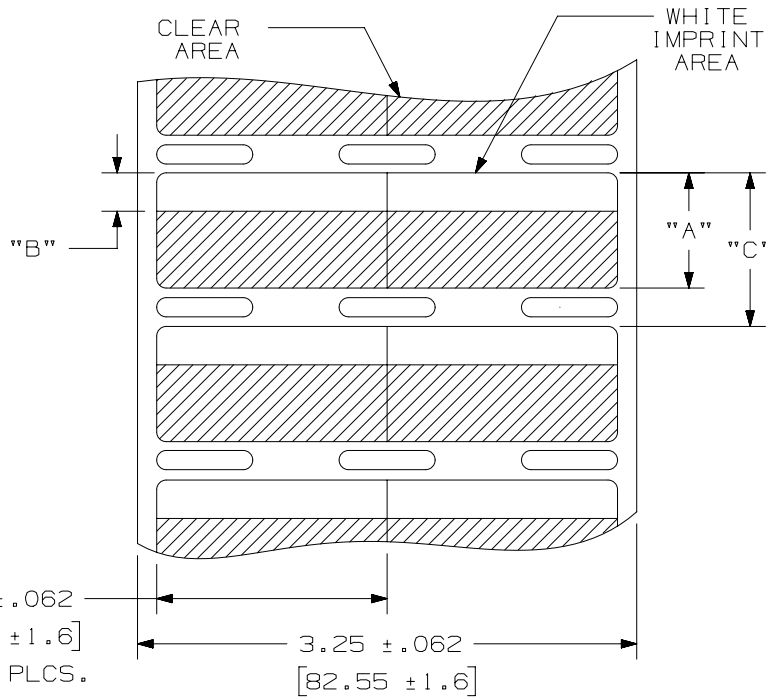


THIS COPY IS PROVIDED ON A RESTRICTED BASIS AND IS NOT TO BE USED IN ANY WAY DETRIMENTAL TO THE INTERESTS OF PANDUIT CORP.

PART NUMBER	MATERIAL	"A" HEIGHT +/- .062	IMPRINT AREA "B" +/- .062	VERTICAL REPEAT "C" +/- .062	LABELS PER ROW	STANDARD PKG. QTY.
S150X150VATY	GMV16 OR GMV17	1.50 [ 38.1 ]	0.50 [ 12.7 ]	1.75 [ 44.45 ]	2	5000
S150X225VATY		2.25 [ 57.2 ]	0.75 [ 19.1 ]	2.50 [ 63.5 ]		2500
S150X400VATY		4.00 [ 101.6 ]	1.00 [ 25.4 ]	4.25 [ 108.0 ]		



NOTE:  
1. MILLIMETER ARE IN [ ].

REV	DATE	BY	CHK	APR	DESCRIPTION	ECN
9	8/11/16	RVU	SEWH	JHAC	4.25 [108.0] WAS 4.25 [114.3].	GAECN03563
8	9/25/13	RVU	SEWH	MSAD	2500 WAS 5000 FOR S150X400VATY ONLY.	GAECN01219
7	####	RVU	SEWH	MSAD	REMOVE PN, S150X225TAT.	GAECN01163
6	10/25/11	RVU		MSAD	"GMV16 OR GMV17" WAS "GMV".	6548

TITLE		S150X***VATY OPTIMUM SELF-LAMINATING THERMAL TRANSFER PRINTABLE LABELS CUSTOMER DRAWING		
ITEM REVISION NAME		100701MV/11		
DATASET FILE NAME		100701MV_DC_C10438/11K		
UNLESS OTHERWISE SPECIFIED, DIMENSIONAL TOLERANCES ARE: IN [ mm ]		MATERIAL:		
.x ± .12 [ 3.04 ] .xxx ± .025 [ .635 ] .xx ± .062 [ 1.57 ] ANGLES ±		SEE TABLE		
DRAWING NUMBER:		C10438		
DRAWN BY	DATE	CHK	SCALE	SIZE
RVU	8/4/06	MSAD	NTS	A
SHT 1 OF 1				

D10100DA/16