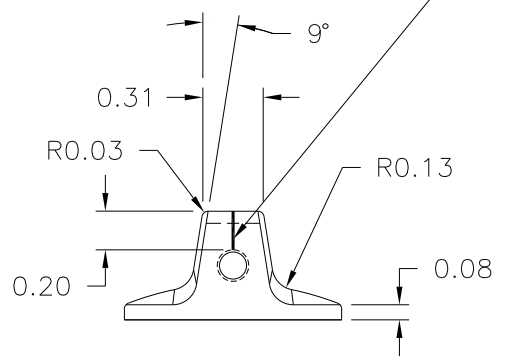
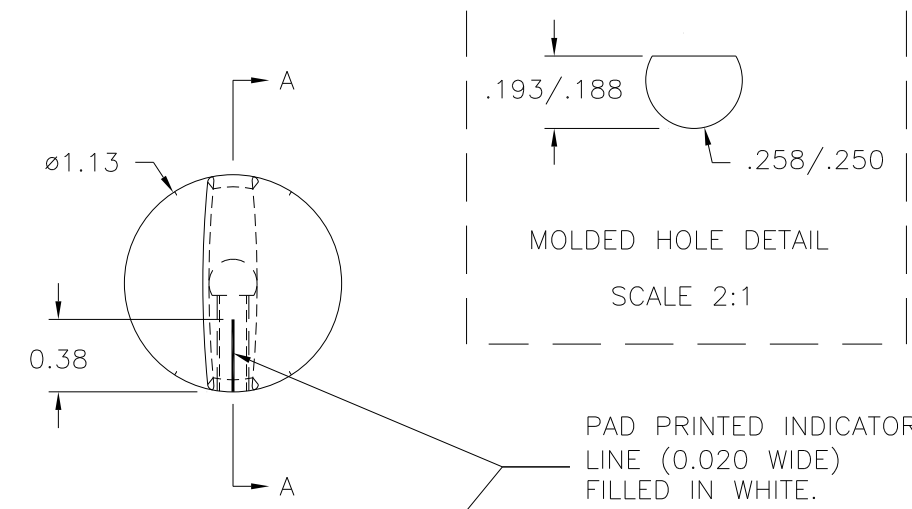


PART NAME: KNOB    SCALE: 1:1    DATE: 8/22/01    DR. BY JAM

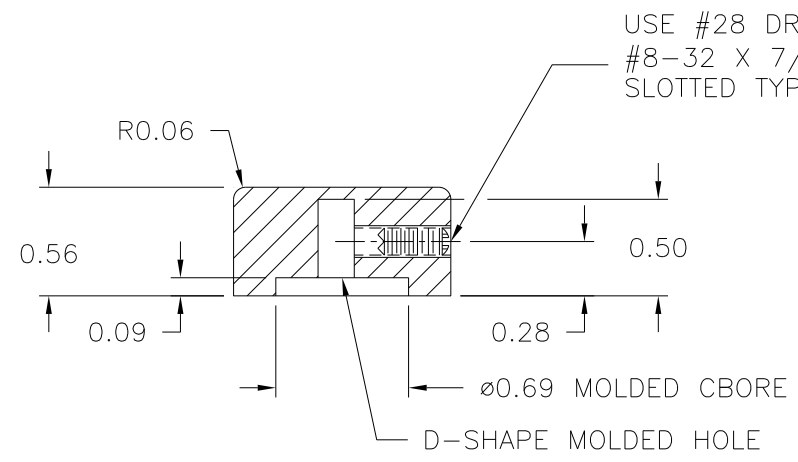
DAVIES MOLDING COMPANY  
CAROL STREAM, ILLINOIS 60188

P/N 1500BS  
BASE PART 1500-09  
SET SCREW I0022

THIS DRAWING IS THE PROPERTY OF DAVIES MOLDING COMPANY, IS SUBMITTED SOLELY AS A DESIGN OR ENGINEERING PROJECT. WE ACCEPT NO RESPONSIBILITY WHATSOEVER FOR THE PRACTICAL APPLICATION OF THE PIECES MADE TO THIS DESIGN.



PAD PRINTED INDICATOR  
LINE (0.020 WIDE)  
FILLED IN WHITE.



SECTION A-A

MATERIAL: #2311 PLENCO PHENOLIC (B11)  
COLOR: BLACK

TOLERANCES: UNLESS OTHERWISE SPECIFIED	DO NOT SCALE DRAWING			
DECIMALS: X.XXX ± .005 X.XX ± .015	MM: X.XX ± 0.15MM X.X ± 0.4MM	-	WAS SK1500-01	JAM 8/22/01
FRACTIONS ± 1/64	ANG. ± 1°	CHANGES		