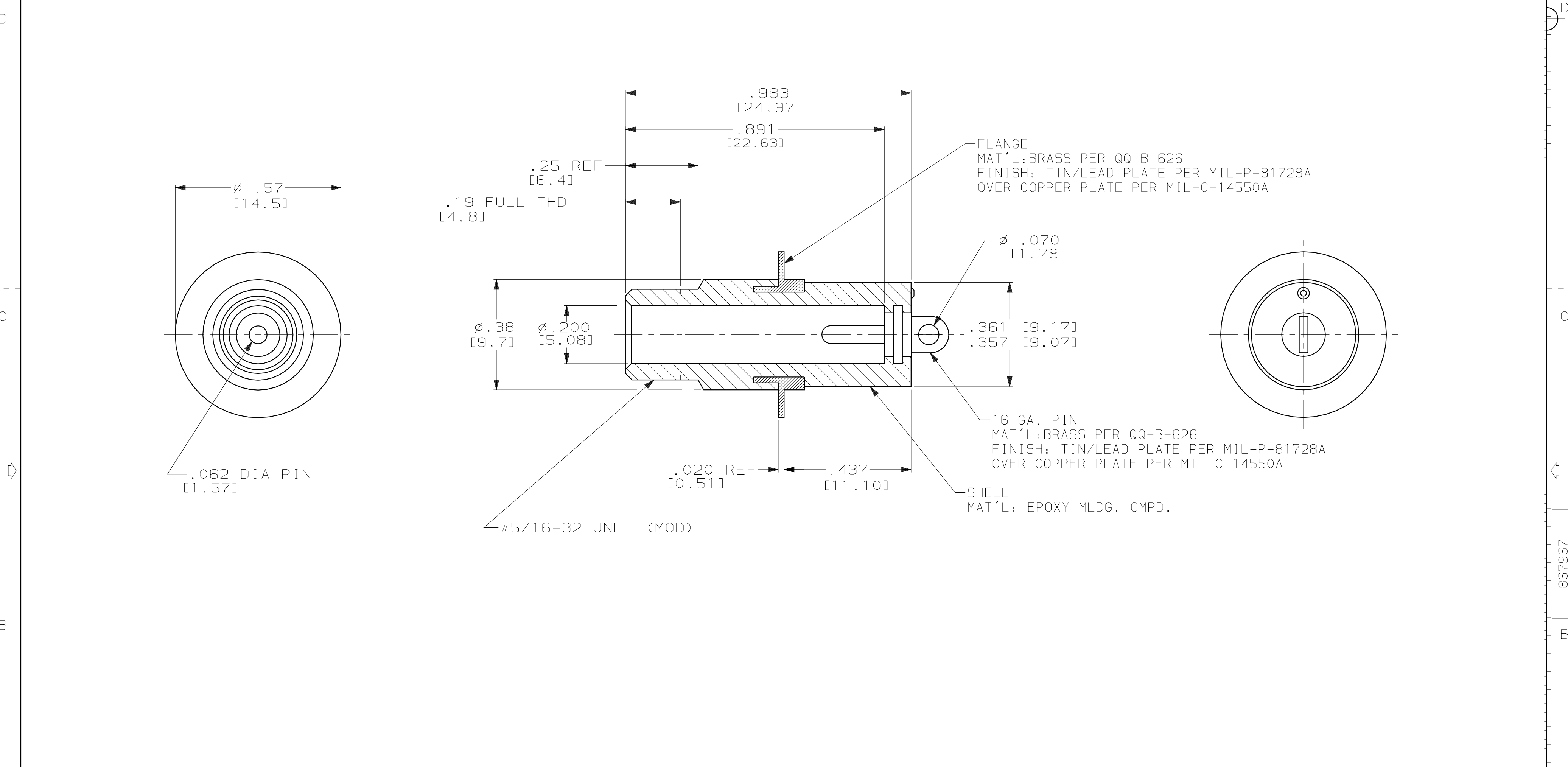


THIS DRAWING IS UNPUBLISHED. RELEASED FOR PUBLICATION
 © COPYRIGHT 19 BY AMP INCORPORATED. ALL INTERNATIONAL RIGHTS RESERVED.

PROD CODE	LOC	DIST	P	F	ZONE	LTR	DESCRIPTION	DATE	APPD
4087	DF	50				B	REACTIVATE & REDRAW; DF-5127 CT	11-91	JM



1. THIS UNIT HERMETICALLY SEALED
2. ONE ITEM PACKED PER BAG WITH TAG.
3. SPECIAL HANDLING REQUIREMENTS (SEE TABULATION) TAG DATA:

AMP INC (00779)
 AMP PART NO.
 CUST. PART NO.
 QTY (1)
 DO NOT OPEN
 UNTIL READY FOR USE

301-0002-130	867967-1
CUST. PART NO.	PART NO.

DO NOT SCALE PRINT. UNLESS SPECIFIED DIMENSIONS IN INCHES [mm] TOLERANCES ON : 2 PLC DEC $\pm .01$ [0.3] 3 PLC DEC $\pm .005$ [0.13] ANGLES $\pm -$	DR 11-11-91 C.C.THOMAS	AMP Incorporated Harrisburg, PA 17105-3608
	CHK 11-12-91 J.MONTGOMERY	
MATERIAL SEE CALLOUTS	APPD 11-12-91 J.MONTGOMERY	NAME FLANGED RECEPTACLE, LGH-1/2L
	APPD 11-12-91 C.THOMAS	PRODUCT SPEC -
FINISH SEE CALLOUTS	APPLICATION SPEC -	SIZE C 00779
	WEIGHT -	CAGE CODE 00779
		DRAWING NO 867967
		SCALE 4:1
		SHEET 1 OF 1