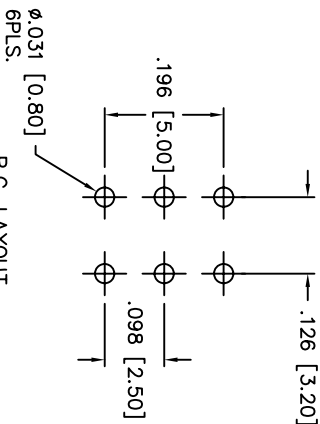
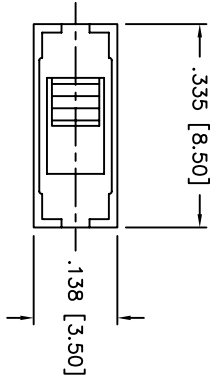
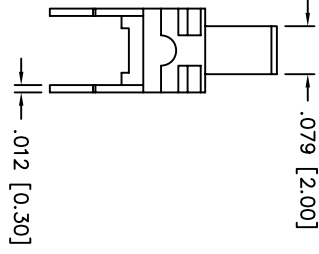
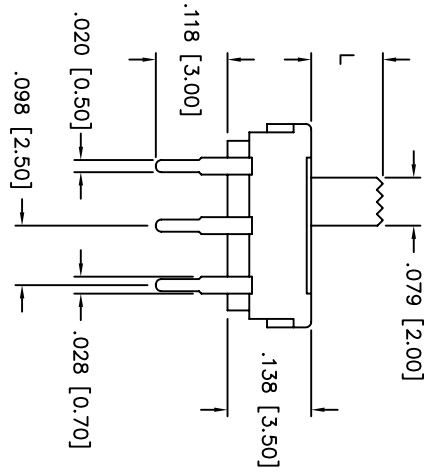


THIS DOCUMENT IS THE PROPERTY OF APDM COMPONENTS AND SHALL NOT BE COPIED, REPRODUCED, DISCLOSED OR SALE WITHOUT PERMISSION OF A DULY AUTHORIZED REPRESENTATIVE OF APDM COMPONENTS INC.

DATE	SYM	REVISION RECORD	DWNL	CK
1/00	A	ECO# 284	DMD	



P.C. LAYOUT  
TOLERANCES UNLESS OTHERWISE NOTED ARE ±.002 [0.50].

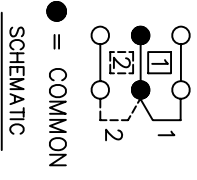


DESCRIPTION : SINGLE POLE DOUBLE THROW,  
MICRO MINIATURE SWITCH.

SPECIFICATIONS:

CONTACT RATING: 300 mA @ 6 VDC.  
INITIAL CONTACT RESISTANCE: 60 MOHMS MAX.  
INSULATION RESISTANCE: 100 MOHMS @ 100 VDC.  
DIELECTRIC STRENGTH: 100 VAC FOR 1 MIN.  
ELECTRICAL LIFE: 5,000 CYCLES MIN.  
OPERATING TEMPERATURE RANGE: -20°C TO +70°C.  
SOLDER HEAT RESISTANCE: 350°C MAX.  
FOR 3 SECONDS.  
TRAVEL/THROW: .079 [2.00].  
ACTUATION FORCE: 200±150gf

PART NUMBER	DIM 'L'
MHSS1104	.079 [2.00]
MHSS1104A	.173 [4.40]
MHSS1104B	.256 [6.50]



Q.A. INSECT: DESIGNATES CRITICAL DIMENSION

TOLERANCES (UNLESS OTHERWISE SPECIFIED):  
XXX = ±.002 [0.50]  
XXXX = ±.0008 [0.20]  
ANGLE = 40.5°

APDM  
APDM COMPONENTS INC.  
63 NECK RD. HA 01835  
HOVERSHILL MA 01835  
TEL: 508-272-5954 FAX: 508-272-5954

REV. JMR

DATE	DRAWING NO.
7/19/94	B7185

DO NOT SCALE FROM SIZE

1 2 3 4 5 6 7 8