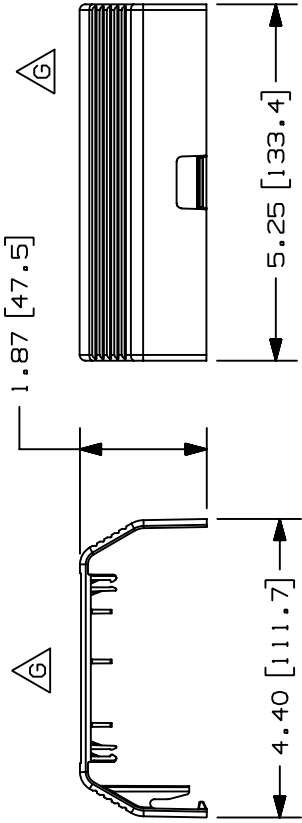


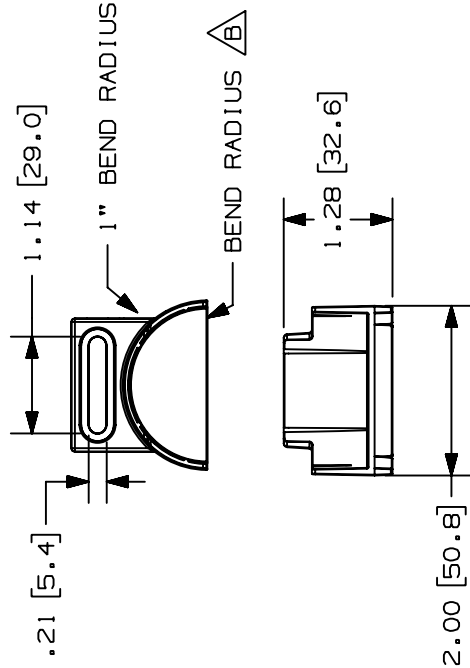
THIS COPY IS PROVIDED ON A RESTRICTED BASIS AND IS NOT TO BE USED IN ANY WAY DETRIMENTAL TO THE INTERESTS OF PANDUIT CORP.



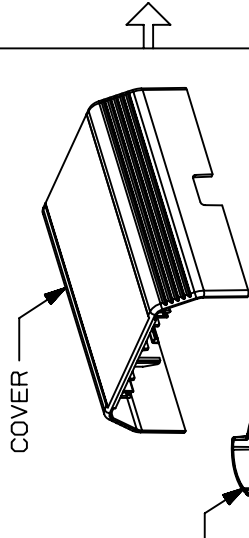
PANDUIT P/N	WEIGHT
T70TRC	.179 LBS/PC (107.16 g/PC)



- NOTES:
- SEE CURRENT CATALOG FOR ADDITIONAL PART SUFFIXES TO INDICATE COLOR AND OR PACKAGE QUANTITY.
 - THIS PRODUCT IS INTENDED TO BE USED WITH PANDUIT TYPE LDS, LDP, LD, PD, T70, AND T45 RACEWAYS.
 - DIMENSIONS IN PARENTHESES ARE IN METRIC.



COVER



INSERT



CAD FILENAME/LAYERS D35541CX_DC_T70TRC_04A.prt

PANDUIT		CORP. TINLEY PARK, ILLINOIS					
T-70 TRANSITION COVER WITH BEND RADIUS (T70TRC)		CUSTOMER DRAWING					
UNLESS OTHERWISE SPECIFIED, DIMENSIONAL TOLERANCES ARE: (.X) ± (.XXX) ± (.XX) ± (.031.8) ANGLES ±		UNLESS OTHERWISE SPECIFIED, ALL DIMENSIONS ARE GIVEN IN INCHES, THIRD ANGLE PROJECTION.					
DRAWN BY	PM	MAT'L:	NONE				
DATE	10-07-96	DRAWING NO.	35541-50				
CHECKED BY	CEF	SCALE	A				
REV	DATE	BY	CHK	ECN	CHK	CUST	SUP
5	05-18-04	JBN	BKR	-----	-----	-----	-----
				K. REVISED WEIGHT PER PC: WAS PER 10 PCS			
				J. REVISED NOTE #2			
				I. REVISED CAD FILE NAME			
4	01-13-00	JHNU	BKR	35541-50	H1W	H1W	H1W
				H. ADDED T70 AND T45 TO NOTE 2			
				G. REVISED GEOMETRY FOR T45 BREAKOUT			
3	12-17-98	JHNU	H1W	-----	-----	-----	-----
				F. 1.79 LB WAS 1.63LB, 107166 WAS 97426			
				E. PVC WAS ABS/POLYCARBONATE			
				D. T-70 WAS T70			
2	06-22-98	DW	CEF	35541-50	CEF	CEF	CEF
				C. TITLE WAS SINGLE 70 TRANSITION			
				B. ADDED TRANSITION BEND RADIUS			
1	10-18-96	PM	CEF	35541-50	CEF	CEF	CEF
				A. REVISED BREAKOUT GEOMETRY			
R	10-07-96	PM	CEF	35541-50	CEF	CEF	CEF
				RELEASED TO PRODUCTION			
REV	DATE	BY	CHK	DESCRIPTION	ECN	CHK	SUP