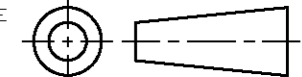


DO NOT SCALE
DIMENSIONS IN mm

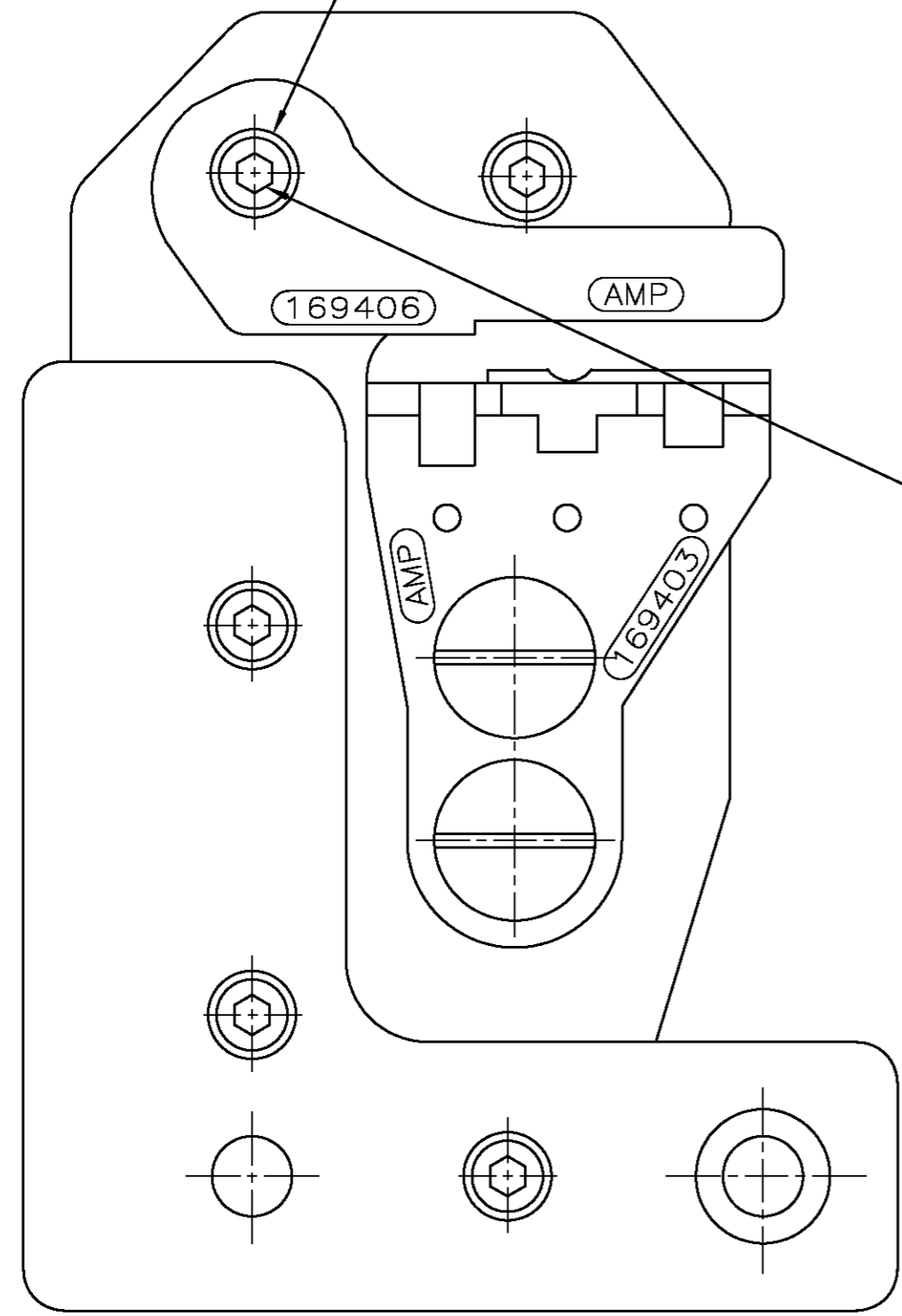
METRIC

THIRD ANGLE PROJECTION 

P	LTR	DESCRIPTION	DATE	DWN	APVD
	A	ECR-09-008719	16.04.09	PD	LB

Distanzbuchse als Ersatzteil erhältlich
TE P/N 2-1579025-8
Spacer bushing as spare part available
TE P/N 2-1579025-8

Linsenschraube als Ersatzteil erhältlich
TE P/N 0-0519151-9
Spacer bushing as spare part available
TE P/N 0-0519151-9



SCALE 2:1

<p>CUSTOMER DRAWING</p> <p>FOR REFERENCE ONLY WILL NOT BE UPDATED</p>	<p>BLACK FINISH</p>	<p>STEEL MATERIAL</p>	<p>169411-0 PARTNUMBER</p>
	<p>AMP</p>		<p>AMP-HOLLAND B.V. 's-Hertogenbosch, The Netherlands.</p>
	<p>THIS DRAWING IS UNPUBLISHED. RELEASED FOR PUBLICATION, 19</p>		
	<p>© COPYRIGHT 19 - BY AMP-HOLLAND B.V. ALL INTERNATIONAL RIGHTS RESERVED. AMP PRODUCTS MAY BE COVERED BY U.S. AND FOREIGN PATENTS AND/OR PATENTS PENDING.</p>		
<p>DR. P.BEIJNON</p>	<p>DATE 12-05-89</p>	<p>WIRE RANGE -</p>	<p>NAME HEAD</p>
<p>CHK. R.VOS</p>	<p>DATE -</p>	<p>INSUL.RANGE -</p>	<p>REV.DATE D M Y 12 05 89</p>
<p>APP. L.V.SOEST</p>	<p>DATE -</p>	<p>SIZE A3</p>	<p>SHEET 1 OF - DWG. No. 169411</p>
			<p>REV.LTR. A</p>

8 7 6 5 4 3 2 1