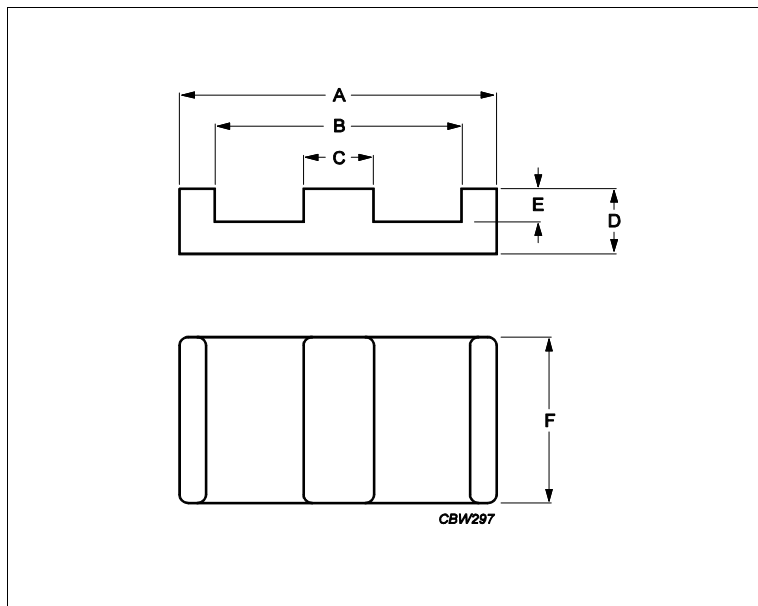
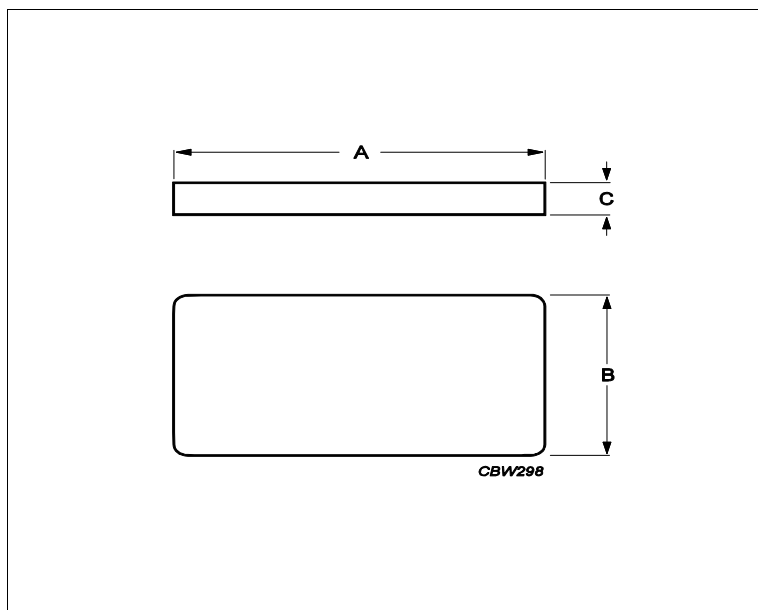


## Core **E64/10/50 + PLT64/50/5**



Effective parameters			
	Parameter	Value	Unit
$\Sigma(I/A)$	core factor (C1)	0.136	mm <sup>-1</sup>
<b>Ve</b>	effective volume	35500	mm <sup>3</sup>
<b>Le</b>	effective length	69.7	mm
<b>Ae</b>	effective area	519	mm <sup>2</sup>
<b>Amin</b>	minimum area	519	mm <sup>2</sup>
<b>m</b>	E64/10/50	≈ 100	g/pcs
<b>m</b>	PLT64/50/5	≈ 78	g/pcs



Dimensions for product: E64/10/50						
	Nom	Tol +	Tol -	Max	Min	Unit
<b>A</b>	64.00	1.30	1.30	65.30	62.70	mm
<b>B</b>	53.80	1.10	1.10	54.90	52.70	mm
<b>C</b>	10.20	0.20	0.20	10.40	10.00	mm
<b>D</b>	10.20	0.13	0.13	10.33	10.07	mm
<b>E</b>	5.10	0.13	0.13	5.23	4.97	mm
<b>F</b>	50.80	1.00	1.00	51.80	49.80	mm
Dimensions for product: PLT64/50/5						
	Nom	Tol +	Tol -	Max	Min	Unit
<b>A</b>	64.00	1.30	1.30	65.30	62.70	mm
<b>B</b>	50.80	1.00	1.00	51.80	49.80	mm

## Core **E64/10/50 + PLT64/50/5**

Dimensions for product: PLT64/50/5						
	Nom	Tol +	Tol -	Max	Min	Unit
<b>C</b>	5.08	0.13	0.13	5.21	4.95	mm

Inductance factor					
Material	Value	Tol +	Tol -	Unit	
3C92	12700	25%	25%	nH/turns <sup>2</sup>	
3C95	18500	25%	25%	nH/turns <sup>2</sup>	
3C96	15050	25%	25%	nH/turns <sup>2</sup>	
3C97	18500	25%	25%	nH/turns <sup>2</sup>	
3F36	9800	25%	25%	nH/turns <sup>2</sup>	
3F4	7500	25%	25%	nH/turns <sup>2</sup>	

Power loss: 3C92				
Measuring conditions			Max	Unit
100 kHz	200 mT	100 °C	18.000	W/set

Power loss: 3C95				
Measuring conditions			Max	Unit
100 kHz	200 mT	100 °C	17.000	W/set
100 kHz	200 mT	25 °C	18.000	W/set

Power loss: 3C96				
Measuring conditions			Max	Unit
100 kHz	200 mT	100 °C	16.000	W/set
400 kHz	50 mT	100 °C	8.200	W/set

Power loss: 3C97				
Measuring conditions			Max	Unit
100 kHz	200 mT	60 °C	18.000	W/set
100 kHz	200 mT	120 °C	17.000	W/set
100 kHz	200 mT	140 °C	21.000	W/set

Power loss: 3F36				
Measuring conditions			Max	Unit
500 kHz	50 mT	100 °C	6.500	W/set
500 kHz	100 mT	100 °C	45.000	W/set

Power loss: 3F4				
Measuring conditions			Max	Unit
1000 kHz	30 mT	100 °C	12.000	W/set
3000 kHz	10 mT	100 °C	19.000	W/set

Bsat					
Measuring conditions			Material	Min	Unit
25 kHz	250 A/m	100 °C	3C92	370	mT
25 kHz	250 A/m	100 °C	3C95	330	mT
25 kHz	250 A/m	100 °C	3C96	340	mT

---

Core **E64/10/50 + PLT64/50/5**

---

25 kHz	250 A/m	100 °C	3C97	330	mT
25 kHz	250 A/m	100 °C	3F36	340	mT
25 kHz	250 A/m	100 °C	3F4	330	mT