

SUMMARY



Image is for illustrative purpose only

Wires

| | |
|---------|---|
| Low | 8 |
| High | 0 |
| Coax | 0 |
| Triax | 0 |
| Quad | 0 |
| Fiber | 0 |
| Fluidic | 0 |

Download

[Request a quote](#)

[Catalog](#)

| | |
|------------------|----------------|
| Series | P |
| Termination type | Female solder |
| IP rating | 50 |
| Cable Ø | 0.00 - 0.00 mm |
| Matching parts | |
| Status | |
| Alternative part | |

TECHNICAL DETAILS

Mechanics

| | |
|-------------------|---|
| Shell Style/Model | PK*: |
| Keying | 1 key (alpha=0; Plug: male contact; Receptacle: female contact) |
| Housing Material | PEI (Polyetherimide), gray |
| Cable Fixing | ∅ 0 - 0 mm |
| Variant | G : Gray front nut |

Performance

| | |
|---------------|------------------------|
| Configuration | 1P.M08 : 8 Low Voltage |
| Insulator | |
| Rated Current | 5 Amps |

Specifications

| | |
|--------------------------|-------------------------------|
| Contact Type: | Solder |
| Max. Matings: | 2000 |
| Contact Dia.: | 0.7 mm (0.0275in) |
| Bucket Dia.: | 0.6 mm (0.024in) |
| Max. Solid Conductor: | 0.14 mm ² (AWG 26) |
| Max. Stranded Conductor: | 0.14 mm ² (AWG 26) |

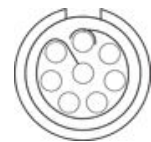
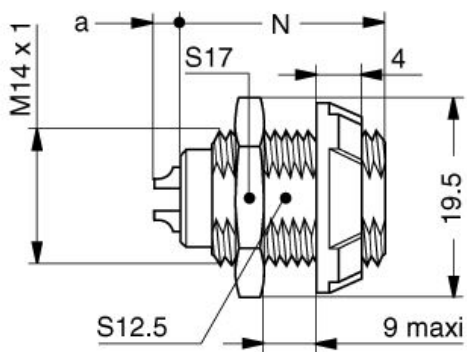
R (max): 6.5 mOhm
 Test voltage (kV rms) Contact-contact: 1.05
 Air clearance min. (mm) or Creepage distance min. (mm): 0.6

Others

F ret (min): 50 N
 F ret (max): 150 N
 IP Rating: 50

DRAWINGS

Draws



Dimensions

| | A | Lmax | N |
|-----|------|------|------|
| mm. | 19.5 | 25 | 20.5 |
| in. | 0,77 | 0,98 | 0,81 |

RECOMMENDED BY LEMO

Tools

None

Cables