



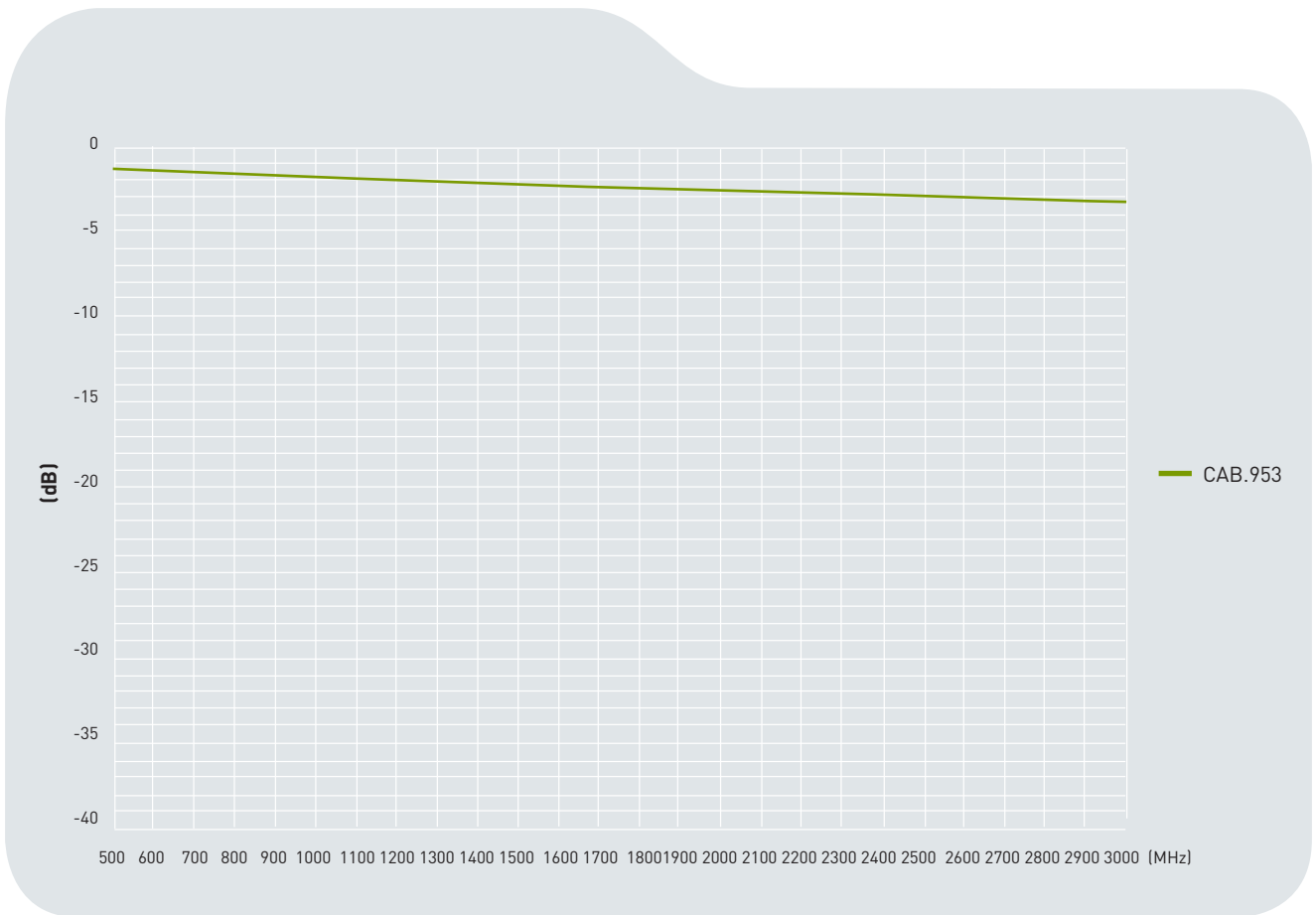
Close-up of CAB.953

CAB.953

Specification

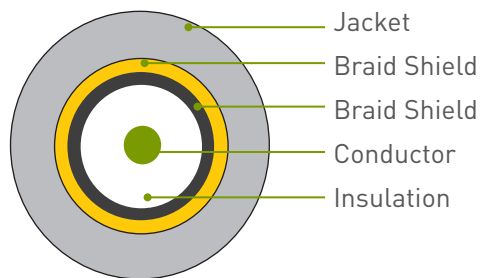
Part No.	CAB.953
Product Name	CAB.953 Taoglas Low Loss Cable Assembly N Type Jack with O-Ring to 5000mm(16.4') ULC-200 to SMA(M)

1. Cable Insertion Loss

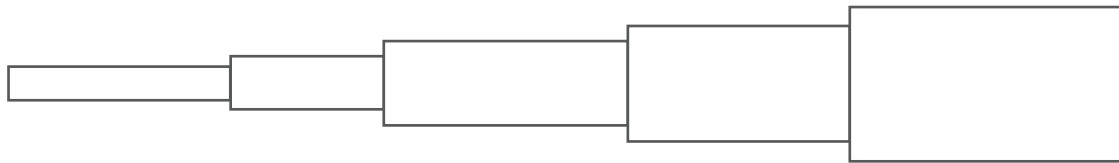


2. ULC-200 Cable Specification

2.1 Drawing - Cross Section



2.2 Structure and Dimensions



Conductor

- Material - Bare Copper Wire
- Composition (1/1.12mm)
- Diameter - 1.12mm

Insulation

- Material - Gas Injected Foam Polyethylene
- Avg. Thickness - 0.91mm
- Diameter - 2.95±0.1mm

Braid Shield

- Material - Aluminium Foil
- Construction - 0.038mm

Braid Shield

- Material - Tinned - Copper Wire
- Structure - 16/6/0.12mm
- Coverage - 87%
- Diameter - 0.12±0.008mm

Jacket

- Material - RoHS PVC
- Diameter - 4.95 ± 0.10mm
- Colour - Black

2.3 Electrical & Physical Specification

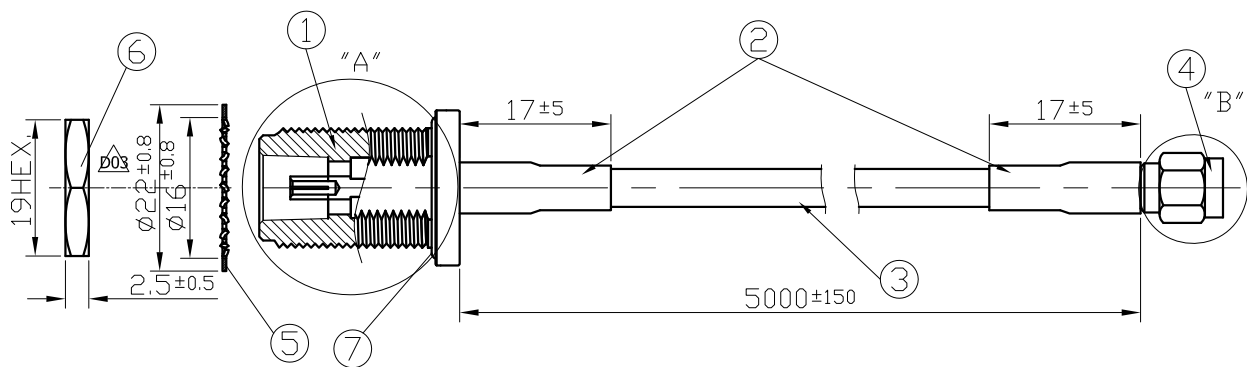
The Characteristic of ULC-200 Coaxial Cable

Insulation Resistance:	1000 MΩ-Km (Min)
Capacitance	80.4 ± 3 pF/m
Nom. Impedance	50 ± 3 Ω

Attenuation	500MHz	1000MHz	1500MHz	2000MHz	2500MHz	3000MHz
(dB / 100M)	24.1	34.4	42.4	49.3	55.4	60.9

3. Technical Drawing

3.1 CAB.953



	Name	Material	Finish	QTY
1	N Type(F)ST	Brass	Ni Plated	1
2	Heat Shrink Tube	PE	Black	2
3	ULC200	PVC	Black	1
4	SMA(M)ST Connector	Brass	Gold	1
5	SMA Washer	Brass	Ni Plated	1
6	SMA Nut	Brass	Ni Plated	1
7	O-Ring	Brass	Black	1

3.2 Connectors

