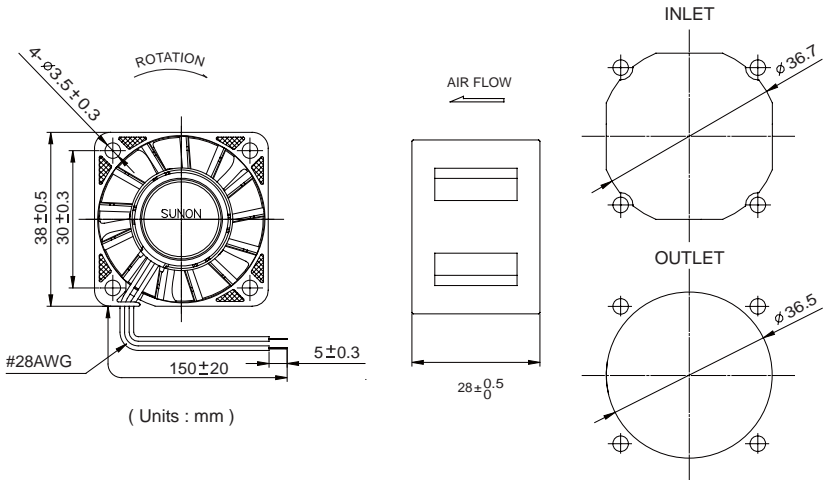
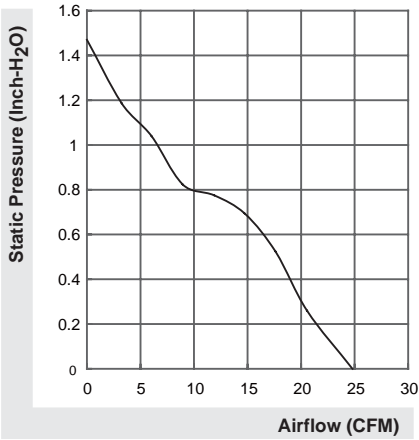


38x38x28 mm

24.8 CFM



| Model | Bearing | Rating Voltage (VDC) | Power Current (mA) | Power Consumption (WATTS) | Speed (RPM) | Air Flow (CFM) | Static Pressure (Inch-H ₂ O) | Noise (dBA) | Weight (g) | Curve |
|--------------------|---------|----------------------|--------------------|---------------------------|-------------|----------------|---|-------------|------------|-------|
| SG38281B1-0000-A99 | 2BALL | 12 | 520 | 6.24 | 19000 | 24.8 | 1.47 | 56.2 | 35.0 | 1 |



*All model could be customized. Please contact with Sunon Sales.
 *Specifications are subject to change without notice. Please Visit SUNON web site at <http://www.sunon.com> for update information.