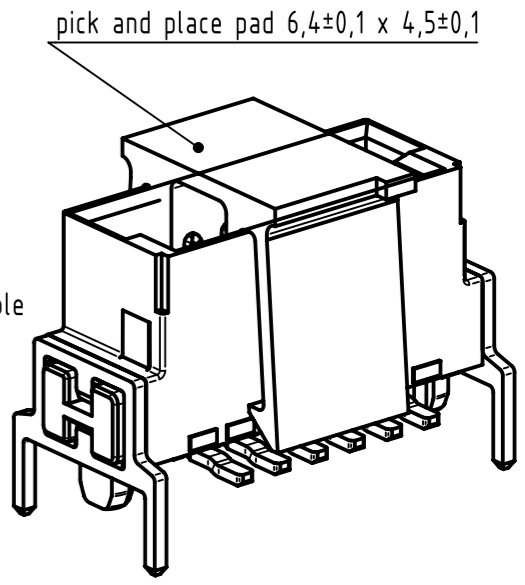


Part number	no. of contacts	A	B	C	D	E	F	G	H
1511006x401xxx	6	2,54	6,96	8,89	5,76	4,76	6,56	1,05	8,06
1511012x401xxx	12	6,35	10,77	12,70	9,57	8,57	10,37	2,96	11,87
1511016x401xxx	16	8,89	13,31	15,24	12,11	11,11	12,91	4,23	14,41
1511020x401xxx	20	11,43	15,85	17,78	14,65	13,65	15,45	5,50	16,95
1511026x401xxx	26	15,24	19,66	21,59	18,46	17,46	19,26	7,40	20,76
1511032x401xxx	32	19,05	23,47	25,40	22,27	21,27	23,07	9,31	24,57
1511040x401xxx	40	24,13	28,55	30,48	27,35	26,35	28,15	11,85	29,65
1511050x401xxx	50	30,48	34,90	36,83	33,70	32,70	34,50	15,02	36,00
1511068x401xxx	68	41,91	46,33	48,26	45,13	44,13	45,93	20,74	47,43
1511080x401xxx	80	49,53	53,95	55,88	52,75	51,75	53,55	24,55	55,14
1511100x401xxx	100	62,23	66,65	68,58	65,45	64,45	66,25	30,90	67,75

Packaging	
000	tape & reel with 220pcs per reel
333	samples

performance level	
2	PL1:>500 mating cycles
6	PL2:>250 mating cycles
5	min 0,06µm Au over 0,7+0,2µm PdNi



All Dimensions in mm Original Size DIN A3		Scale 5:1	Free size tol.	Ref.	
All rights reserved Department EC PD - CN		Created by ZHUANGJ	Inspected by LUOK	Standardisation HOFFMANN	Date 2016-02-01
HARTING Electronics GmbH D-32339 Espelkamp		Title har-flex ass straight male 1,75mm THR hold-down			State Final Release
		Type TB	Number 1511XXXX401XXX	Doc-Key / ECM-Nr. 100632754/UGD/000/B 50000099948	Rev. B
					Page 1/1

Find further technical information on the drawing DS 1511100301