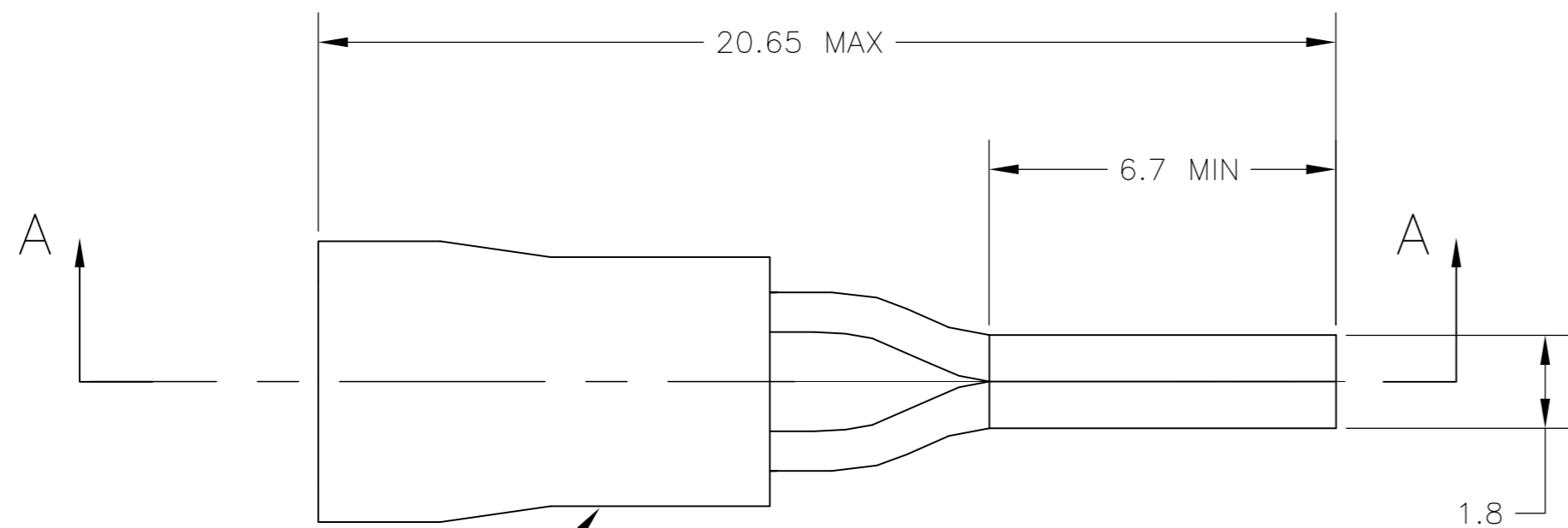


THIS DRAWING IS UNPUBLISHED. RELEASED FOR PUBLICATION
 © COPYRIGHT - By - ALL RIGHTS RESERVED.

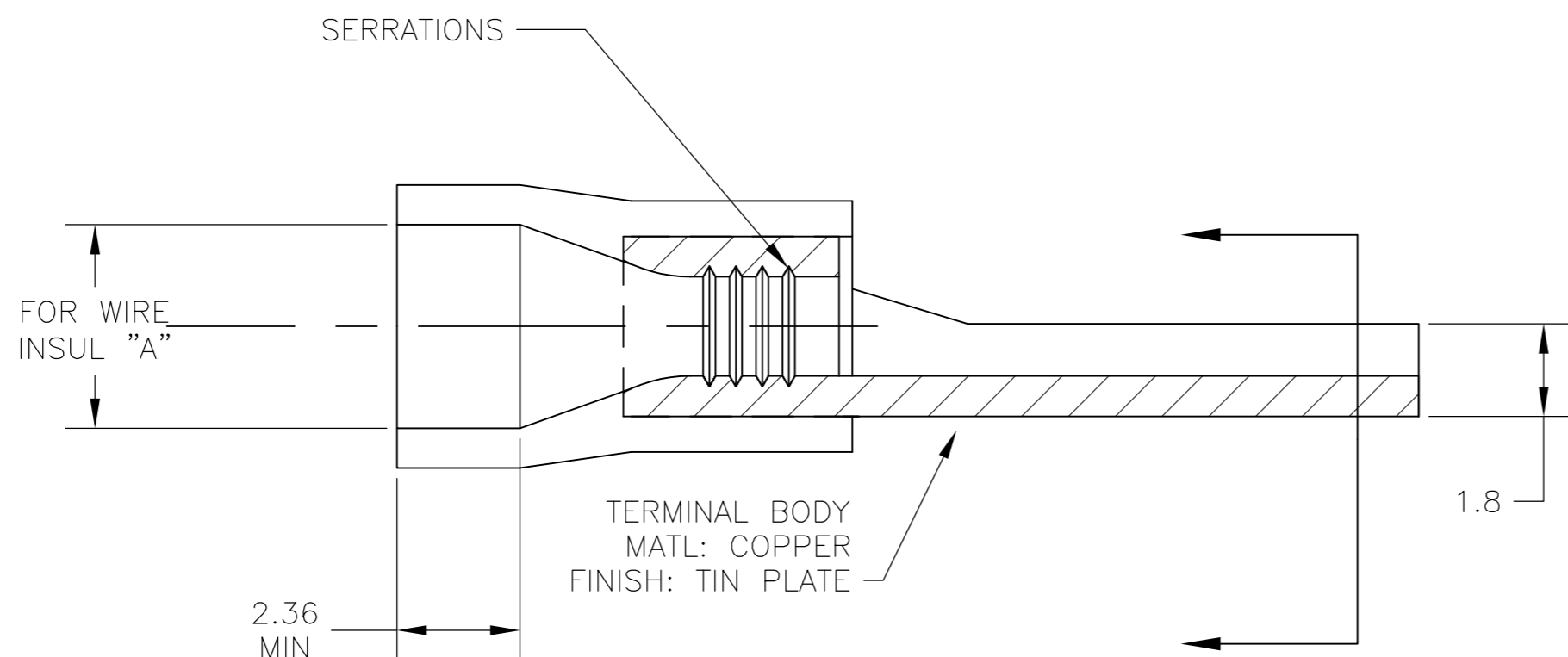
LOC	DIST	REVISIONS			
P	LTR	DESCRIPTION	DATE	DWN	APVD
G	14	K1	REVISED PER ECO-11-004917	11MAR11	RK HMR

- 1 PRELIMINARY - NOT FOR PRODUCTION
- 2 SUPERSEDED BY 165075

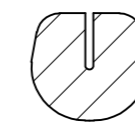


INSULATION SLEEVE
 MATERIAL: PVC
 COLOR: BLUE

AMP WIRE RANGE	RU FILE E13288
16-14 AWG STRANDED	16-14 AWG STRANDED



SECTION A-A



	.115-.170	2 165075-1
1 2-165075-0	.115-.190	165075
PART NO	FOR WIRE INSULATION "A"	PART NO

THIS DRAWING IS A CONTROLLED DOCUMENT.		DWN jr ruth 04JUN07	TE Connectivity	
DIMENSIONS: MM INCHES		CHK T MICHIELUTTI 04JUN07	NAME TERMINAL, WIRE PIN, PLASTI-GRIP,	
TOLERANCES UNLESS OTHERWISE SPECIFIED: 0 PLC ± - 1 PLC ± 0.5 2 PLC ± 0.20 3 PLC ± - 4 PLC ± - ANGLES ± 1°		APVD T MICHIELUTTI 04JUN07	PRODUCT SPEC -	
MATERIAL -		FINISH -	APPLICATION SPEC -	RESTRICTED TO -
WEIGHT -		SIZE A2	CAGE CODE 00779	DRAWING NO C=165075
CUSTOMER DRAWING		SCALE 8:1	SHEET 1 of 1	REV K1