

MODEL:

PDU3VN10G60BW

3-Phase Monitored Rack-Mount PDU



208V
3-Phase Input



60A Blue IEC
309 3P+E Plug



208V Single-
Phase Output



48 Outlets



14.5kW Load
Capacity



Multimode
Load Meter



Network
Interface



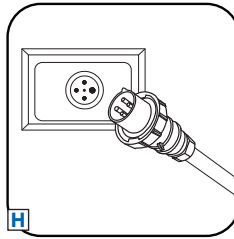
0U
Rack-Mount



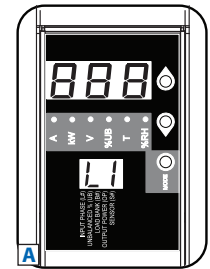
Toolless
Mounting
Buttons

- A** Multi-function Digital Display
- B** C13 and C19 Outlets
- C** 20A 2-Pole Low-Profile Circuit Breakers
- D** Removable Mounting Brackets
- E** Toolless Mounting Buttons with Removable 90° Rotation Brackets
- F** 10-ft. Input Power Cord
- G** 60A Blue IEC 309 3P+E Input Plug (IP44)
- H** Network Interface
- I** RJ45 Ethernet Jack
- J** Manual Configuration Port
- K** Environmental Monitoring Port
- L** Network Interface Reset Button

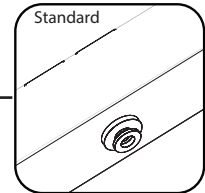
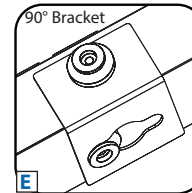
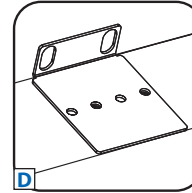
Also Includes: Cable Ties,
Owner's Manual, PowerAlert
Software CD-ROM



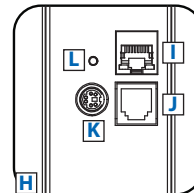
AC Input Connection: Insert
60A Blue IEC 309 3P+E plug
into compatible utility,
generator or UPS outlet.



Multi-function Digital Display:
Reports power consumption in
amps for all 3 loading banks, IP-
address self-identification and
180 degree display rotation.



Note: Installed 17.67 mm
toolless mounting buttons
can be replaced with included
14.17 mm buttons for
additional compatibility.



Network Interface: Connect to Ethernet for real-time
remote monitoring for load/current data with +/-1%
billing grade accuracy via Web, Telnet or SSH. Add
optional ENVIROSENSE accessory for temperature/
humidity monitoring and dry contact interface.

- Distributes power to 48 outlets (42 C13 & 6 C19)
- Multi-function Digital Display shows amps, kilowatts, volts, power unbalance percentage, as well as selected input phase, load bank, output power and sensor option
- Advanced remote monitoring and control capability via Web, Telnet or SSH for real-time load/current data with +/- 1% billing-grade accuracy
- Perfect for rack-mount server, network and telecom applications

SEE NEXT PAGE FOR DETAILED UNIT MEASUREMENTS



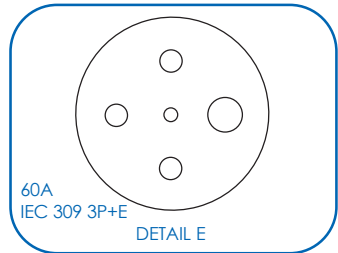
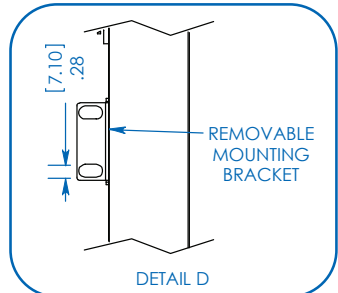
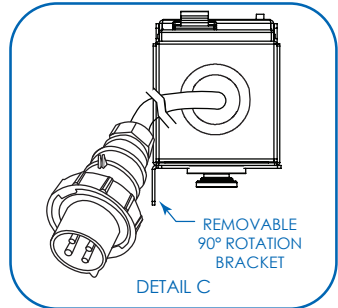
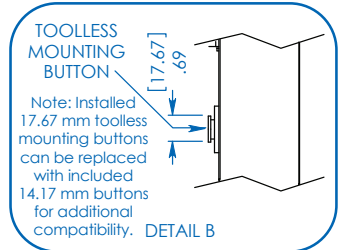
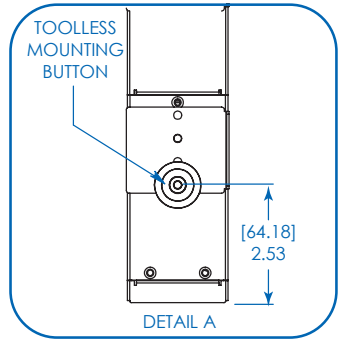
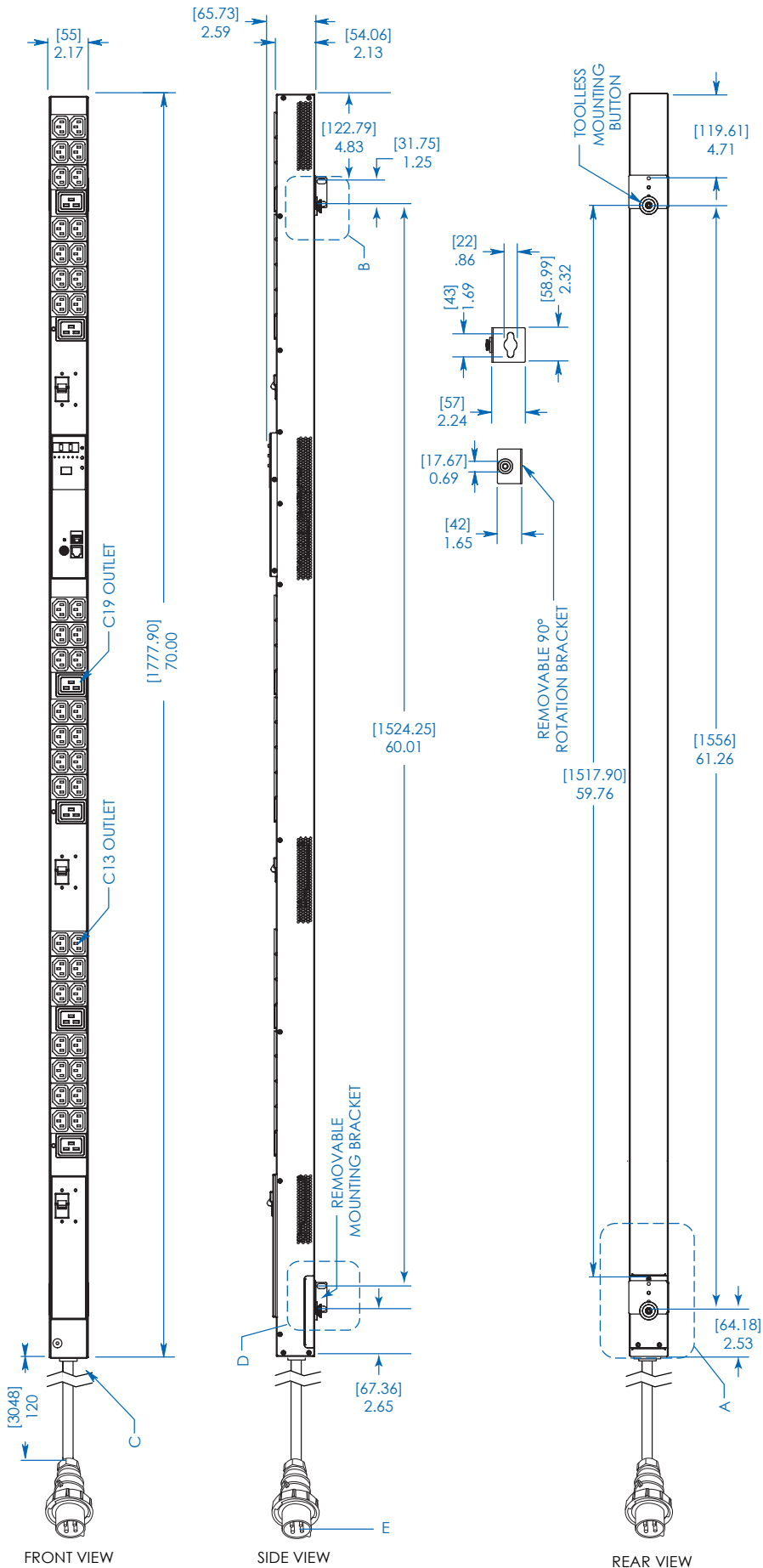
1111 W. 35th Street
Chicago, IL 60609 USA
773.869.1234
www.tripplite.com

Specifications

Models	PDU3VN10G60BW
Voltage	200-240V
Frequency	50/60 Hz
Load Capacity	14.5kW
Input Plug	IEC-309 60A Blue (3P + E) (IP67 Protection Rating)
Input Cord Length	10 ft. / 3.05 m
Outlets	48 (42 x C13, 6 x C19)
Primary Mounting Option	0U (Vertical) Rack-Mount
Unit Dimensions	70 x 2.17 x 1.76 in. / 1778 x 55 x 45 mm
Unit Weight	18.66 lb. / 8.5 kg
Standards	Tested to UL 60950-1 (USA), CAN 60950-1 (Canada), NOM (Mexico), Class A (Emissions), RoHS, TAA Compliant

Tripp Lite has a policy of continuous improvement. Specifications are subject to change without notice.





Dimensions: [mm] INCHES

Tripp Lite has a policy of continuous improvement. Specifications are subject to change without notice.

MODEL:
PDU3VN10G60BW

TRIPP-LITE

1111 W. 35th Street
Chicago, IL 60609 USA
773.869.1234

www.tripplite.com