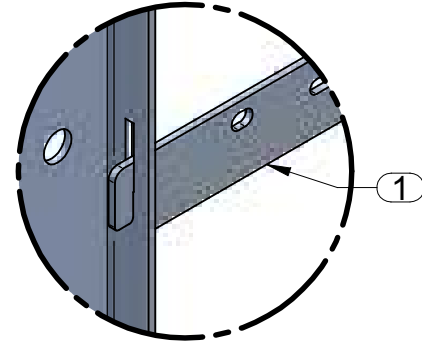
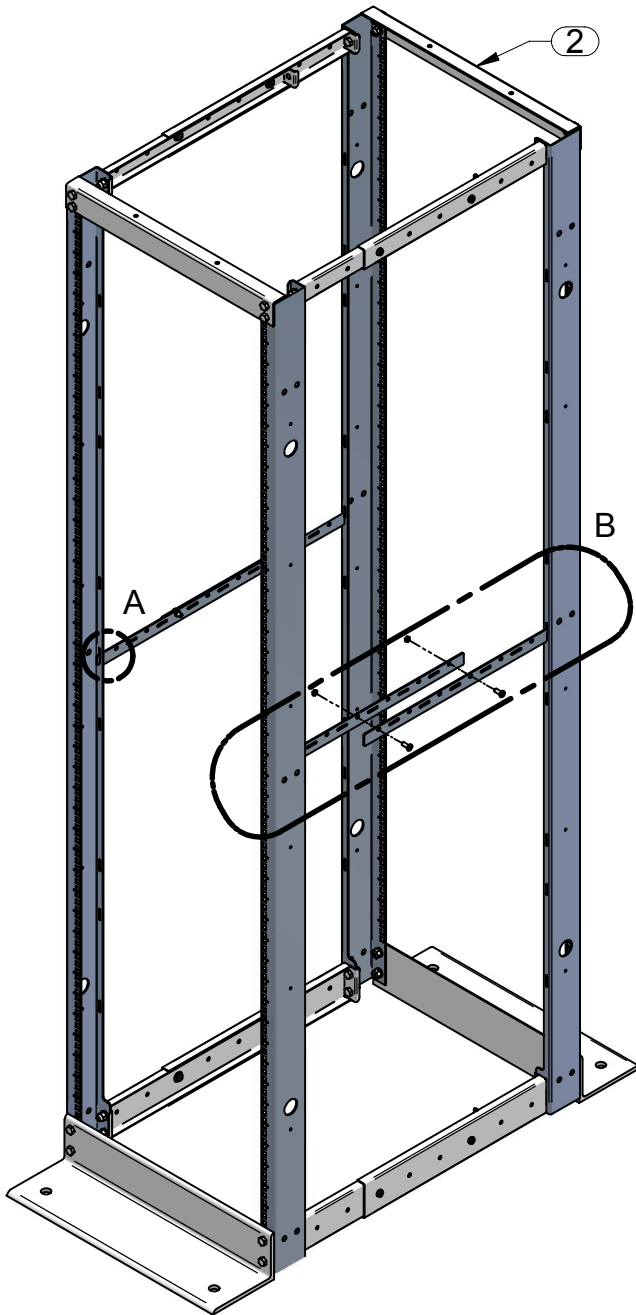


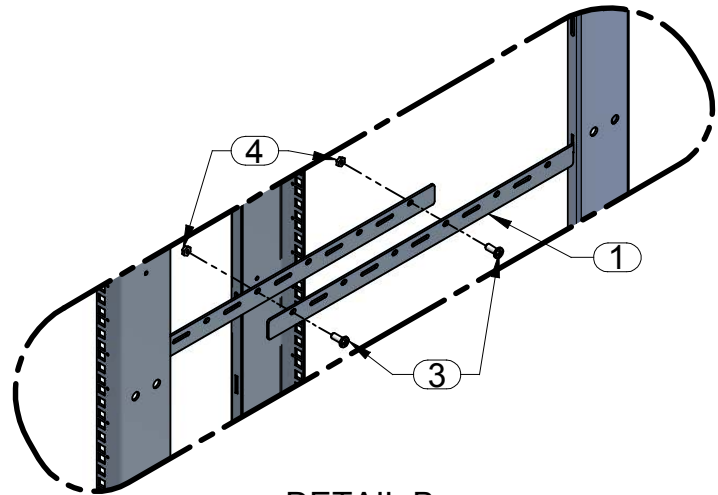
DC4R - SERIES

ASSEMBLY INSTRUCTIONS FOR DC4R HORIZONTAL CABLE BAR

BUL10330
REV. B
PAGE 1 OF 1



DETAIL A



DETAIL B

ASSEMBLY INSTRUCTIONS:

- A) Slide each half of horizontal cable bar (item 1) into rectangular slots located on the sides of the rails of the DC4RR4 (item 2). (Detail A)
- B) Fasten the horizontal cable bars together using 10-32 screws and nuts provided (items 3 & 4) as shown in detail B.

PARTS LIST

ITEM No.	DESCRIPTION	QTY
1	DC4R CABLE TIE BAR	4
2	DC4R44 (NOT INCLUDED)	1
3	10-32 X 5/8 SCREW	4
4	10-32 KEP NUT	4

TOOL BOX



Phillips
Screw Driver



**HAMMOND
MANUFACTURING™
DATA COM**