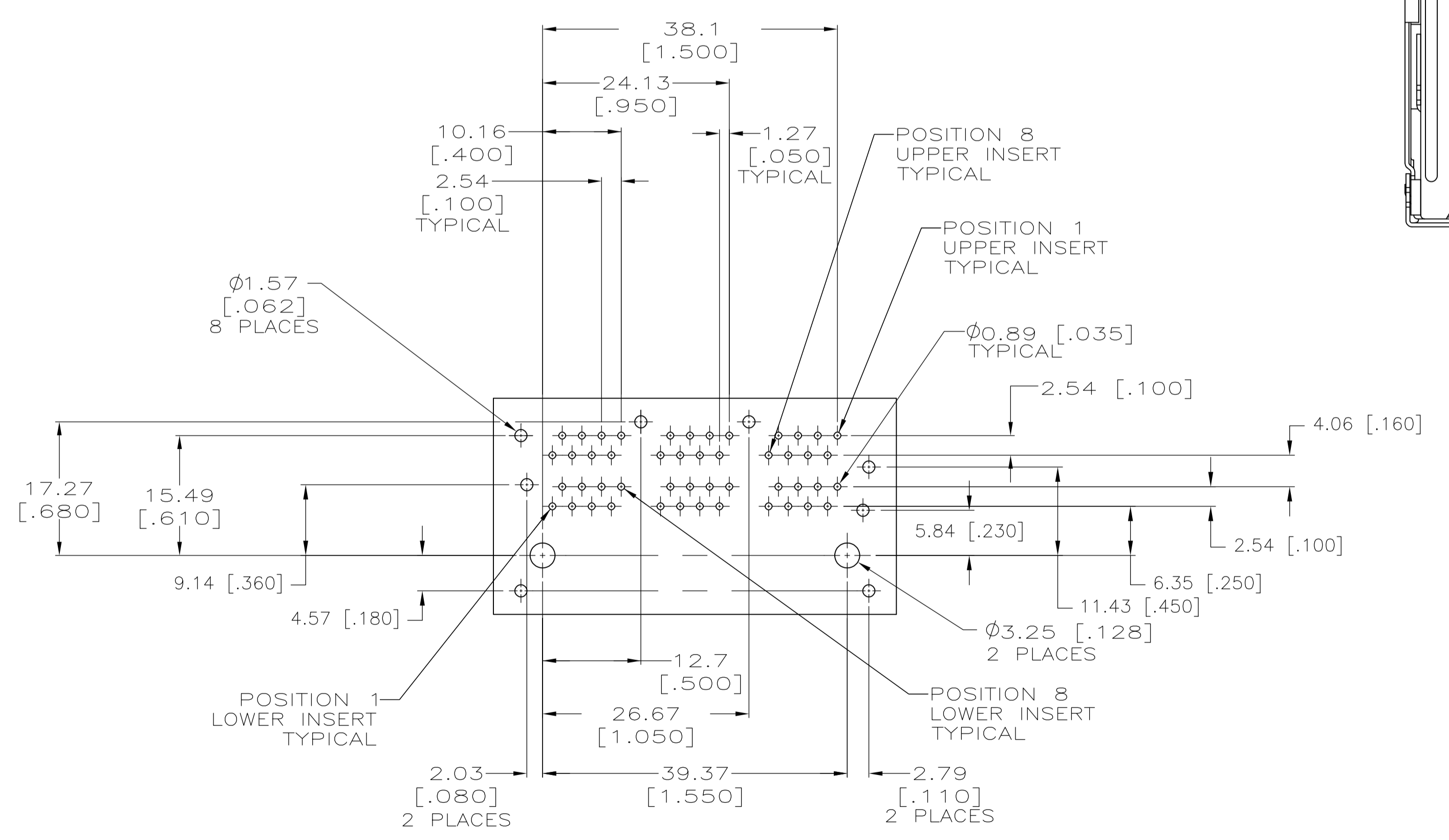
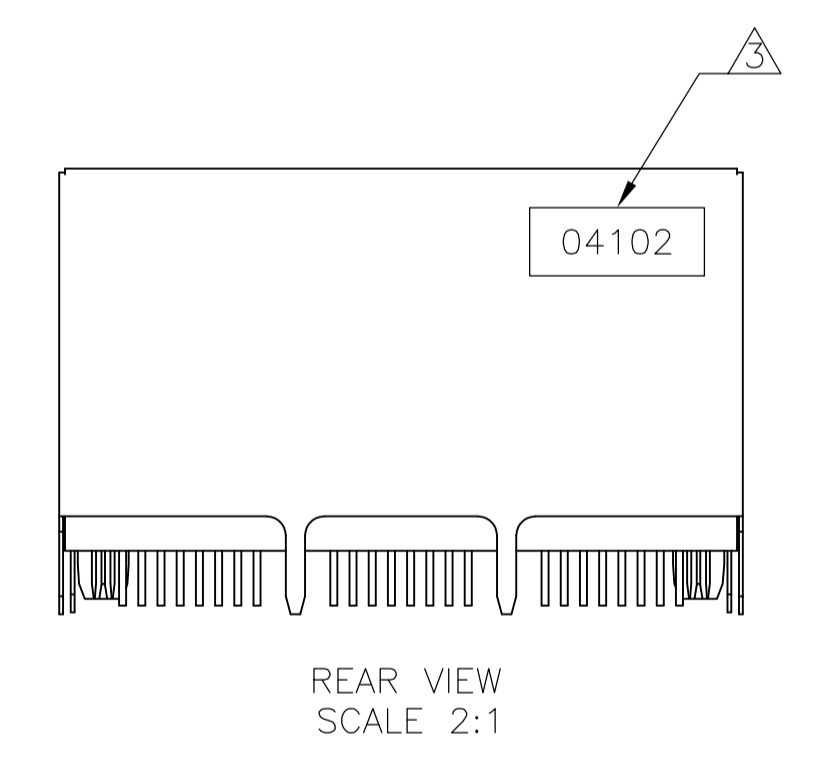
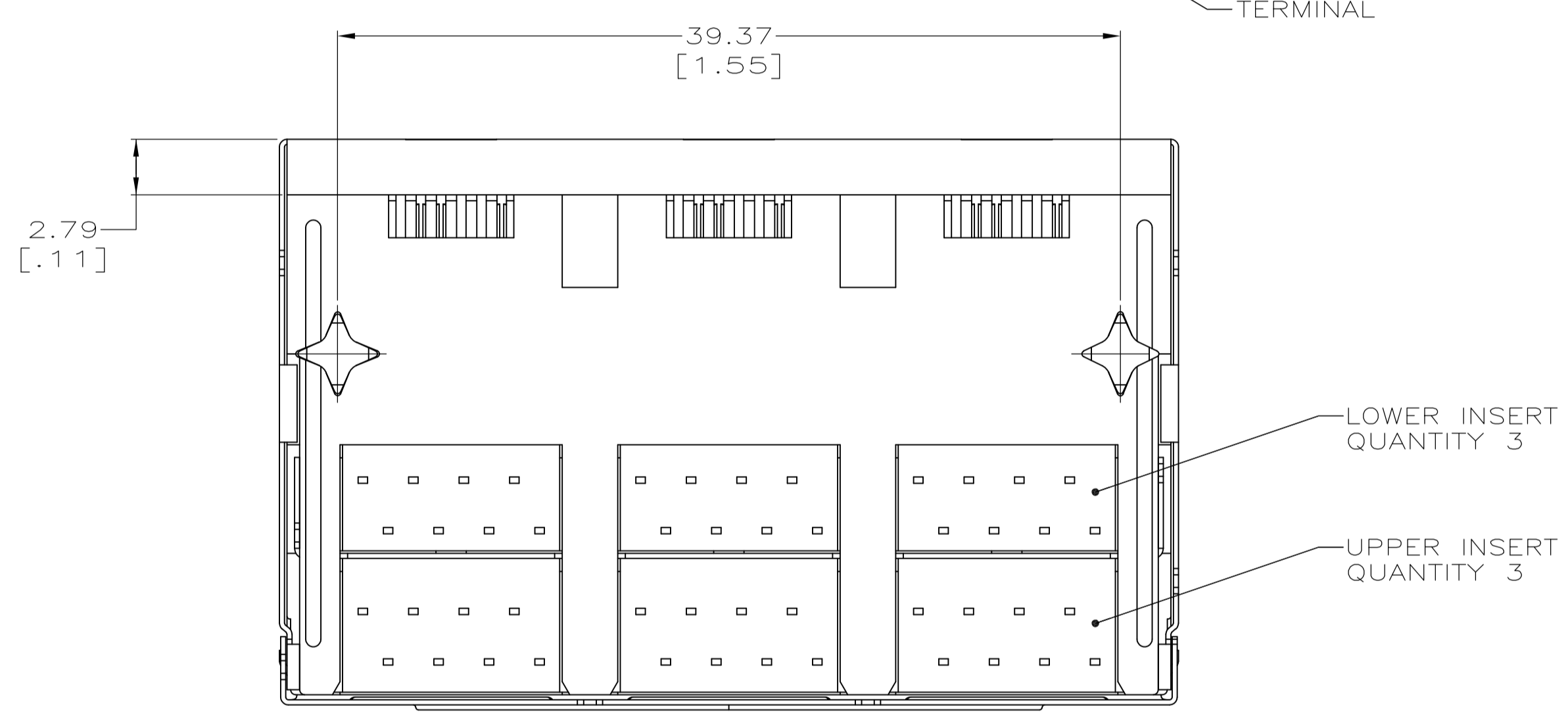
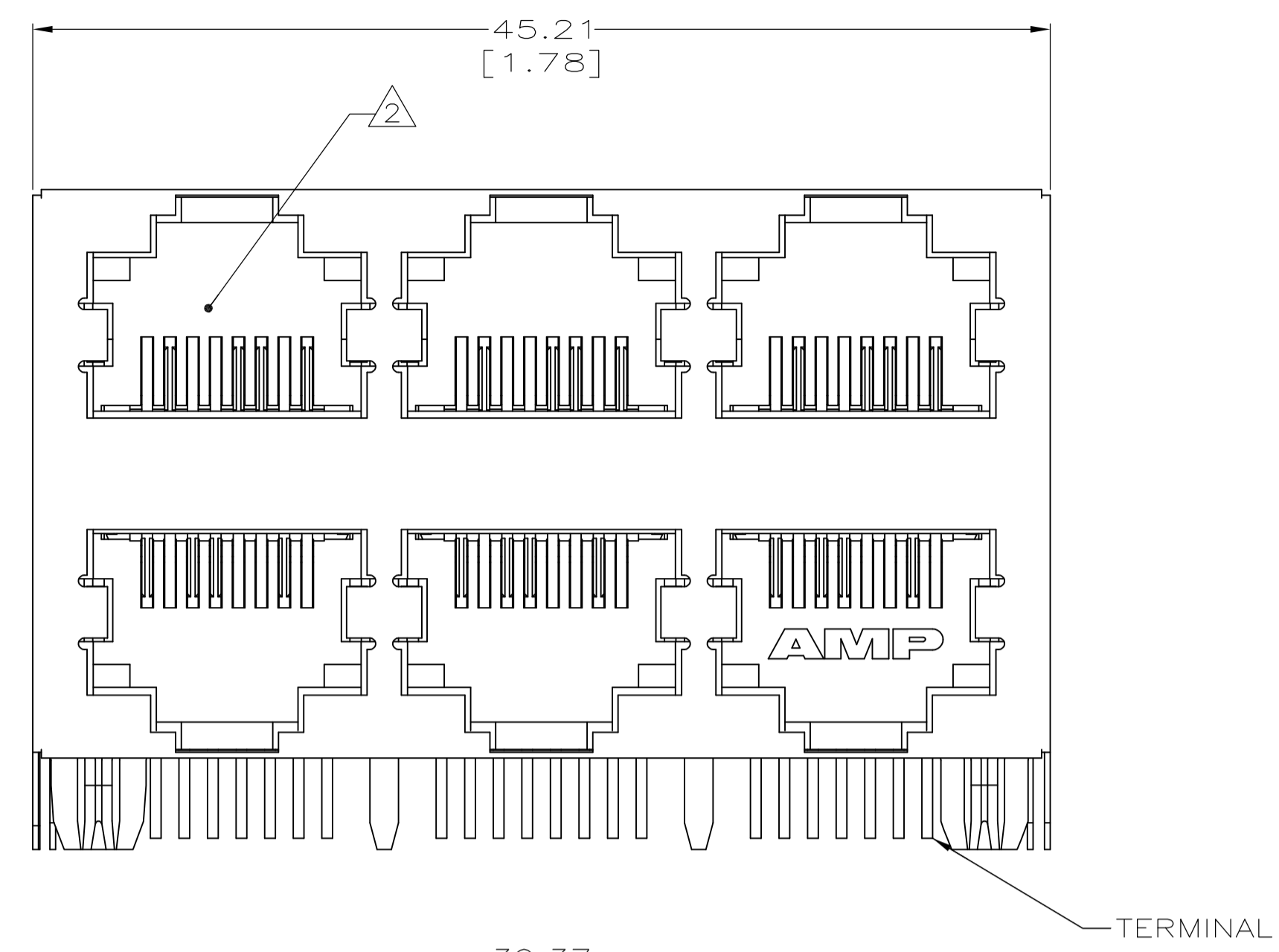
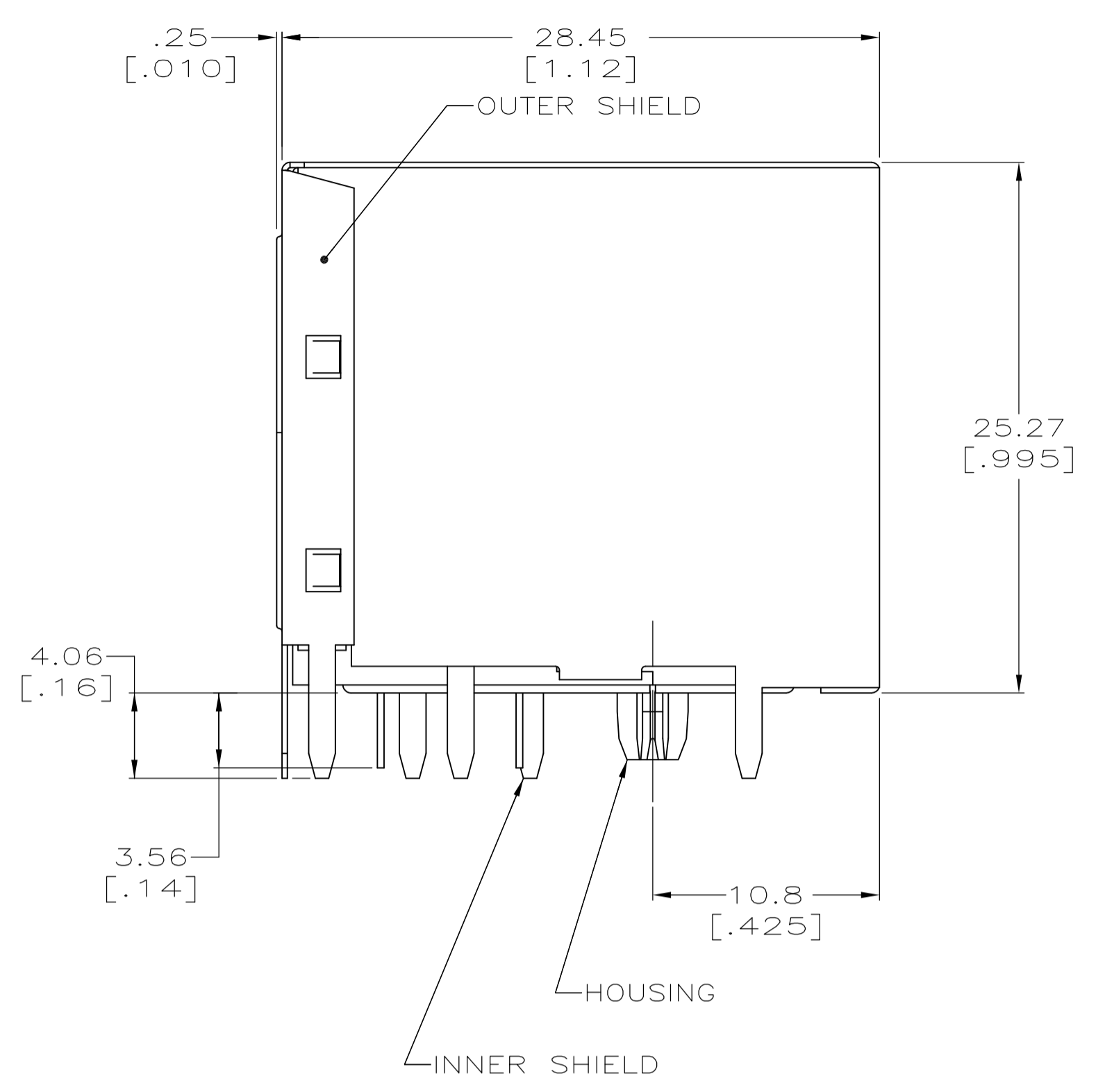
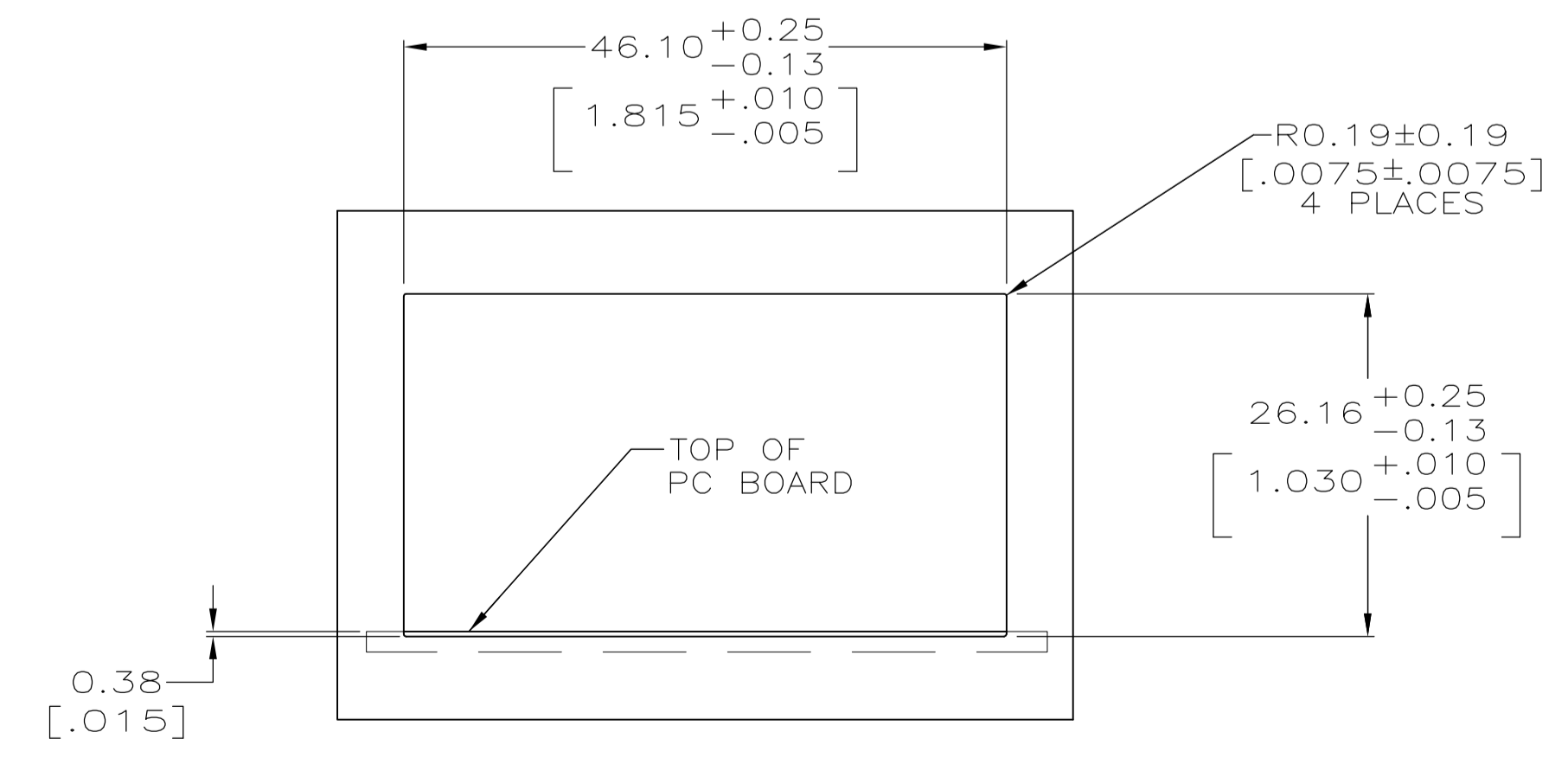


LOC		DIST		REVISIONS			
AA	22	F	LTR	DESCRIPTION	DATE	DWN	APVD
A1				REVISED ECR-08-031628	03DEC08	AZ	SY



PC BOARD LAYOUT VIEWED FROM COMPONENT SIDE SCALE 2:1



SUGGESTED PANEL CUTOUT DIMENSIONS SCALE 2:1

△ MATERIAL:
 HOUSING - PCT POLYESTER, BLACK, UL94V-0.
 OVERMOLDED TERMINAL ARRAY - PBT, BROWN.
 TERMINALS - 0.33 [.013] THICK PHOS BRONZE PLATED WITH 1.27um [.000050] MIN THICK HARD GOLD IN LOCALIZED AREA AND 3.81um [.000150] MIN THICK MATTE TIN IN SOLDER AREA OVER 1.27um [.000050] MIN THICK NICKEL UNDERPLATE.
 SHIELDS - 0.25 [.010] THICK COPPER ALLOY PLATED WITH 1.27 um [.000050] MINIMUM NICKEL AND 2.03 um [.000080] MINIMUM HOT TIN DIP ON PCB GROUND TABS.

△ JACK CAVITY CONFORMS TO FCC RULES AND REGULATIONS, PART 68 SUBPART F.

△ DATE CODE LOCATED ON REAR OF PART APPROXIMATELY AS SHOWN:
 FIRST 2 DIGITS ARE LAST 2 DIGITS OF YEAR, SECOND 2 DIGITS ARE MANUFACTURING WORK WEEK, LAST DIGIT IS DAY OF WEEK, WITH SUNDAY = 1.

5569256-1
 PART NUMBER

THIS DRAWING IS A CONTROLLED DOCUMENT.		DIN A. FERNANDEZ-DUCKS 15JUN2005	Tyco Electronics Corporation Harrisburg, PA 17105-3608
DIMENSIONS: mm [INCHES]		CHK J. WESTMAN 15JUN2005	
TOLERANCES UNLESS OTHERWISE SPECIFIED:		APVD S. FLICKINGER 15JUN2005	NAME STACKED MODULAR JACK ASSEMBLY, 2 X 3 PORT, 8 POSITION, SHIELDED, PRINTED CIRCUIT BOARD GROUND, CATEGORY 5
0 PLC ± -	1 PLC ± -	PRODUCT SPEC 108-1163-2	APPLICATION SPEC
2 PLC ± 0.25(.01)	3 PLC ± 0.13(.005)	114-2048	SIZE CAGE CODE DRAWING NO A1 00779 C=5569256
4 PLC ± -	ANGLES ± -	WEIGHT -	RESTRICTED TO
MATERIAL △	FINISH △	CUSTOMER DRAWING	SCALE 4:1 SHEET 1 OF 1 REV A1