



## CX2078NL

- RF TRANSFORMER
- 1:1, 5–500MHz
- IMPEDANCE=50 OHM
- SURFACE MOUNT

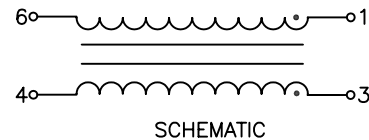
### ELECTRICAL SPECIFICATIONS: @ 25°C

#### INSERTION LOSS:

FREQUENCY	ATTENUATION
5 MHz	-2.0 dB MAXIMUM
10 MHz	-2.0 dB MAXIMUM
50 MHz	-2.0 dB MAXIMUM
100 MHz	-2.0 dB MAXIMUM
200 MHz	-2.5 dB MAXIMUM
300 MHz	-2.5 dB MAXIMUM
500 MHz	-2.5 dB MAXIMUM
*REFERENCE	ATTENUATION
70.71 MHz	-2.0 dB MAX

#### NOTES: UNLESS OTHERWISE SPECIFIED

1. OPERATING TEMPERATURE: -40°C TO +85°C
2. STORAGE TEMPERATURE: -50°C TO +125°C
3. COMPLIANCE TO J-STD:
  - J-STD-002: SOLDERABILITY AT REFLOW PEAK TEMPERATURE OF 245°C
  - J-STD-020: MSL 1, NO MOISTURE SENSITIVE
  - J-STD-075: R6, 250°C MAXIMUM THROUGH REFLOW SOLDER
4. DIMENSIONS ARE IN MM [INCHES].
  - TOLERANCE:
  - .X = ±0.25 [±.010]
  - .XX = ±0.13 [±.005]
5. OPTIONAL TAPE & REEL PACKAGING CAN BE ORDERED BY ADDING A "T" SUFFIX TO THE PART NUMBER. ie: CX2078NLT



© Copyright, 2014. Pulse Electronics Corp. All rights reserved. Pulse confidential & proprietary. (04/14/2014)

PRODUCT DESCRIPTION:

XFMR, RF, SGL, KAYAK, 1:1, XMSN

SHEET:

1 OF 2

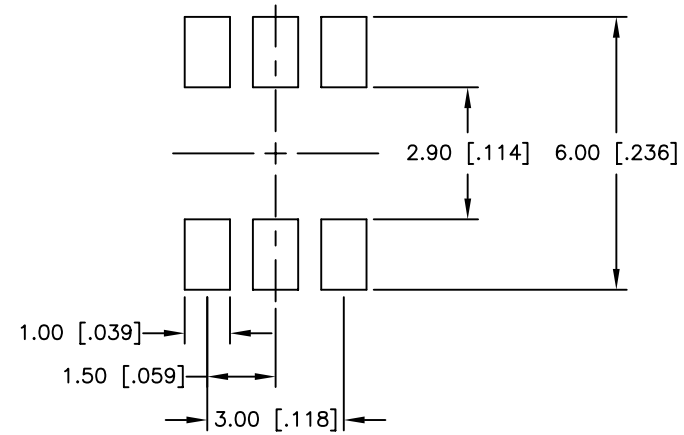
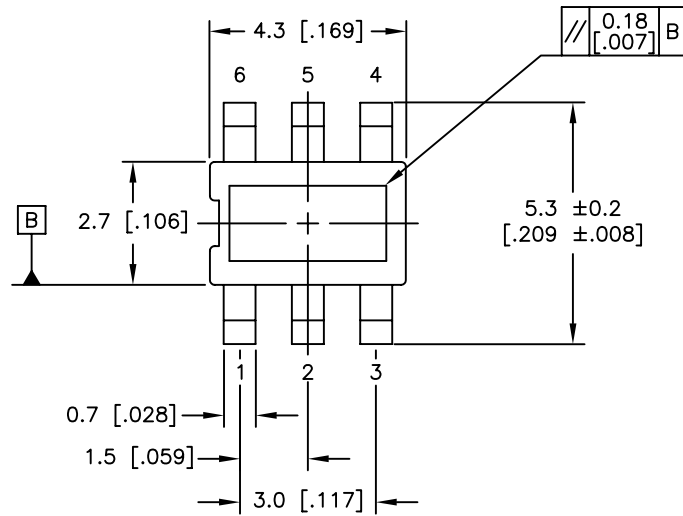
PART NO.

CX2078NL

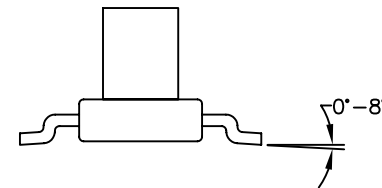
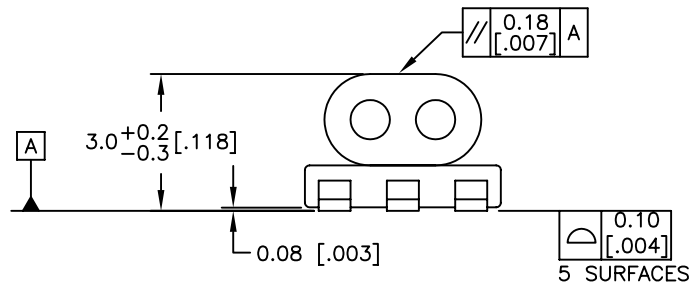
DATASHEET REV.

M12

**MECHANICAL SPECIFICATIONS:**



SUGGESTED LAND PATTERN



© Copyright, 2014. Pulse Electronics Corp. All rights reserved. Pulse confidential & proprietary. (04/14/2014)

PRODUCT DESCRIPTION:

XFMR, RF, SGL, KAYAK, 1:1, XMSN

SHEET:

2 OF 2

PART NO.

CX2078NL

DATASHEET REV.

M12