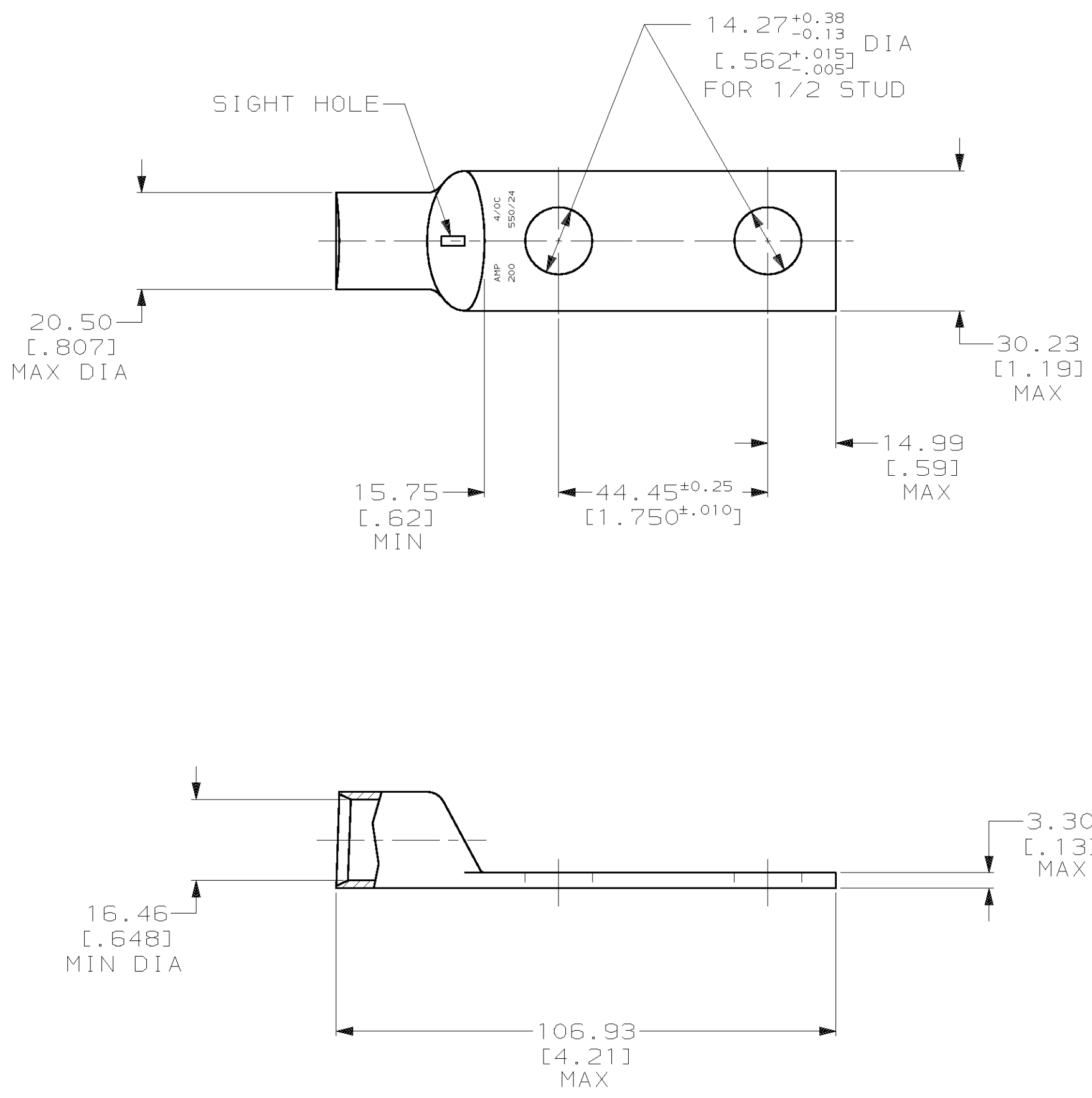


THIS DRAWING IS UNPUBLISHED. RELEASED FOR PUBLICATION, 19 .
 © COPYRIGHT 19 BY AMP INCORPORATED. ALL INTERNATIONAL RIGHTS RESERVED.

LOC	DIST	P	F	ZONE	LTR	DESCRIPTION	DATE	APPD
G	86				L	REV PER 0G3A-0561-01	09OCT02	JR/MS

- 1 CIRCULAR MIL RANGE: 190,000-231,000 CM
- ② TIN PLATE 0.00381 [.000150] MIN THK PER ASTM B 545.
- ③ CLEANED, UNPLATED



③	327284-2
②	327284
FINISH	PART NO

DO NOT SCALE PRINT. UNLESS SPECIFIED DIMENSIONS IN mm [INCHES] TOLERANCES ON : 2 PLC DEC ± - 3 PLC DEC ± - ANGLES ± -	DR 02/28/90 DK SCHRUM	AMP Incorporated Harrisburg, PA 17105-3608		
	CHK 8/10/92 AJ KAUFMAN			NAME
MATERIAL COPPER PER ASTM B-75 ANNEALED	APPD 8/10/92 RE ROSER	TERMINAL, AMPPOWER™ WIRE SIZE: 4/0 AWG		
FINISH SEE TABLE	APPD 8/10/92 JL MECKLEY			
	PRODUCT SPEC -	SIZE C	CAGE CODE 00779	DRAWING NO C-327284
	APPLICATION SPEC -	SCALE 1:1	SHEET 1 OF 1	
	WEIGHT .164 LBS			

THIS DRAWING IS A CONTROLLED DOCUMENT FOR AMP INCORPORATED. IT IS SUBJECT TO CHANGE AND THE CONTROLLING ENGINEERING ORGANIZATION SHOULD BE CONTACTED FOR THE LATEST REVISION.