

Customer Information Sheet

DRAWING No.: M80-301 TO M80-302

SHEET 2 OF 2

IF IN DOUBT - ASK

(C)

NOT TO SCALE

THIRD ANGLE PROJECTION

ALL DIMENSIONS IN mm

SPECIFICATIONS:

MATERIALS:

BODY AND INNER CONTACT = COPPER ALLOY

INSULATOR = PTFE

FINISH:

BODY, INNER CONTACT = GOLD

ELECTRICAL:

FREQUENCY RANGE = 6GHz

IMPEDANCE = 50Ω

V.S.W.R. = $1.05 + (0.04 \times \text{FREQUENCY}) \text{ GHz MAX}$

CONTACT RESISTANCE = $6\text{m}\Omega \text{ MAX}$

INSULATION RESISTANCE = $10^6 \text{M}\Omega @ 250\text{V AC}$

OPERATING VOLTAGE = 180V AC @ 500mA

MAXIMUM VOLTAGE = 1,000V AC

MECHANICAL:

DURABILITY = 500 OPERATIONS

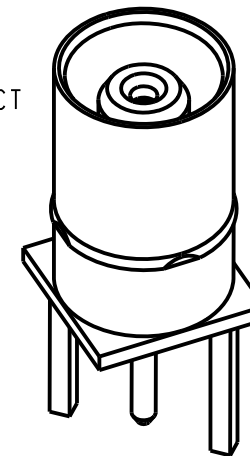
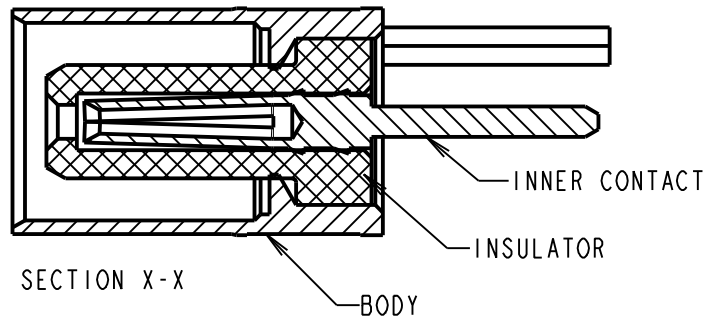
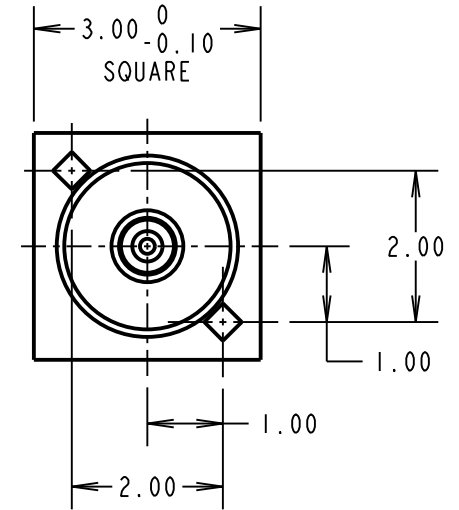
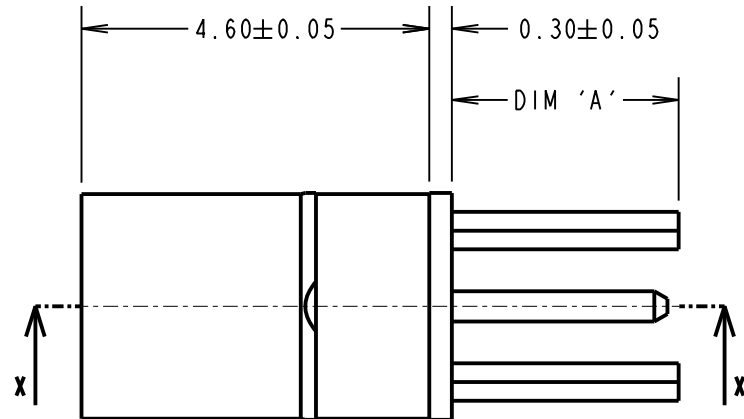
INSERTION FORCE = 8N MAX

WITHDRAWAL FORCE = 0.5N MIN

CONTACT REPLACEMENT IN INSULATOR = 5 TIMES

ENVIRONMENTAL:

TEMPERATURE RANGE = -55°C TO $+125^\circ\text{C}$



MGP	4	03.01.13	11734
NAME	ISS.	DATE	C/NOTE
APPROVED: MGP			
CHECKED: SB			
DRAWN:		B. M. KENT	
CUSTOMER REF.:			
ASSEMBLY DRG:			

NOTES:

- CONNECTORS COMES SUPPLIED ASSEMBLED.
- RECOMMENDED PCB HOLE SIZE = $\varnothing 0.60\text{mm}$ MIN.
- FOR ALL OTHER ELECTRICAL/ MECHANICAL REQUIREMENTS, SEE COMPONENT SPECIFICATION C005XX (LATEST ISSUE).

PART No.	DIM 'A'
M80-301	3.00
M80-302	4.50

HARWIN

www.harwin.com
technical@harwin.com

THIS DRAWING AND ANY INFORMATION OR DESCRIPTIVE MATTER SET OUT HEREON ARE CONFIDENTIAL AND COPYRIGHT PROPERTY OF THE HARWIN GROUP AND MUST NOT BE DISCLOSED, LOANED, COPIED OR USED FOR MANUFACTURING, TENDERING OR FOR ANY OTHER PURPOSE WITHOUT THEIR WRITTEN PERMISSION.

TOLERANCES

X. = $\pm 1\text{mm}$
X.X = $\pm 0.25\text{mm}$
X.XX = $\pm 0.10\text{mm}$
X.XXX = $\pm 0.01\text{mm}$

ANGLES = $\pm 5^\circ$
UNLESS STATED

MATERIAL:

SEE ABOVE

FINISH: SEE ABOVE

S/AREA:

mm²

TITLE: DATAMATE MIX-TEK
COAX CONTACT
FEMALE VERTICAL PC-TAIL

DRAWING NUMBER:

M80-301 TO M80-302

SHT
2 OF 2