


## Electronic housing - P 1-UEGM - 2792109

Please be informed that the data shown in this PDF Document is generated from our Online Catalog. Please find the complete data in the user's documentation. Our General Terms of Use for Downloads are valid (<http://download.phoenixcontact.com>)

PCB, for screw and slip-on connection, for custom fitting electronic components.



### Key commercial data

Packing unit	1 PCE
GTIN	 4 017918 072575
Custom tariff number	85340019
Country of origin	GERMANY

### Technical data

Product type	PCB
Approval	UL Recognized

### Classifications

#### ETIM

ETIM 2.0	EC001031
ETIM 3.0	EC001031
ETIM 4.0	EC001031
ETIM 5.0	EC001031

#### UNSPSC

UNSPSC 11	31261501
UNSPSC 12.01	31261501
UNSPSC 13.2	31261501

# Electronic housing - P 1-UEGM - 2792109

## Classifications

### UNSPSC

UNSPSC 6.01	31261501
UNSPSC 7.0901	31261501

### eCl@ss

eCl@ss 4.0	27180401
eCl@ss 4.1	27180401
eCl@ss 5.0	27180506
eCl@ss 5.1	27180506
eCl@ss 6.0	27180802
eCl@ss 7.0	27182702

## Approvals

### Approvals

---

Approvals

UL Recognized

---


Ex Approvals

---

Approvals submitted

---

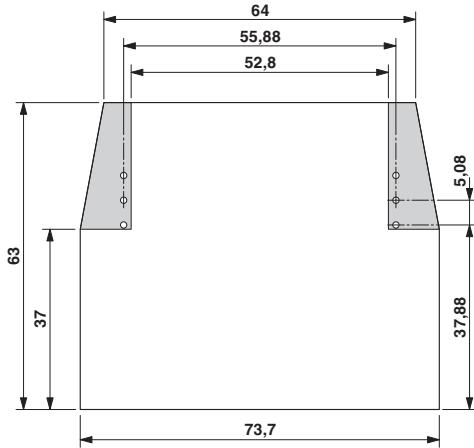
### Approval details

UL Recognized 
---------------------------------------------------------------------------------------------------

## Drawings

# Electronic housing - P 1-UEGM - 2792109

Dimensioned drawing



Schematic diagram

