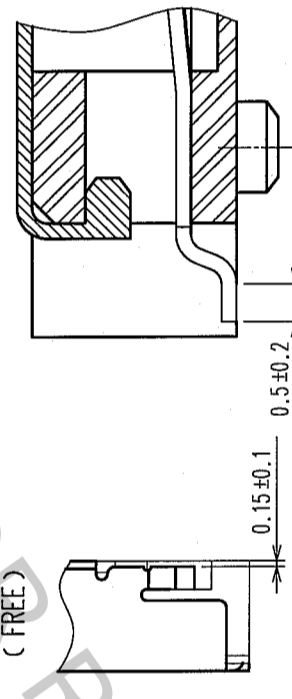
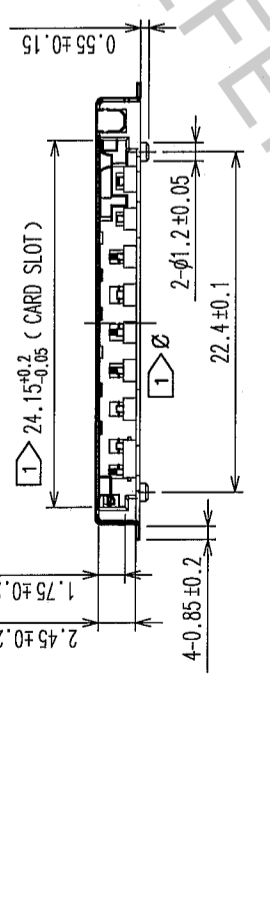
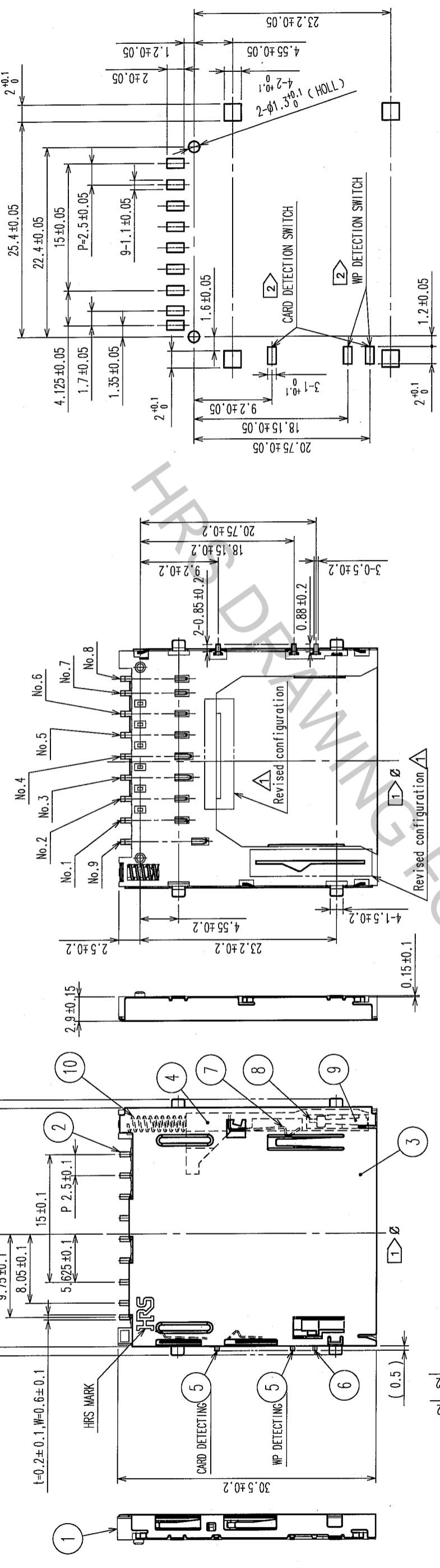


COUNT	DESCRIPTION OF REVISIONS	BY	CHKD	DATE	COUNT	DESCRIPTION OF REVISIONS	BY	CHKD	DATE
2	DIS-F-000445	H.S		05.09.27					

PCB LAYOUT (MOUNTING SIDE)



NOTES
 1 \varnothing IS THE CENTERLINE OF THE CARD SLOT.
 2 CARD DETECTION PROCEDURE AND WP DETECTION PROCEDURE ARE SHOWN IN THE BELOW.

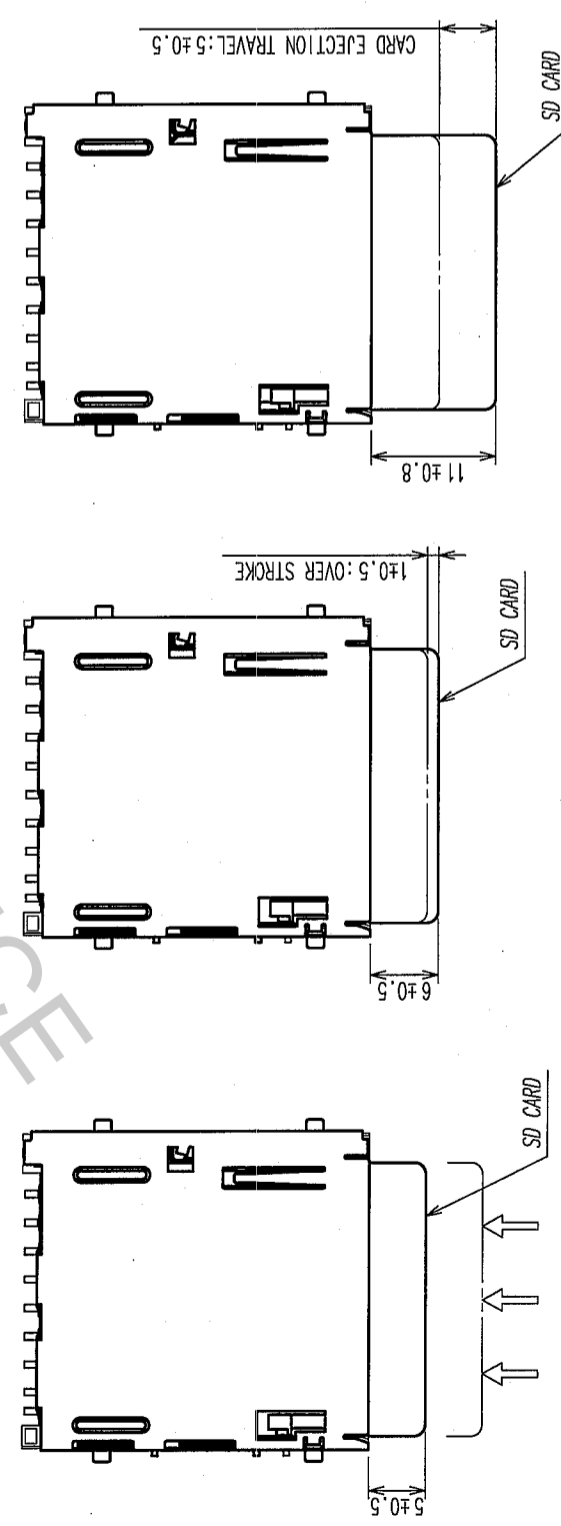
CARD DETECTION SWITCH			WP DETECTION SWITCH		
NO CARD	CARD INSERTED	NO CARD	CARD INSERTED	WRITE PROTECT	WRITE ENABLE
OPEN $\text{PART NO. 5 PART NO. 6 (CARD DETECTING)}$	CLOSE $\text{PART NO. 5 PART NO. 6 (CARD DETECTING)}$	OPEN $\text{PART NO. 5 PART NO. 6 (WP DETECTING)}$	OPEN $\text{PART NO. 5 PART NO. 6 (WP DETECTING)}$	OPEN $\text{PART NO. 5 PART NO. 6 (WP DETECTING)}$	CLOSE $\text{PART NO. 5 PART NO. 6 (WP DETECTING)}$

- 3 LEAD CO-PLANARITY TO BE 0.1mm.
- 4 CONNECTOR WEIGHT/PIECE: 2.2g

CARD PUSHING POSITION

CARD INSERTED POSITION

CARD EJECTED POSITION

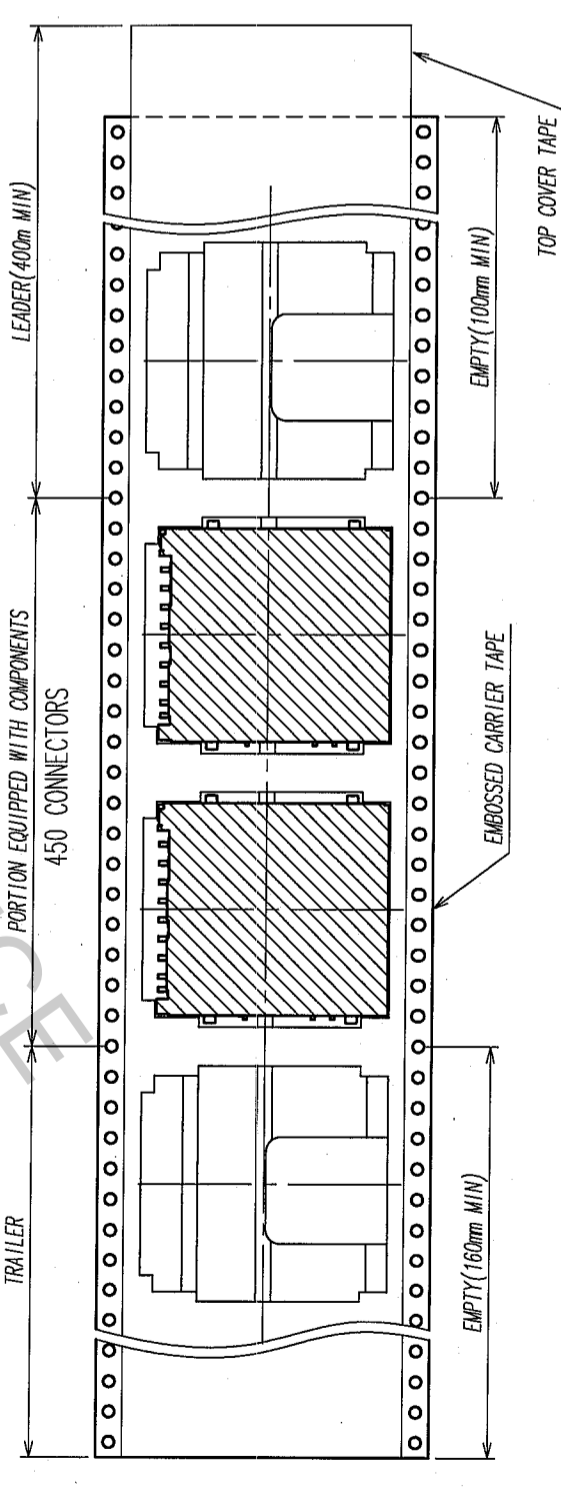
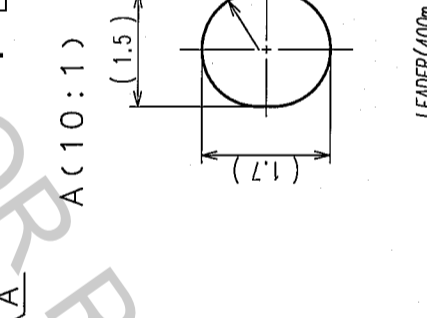
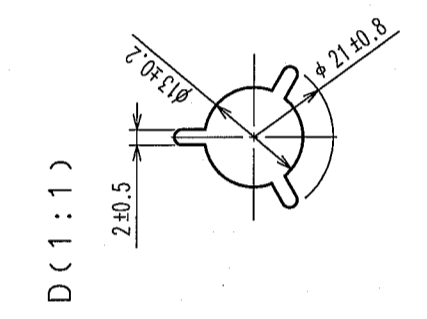
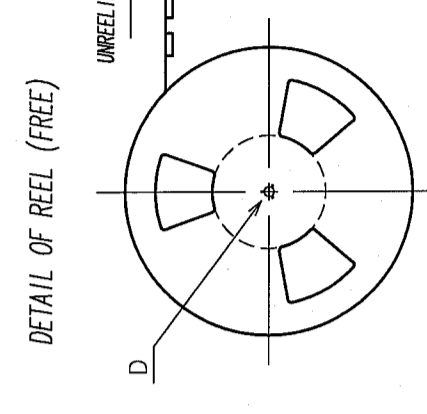
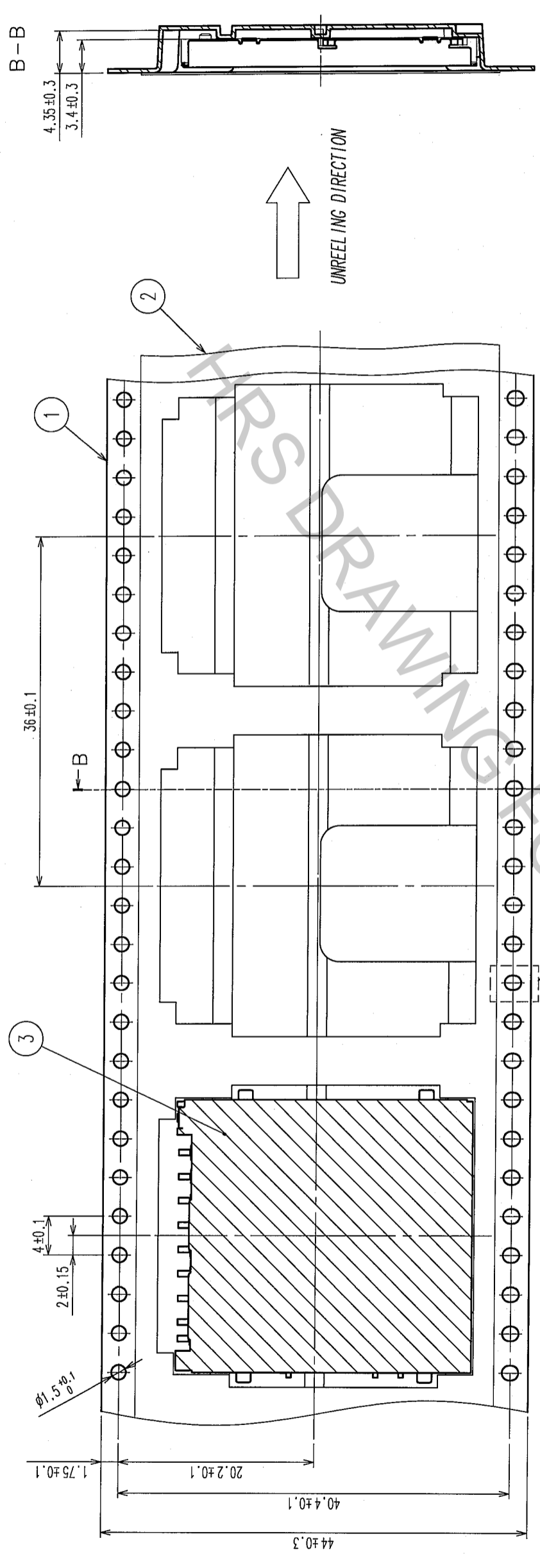


TO	
----	--

NO.	MATERIAL	FINISH, REMARKS	NO.	MATERIAL	FINISH, REMARKS
3	STAINLESS STEEL	MOUNTING AREA: NI0.5µm+Sn1µm	10	SWC	NI3µm
2	COPPER ALLOY	CONTACT AREA: NI2µm+Au0.2µm MOUNTING AREA: NI2µm+Au0.03µm	7~9	STAINLESS STEEL	CONTACT AREA: NI2µm+Au0.2µm MOUNTING AREA: NI2µm+Au0.03µm
1	LCP	BLACK UL94V-0	5, 6	COPPER ALLOY	BLACK UL94V-0
CODE NO. (OLD) CL		DRAWN H. SAITOU '05.07.19		DESIGNED H. SAITOU '05.07.19	
SCALE 2 : 1		CHECKED S. TOMIOKA '05.07.19		APPROVED K. AKIYAMA '05.07.19	
UNITS mm		PART NO. DM1AA-SF-PEJ (82)		RELEASED	

DRAWING NO. EDC3-153736-02	CODE NO. CL609-0004-8-82
HIROSE ELECTRIC CO., LTD.	

COUNT	DESCRIPTION OF REVISIONS	BY	CHKD	DATE	COUNT	DESCRIPTION OF REVISIONS	BY	CHKD	DATE



NO.	MATERIAL	FINISH, REMARKS	DRAWN	DESIGNED	CHECKED	APPROVED	RELEASED
3 (CONNECTORS)	POLYESTER		H.SAITOU	H.SAITOU	S.TOMIOKA	K.AKIYAMA	
2	PS		'05.07.19	'05.07.19	'05.07.19	'05.07.19	
1							

NO.	MATERIAL	FINISH, REMARKS	DRAWN	DESIGNED	CHECKED	APPROVED	RELEASED
3	POLYESTER		H.SAITOU	H.SAITOU	S.TOMIOKA	K.AKIYAMA	
2	PS		'05.07.19	'05.07.19	'05.07.19	'05.07.19	
1							

DRAWING NO.	EDC3-153736-02	PART NO.	DM1AA-SF-PEJ (82)
SCALE	2 : 1	CODE NO.	CL609-0004-8-82
UNITS	mm		

TO