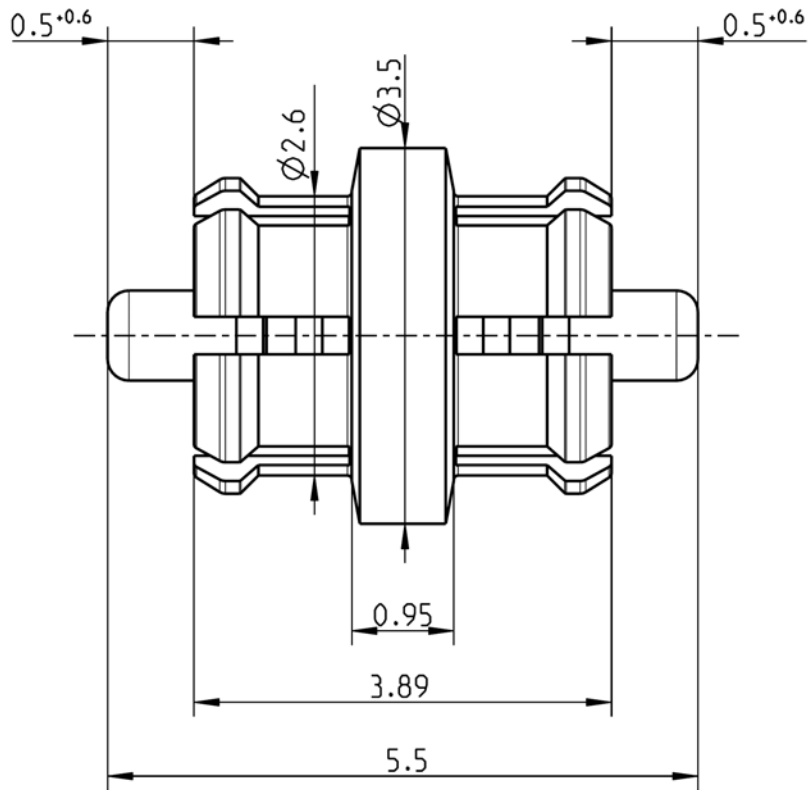


FMC

ADAPTOR
PLUG - PLUG

16S101-S00L5



All dimensions are in mm; tolerances according to ISO 2768 m-H

Interface

According to N/A

Documents

N/A

Material and plating

Connector parts

Center contact
Outer contact
Dielectric

Material

Brass
Beryllium copper
PTFE

Plating

AuroDur, gold plated
AuroDur, gold plated

FMC

ADAPTOR
PLUG - PLUG

16S101-S00L5

Electrical data

Impedance	50 Ω
Frequency	DC to 10 GHz
Return loss	≥ 25 dB, DC to 5 GHz ≥ 22 dB, 5 to 10 GHz
Insertion loss	≤ 0.1 dB x √f [GHz]
Insulation resistance	≥ 5 x10 ³ MΩ
Center contact resistance	≤ 6 mΩ
Outer contact resistance	≤ 2 mΩ
Test voltage	500 V rms
Working voltage	335 V rms
Contact current	1.2 A DC max.

Mechanical data

Mating cycles	min. 100
Engagement force	Smooth bore 9 N max. Limited detent 45 N max. Full detent 68 N max.
Disengagement force	Smooth bore 2.2 N min. Limited detent 9 N min. Full detent 22 N min.

Environmental data

Temperature range	-40 °C to +105 °C
Max. soldering temperature	+260 °C for 10 sec.
Rapid change of temperature	IEC 60169-1 clause 16.4 (-40 °C to +105 °C)
Mixed flowing gas	DIN EN 60068-2-60 meth. 4 (10 d)
Vibration	IEC 61169-1 clause 9.3.3 (10-2000 Hz; 15 g)
Shock	IEC 60169-1 clause 15.8 (50 g 11 ms half-sine)
Damp heat	IEC 60169-1 clause 16.3 (+40 °C 56 d)
2002/95/EC (RoHS)	compliant

Suitable cables

N/A

Weight

Weight	0.11 g/pce
--------	------------

While the information has been carefully compiled to the best of our knowledge, nothing is intended as representation or warranty on our part and no statement herein shall be construed as recommendation to infringe existing patents. In the effort to improve our products, we reserve the right to make changes judged to be necessary.

Draft	Date	Approved	Date	Rev.	Engineering change number	Name	Date
Andreas Fellner	07.07.05	Sa. Krautenbacher	11.03.14	g00	14-0352	T. Krojer	11.03.14
Rosenberger Hochfrequenztechnik GmbH & Co. KG P.O.Box 1260 D-84526 Tittmoning Germany www.rosenberger.de					Tel.: +49 8684 18-0 Fax: +49 8684 18-499 email: info@rosenberger.de		Page 2 / 2