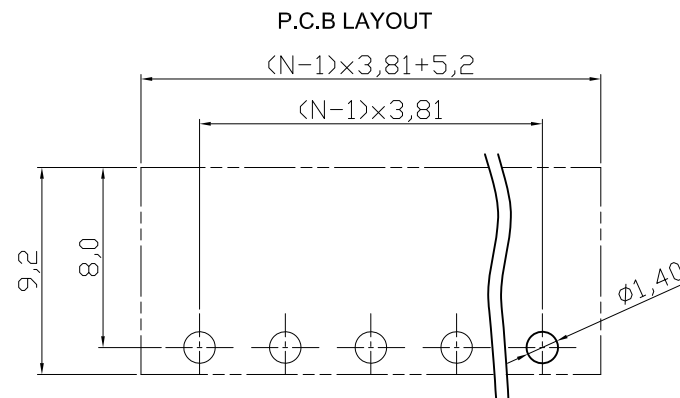
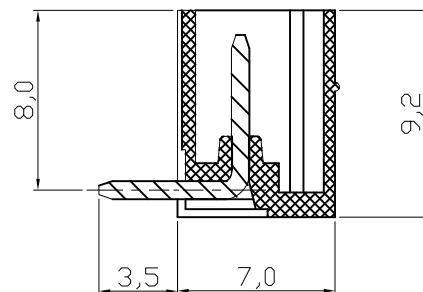


N= NUMBER OF CONTACTS



Material

Terminal body
 (contact pin): Brass(CuZn) Tin plated
 Insulator (housing): Thermoplastic (UL94V-0),Green

Electrical cULus/CSA/VDE

Voltage rating: 300VAC/125VAC/125VAC
 Current rating: 10A/8A/10.5A
 Wire range:
 Solid wire(AWG):
 Stranded wire(AWG):
 Withstanding Voltage: 1.6KV/1.6KV/2.5KV
 Operating temperature: -30°C to +105°C
 Soldering temperature: 250°C±10°C/5 Sec
 Safety Approval:

RoHS compliant

Scale	1:1	Date		Name	
TOLERANCE		Drawn	13.09.2006	Hellwig	Customer-No.
X.	±0.50	Approved	10.12.2009	Hellwig	ASSMANN WSW-No. A-TB381-OQxxCH
X.X	±0.30				
X.XX	±0.10	③	Modify Notes	10.12.2009	Dean
DIM	TOL	②	Update	29.07.2009	Dean
X.°	±1°	①	Drawn	13.09.2006	Hellwig
X.X°	±X°				
Angle	TOL	Id.	Modification	Date	Name



Drawing-No.		ASS 2071 CO	rev03
Replace	Sheet		