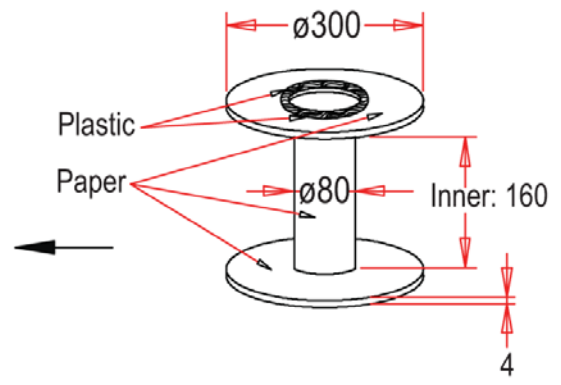
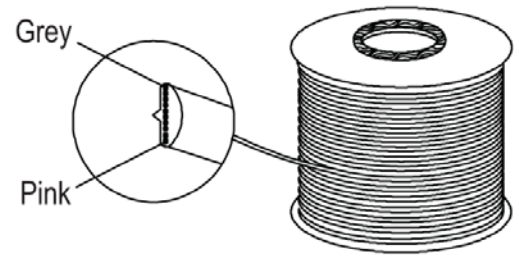


**Sec: A - A**



**1,000Ft/R. "PE" Foam Wrapped**

Unit: MM



Scale	1:1					Name
TOLERANCE					Drawn	12.19.11
X.X	±0.40				Chappell	
X.XX	±0.25				Approved	
X.XXX	±0.15					
Angle	±3°					
Modification	Date	Name				

Item No.	<b>AT-K-26-10-S/1000</b>
Title	Modular Straight cable - Raw, 10 Contact, 26AWG, Silver, 1,000Ft.
Drawing No.	
Replace	rev00
Sheet	