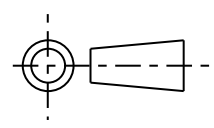


| ISS. | DATE | E.C.N. | DESCRIPTION |
|------|-----------|-----------|------------------------|
| 2 | 15-Jan-07 | 1/07/1199 | EJECTOR SIZE INCREASED |

© 2007 CARCLO
ALL DIMENSIONS IN mm



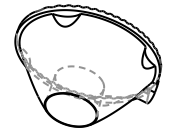
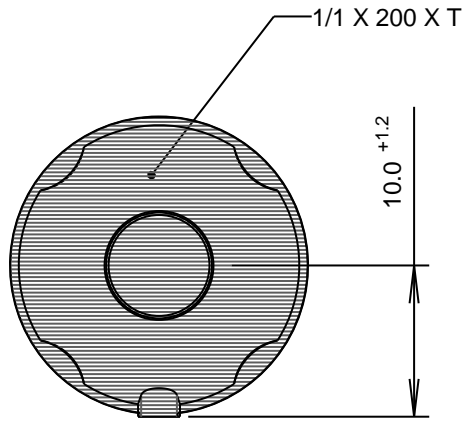
CARCLO TECHNICAL PLASTICS (SLOUGH)
111 BUCKINGHAM AVE, SLOUGH
SL1 4PF, ENGLAND
TEL: +44 1753 575011 FAX: +44 1753 811359
e-mail: design@carclo-optics.com}

CUSTOMER DRAWING

- NOTES:
1. MATERIAL - UV STABILISED POLYCARBONATE
2. INCLUSIONS SPECIFIED TO BS4301

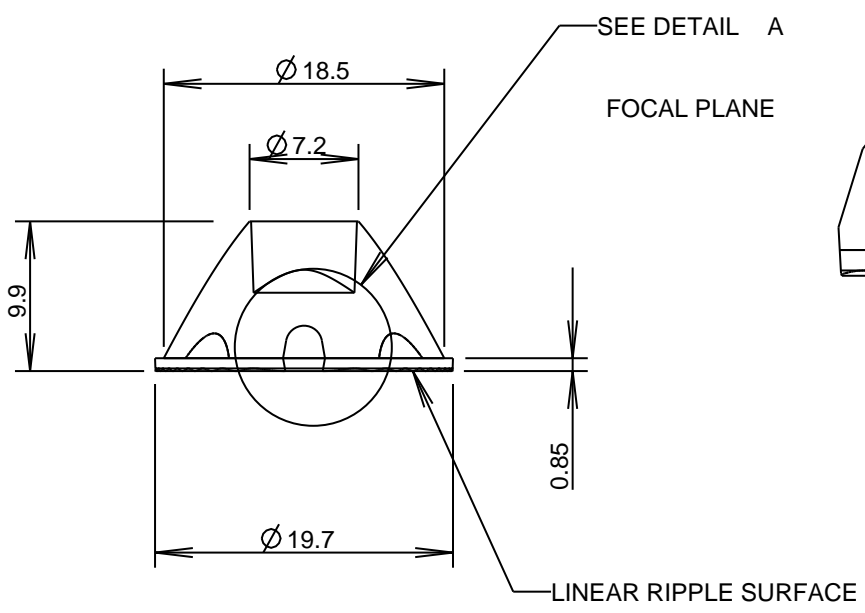
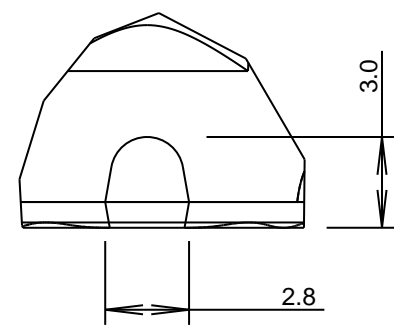
GENERAL TOLERANCES (UNLESS STATED)

| LINEAR | ANGULAR |
|---------------|---------------|
| X +/- 0.25 | X +/- 1° |
| X.X +/- 0.1 | X.X +/- 0.5° |
| X.XX +/- 0.05 | X.XX +/- 0.1° |



3D VIEW
SCALE 1:1

DETAIL A
SCALE 4:1



| | | |
|---|-----------------|--------|
| CUSTOMER | | |
| CARCLO | | |
| TITLE | | |
| LINEAR 0.8MM OFFSET FOCUS 20 MM DIAMETER OPTIC | | |
| DRAWN | DATE | |
| AJD | 17-Aug-06 | |
| CHK'D | DATE | |
| APP'D | DATE | |
| SCALE | CARCLO PART No. | |
| 2:1 | 10197 | |
| SIZE | CARCLO DRG. No. | SHEET |
| A4 | 60432 | 1 OF 1 |