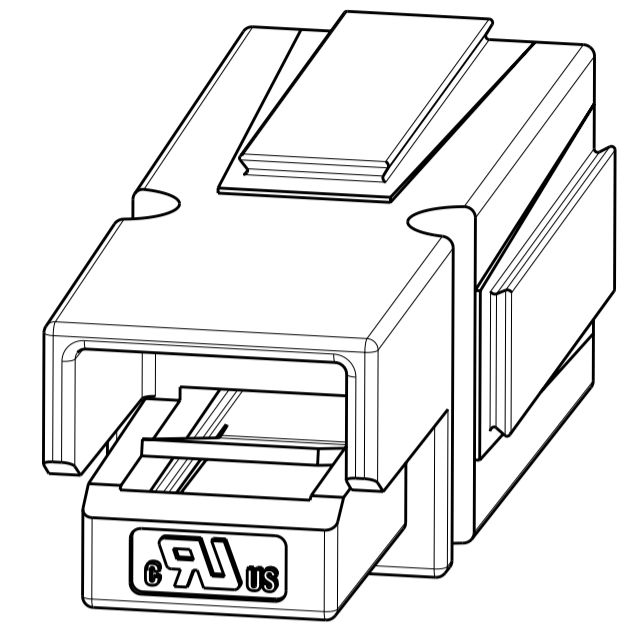
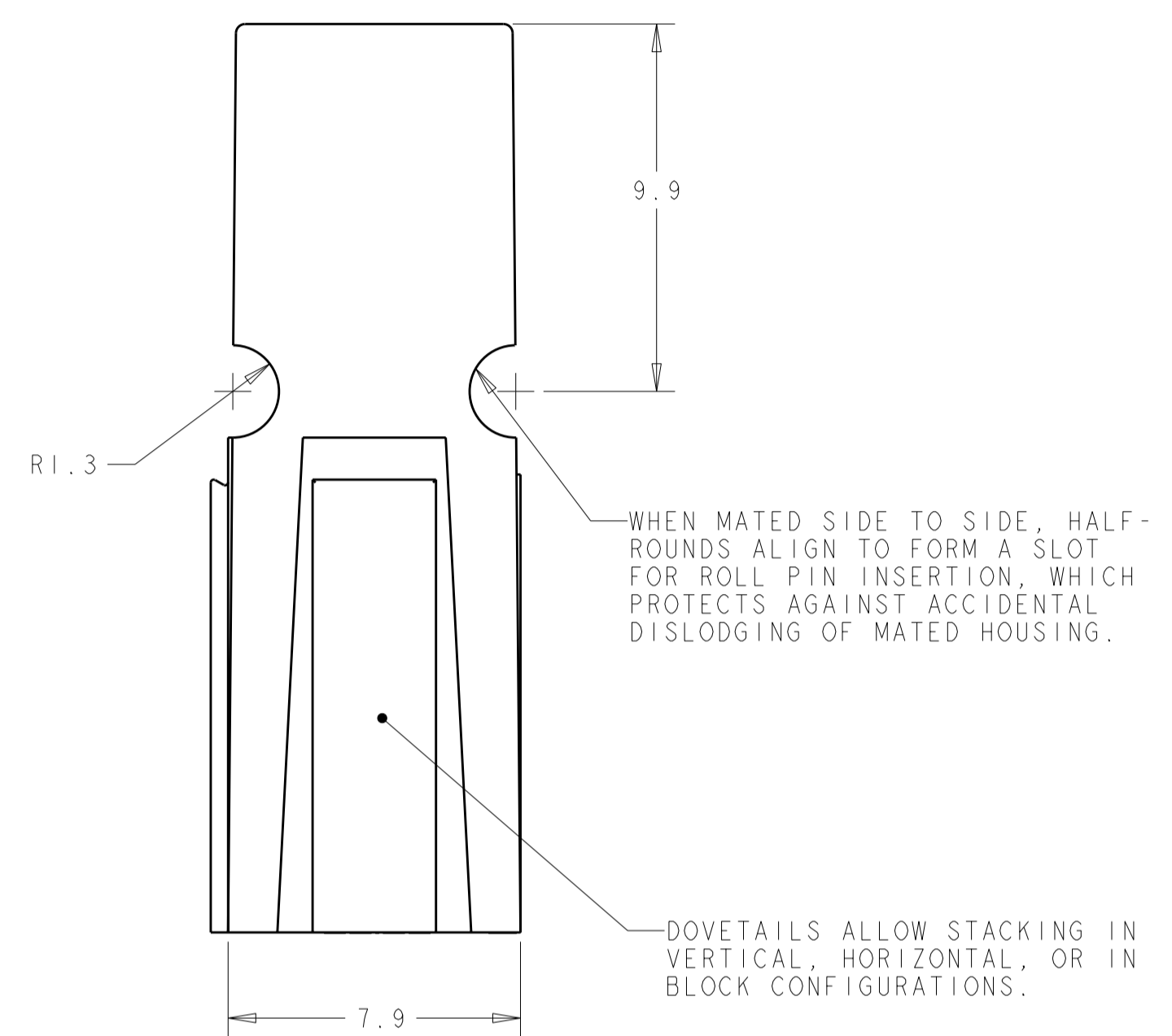
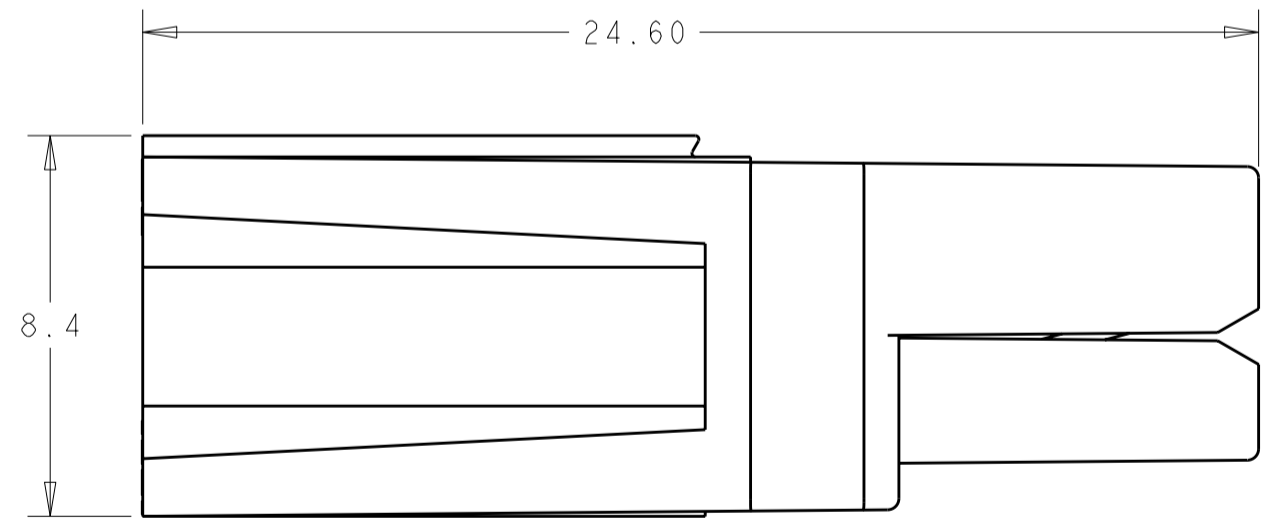
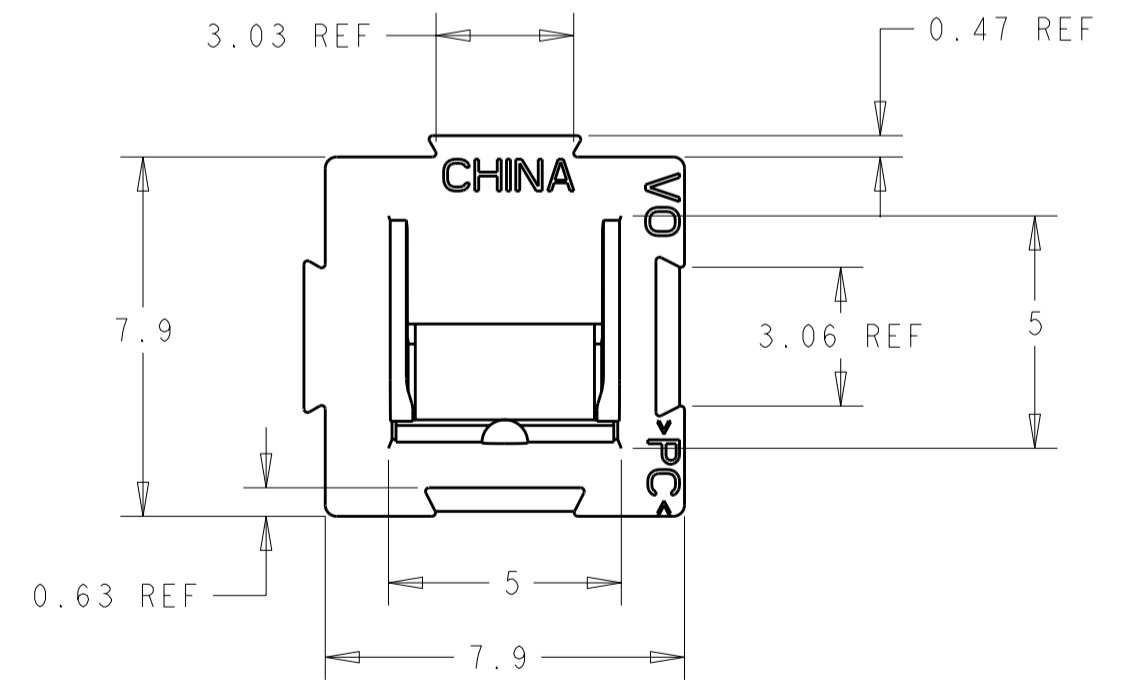


THIS DRAWING IS UNPUBLISHED. RELEASED FOR PUBLICATION 20
 © COPYRIGHT 20 BY - ALL RIGHTS RESERVED.

| LOC | | DIST | | REVISIONS | | | |
|-----|-----|---------------------------|-----------|-----------|------|--|--|
| P | LTR | DESCRIPTION | DATE | DWN | APVD | | |
| | C | REVISED PER ECO-11-019283 | 17OCT2011 | KH | DY | | |



1. SPRING/HOUSING ASSEMBLIES ARE UL AND CSA RECOGNIZED PER FILE TBD.
2. THESE HOUSING ASSEMBLIES ACCOMMODATE TE CONNECTIVITY CONTACTS FOR WIRE RANGES FROM #20 AWG TO #10 AWG.
3. HOUSING: POLYCARBONATE, UL94V0.
SPRING: STAINLESS STEEL.



| OBSOLETE | COLOR | PART NUMBER |
|----------|--------|-------------|
| | BROWN | 1445957-9 |
| | GRAY | 1445957-8 |
| | ORANGE | 1445957-7 |
| | YELLOW | 1445957-6 |
| | RED | 1445957-5 |
| | GREEN | 1445957-4 |
| | WHITE | 1445957-3 |
| | BLACK | 1445957-2 |
| | BLUE | 1445957-1 |
| | COLOR | PART NUMBER |

THIS PRODUCT HAS PASSED VERIFICATION AND AGENCY APPROVALS TESTING AND IS COMPONENT RECOGNIZED PER UL 1977 AND CSA 22.2. TE CONNECTIVITY PRODUCT QUALIFICATION TESTING IS NOT YET COMPLETE.

| | | | | |
|--|--|-----------------------------------|---|--------------------|
| THIS DRAWING IS A CONTROLLED DOCUMENT. | | DWN B. HAYMAKER 06NOV01 | TE Connectivity | |
| DIMENSIONS: mm | | CHK K. KETELSIEGER 25JAN02 | | |
| TOLERANCES UNLESS OTHERWISE SPECIFIED: | | APVD K. KETELSIEGER 25JAN02 | NAME ASSEMBLY, 15/30/45A SINGLE POLE POWER PRODUCT | |
| 0 PLC ±0.13 1 PLC ±0.13 2 PLC ±0.13 3 PLC ± 4 PLC ± ANGLES ±1 FINISH | | PRODUCT SPEC - | SIZE A200779 | |
| MATERIAL - | | APPLICATION SPEC - | DRAWING NO C-1445957 | RESTRICTED TO - |
| CUSTOMER DRAWING | | WEIGHT - | SCALE 6:1 | SHEET 1 OF 1 |
| | | | REV C | |