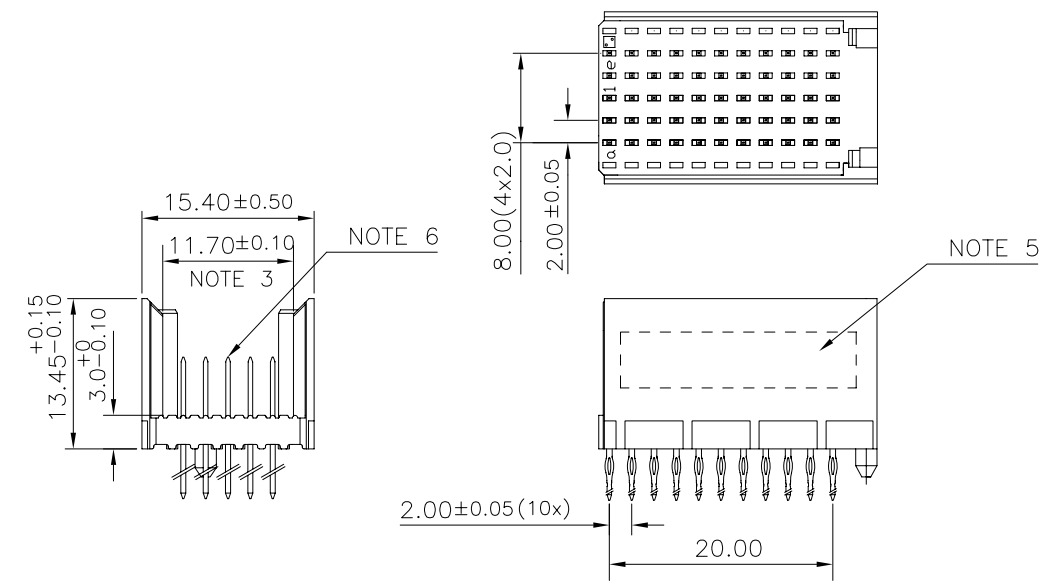


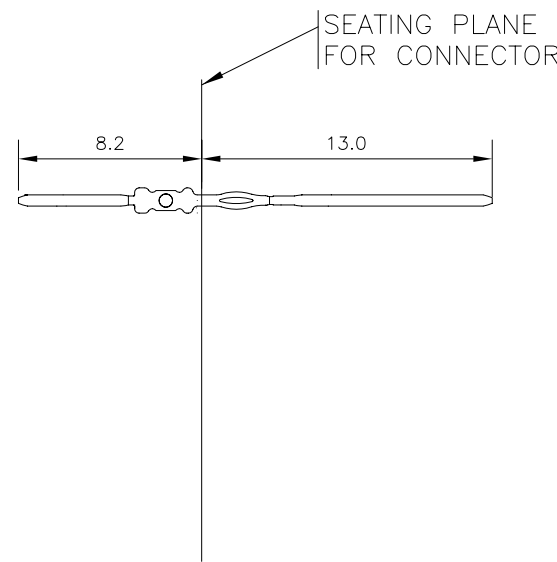
LOADING PATTERN MATING SIDE

f	0	0	0	0	0	0	0	0	0	0
e	7	7	7	7	7	7	7	7	7	7
d	7	7	7	7	7	7	7	7	7	7
c	7	7	7	7	7	7	7	7	7	7
b	7	7	7	7	7	7	7	7	7	7
a	7	7	7	7	7	7	7	7	7	7
z	0	0	0	0	0	0	0	0	0	0
POS	01	05	10							

LOADED CONNECTOR ASSEMBLY
(FOR EXAMPLE)



CONTACT OVERVIEW

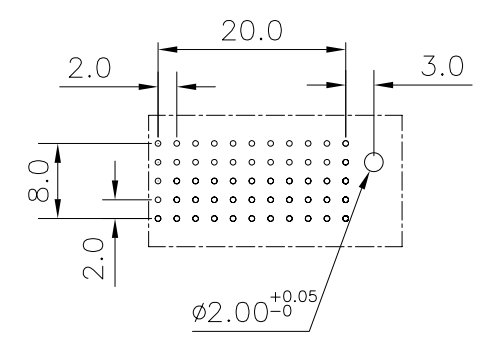


HM2P09PK5110-
LEAD FREE INDICATOR : LF = LEAD FREE
(DIGIT 15 & 16)
PLATING CODE (DIGIT 13 AND 14)

PLATING TABLE

CODE	PLATING	CONTACT AREA	TYPE OF TERMINAL	PERFORMANCE LEVEL
BA	0.75µ Au	GOLD OVER NICKEL PLATING.	REAR PLUG-UP EON PRESSFIT CONTACTS	IEC PERFORMANCE LEVEL 2 (250 mating cycles) or TELCORDIA CO
BB	1.25µ Au	GOLD OVER NICKEL PLATING.	REAR PLUG-UP EON PRESSFIT CONTACTS	TELCORDIA UE

LAY-OUT P.C.B.-HOLE



NOTES

- THIS PRODUCT IS CSA APPROVED.
 - THIS PRODUCT IS UL RECOGNIZED.
 - MEASURED AT THE BOTTOM.
 - MATERIAL CONTACT: PHOSPHOR BRONZE
HOUSING : CREAM WHITE GLASS FILLED POLYESTER UL-94V0
 - CONNECTOR PRINTED WITH P/N AND DATE CODE.
 - FOR ACTUAL CONTACT LOADINGS, SEE LOADING PATTERN MATING SIDE.
 - SHAPE OF CONNECTOR HOUSING CAN ALTER DEPENDING ON PRODUCTION LOCATION
 - THE PRODUCT (LF) MEETS EUROPEAN UNION DIRECTIVES AND OTHER COUNTRY REGULATIONS AS DESCRIBED IN GS-22-008
 - FOR RECOMMENDED PTH DIMENSIONS REFER DRAWING : BS, A , 201572 , 001
- CATALOG NO: HM2P09PK5110-

mat'l. code	SEE NOTE 4	surface	ISO 1302	tolerance	ISO 406 ISO 1101	projection	product family	MILLIPACS
ltr	ecn no	dr	date	tolerances unless otherwise specified		MM	title	
A	108-0097	MINI	2008-09-10	angles	.0±0.2		MILLIPACS 5+2R STR HDR PF CONN TYPE C	
B	109-0210	MINI	2009-10-06	linear	.00±0.1	scale -	dwg no	
C	109-0290	AB	2009-12-29	0°±1°			sheet 1 of 1	
D	110-0018	MINI	2010-01-13	dr	MINI K VANDANATH	2008-09-10	size	
				enr	ALEX BABU	2008-09-10	A3	
				chr	ALEX BABU	2008-09-10	type	
				appd	ALEX BABU	2008-09-10	Product Customer Drawing	
sheet index	revision sheet	D	1					



Copyright FCI