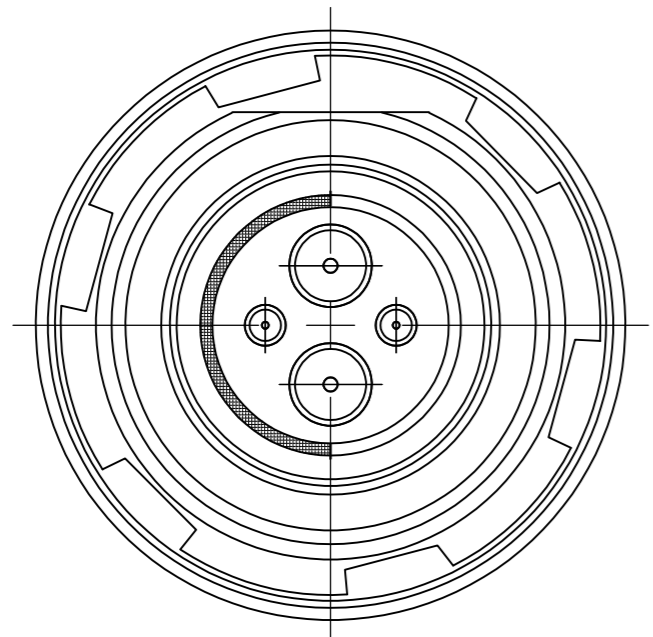
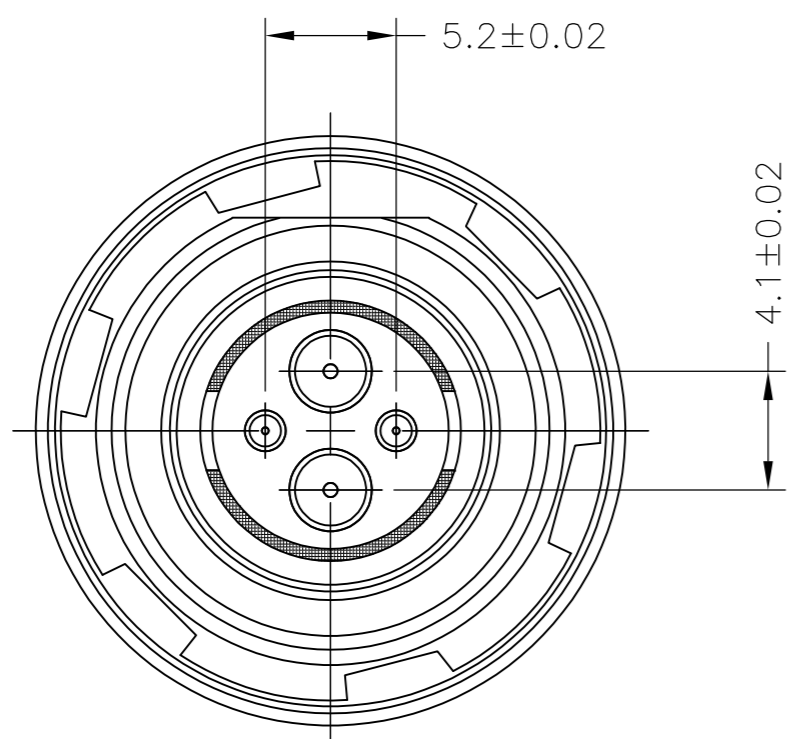


THIS DRAWING IS UNPUBLISHED. RELEASED FOR PUBLICATION
 © COPYRIGHT - By - ALL RIGHTS RESERVED.

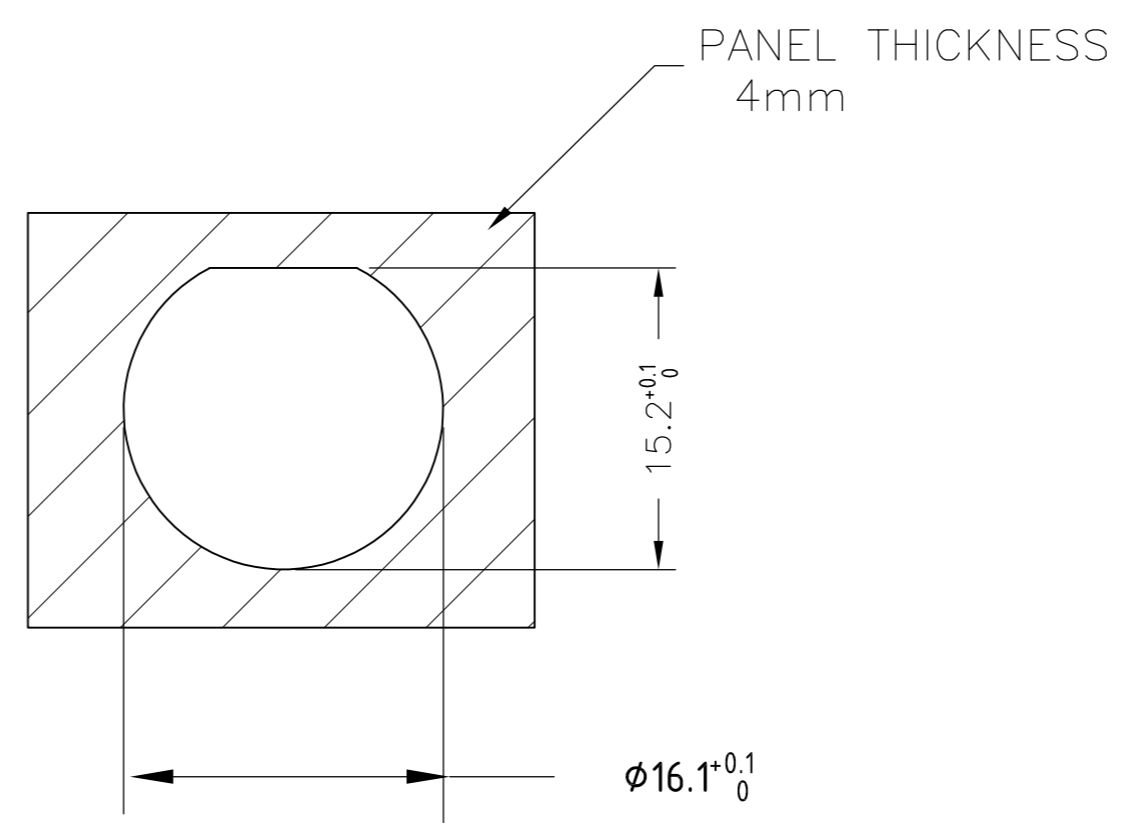
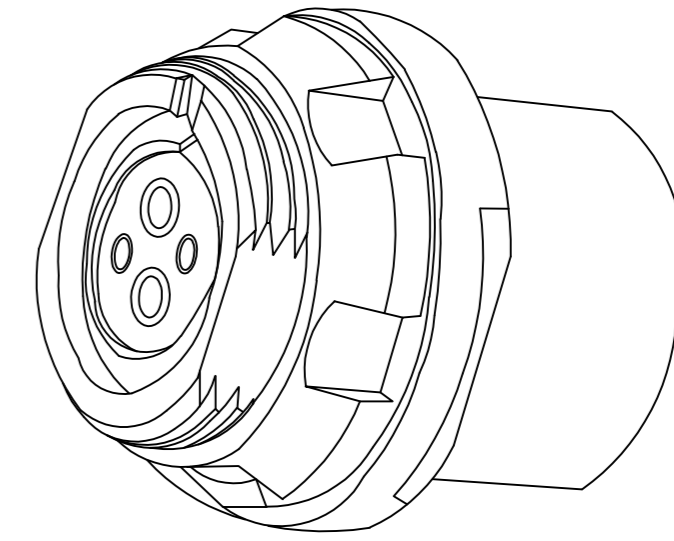
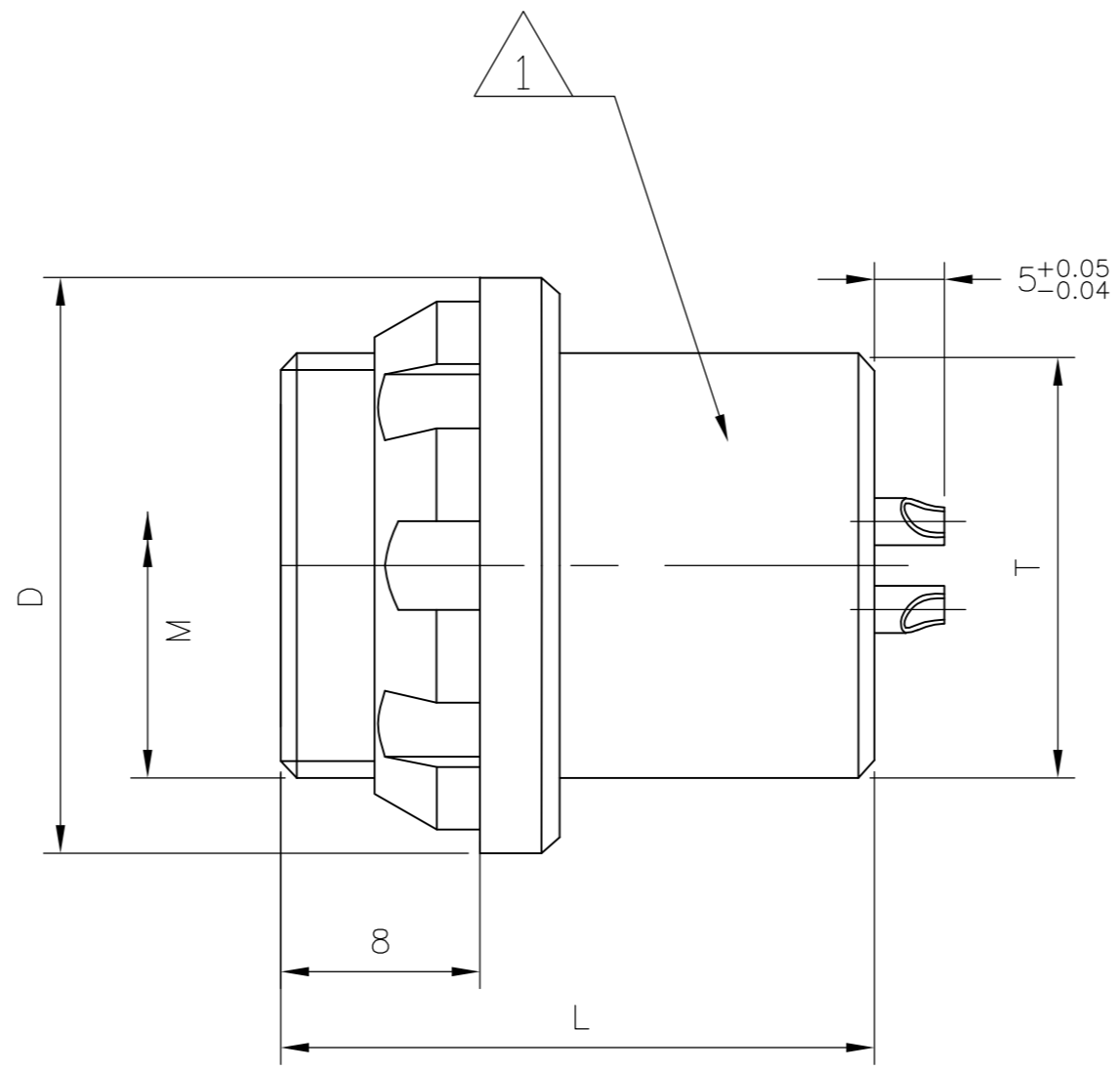
LOC		DIST		REVISIONS			
P	LTR	DESCRIPTION	DATE	DWN	APVD		
C		REVISED PER ECO 13-001843.	08FEB2013	MGM	CT		



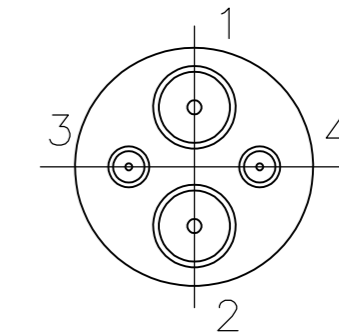
SINGLE POLARIZATION



DOUBLE POLARIZATION



PANEL CUTOUT



CAVITY IDENTIFICATION WHEN VIEWED FROM REAR OF CONNECTOR

1 THE PART IS MARKED WITH THE TE PART NUMBER, CHINA, DATE CODE AND LOT ID.

- 2. DWV RATING: 875VAC @ SEA LEVEL
- 3. WIRE SIZE: 2.3mm - 12 AWG MAX
0.9mm - 22 AWG MAX
- 4. WORKING TEMPERATURE: -55°C ~ +125°C

5 MATERIAL:
 CONTACT : COPPER ALLOY
 SHELL : COPPER ALLOY
 INSULATOR : PEEK
 O RING : SILICONE RUBBER

6 FINISH
 CONTACT: GOLD OVER NICKEL
 SHELL : BLACK CHROMIUM

7. WATER PROOF: 1M IMMERSION

8 ALL TOLERANCES ±.20 UNLESS NOTED.

CHROMIUM-BLACK	DOUBLE	SOLDERING	22.5	φ15	M16X1	φ22	4	2157468-2
CHROMIUM-BLACK	SINGLE	SOLDERING	22.5	φ15	M16X1	φ22	4	2157468-1
FINISH	POLARIZATION	TERMINATION	L	T	M THREAD	D	SHELL SIZE	TE PART NUMBER

THIS DRAWING IS A CONTROLLED DOCUMENT.

DWN	C.C THOMAS	03MAR11
CHK	R. GROSS	03MAR11
APVD	R. GROSS	03MAR11
PRODUCT SPEC	108-127005	
APPLICATION SPEC		
WEIGHT	-	
CUSTOMER DRAWING		

TE TE Connectivity

CIRCULAR HD RECEPTACLE WITH PIN CONTACTS, JAM NUT, FRONT MOUNTING, SOLDER CUP 4 POS.

SIZE	CAGE CODE	DRAWING NO	RESTRICTED TO
A2	00779	C=2157468	-
SCALE	NTS	SHEET	1 of 1
REV	C		