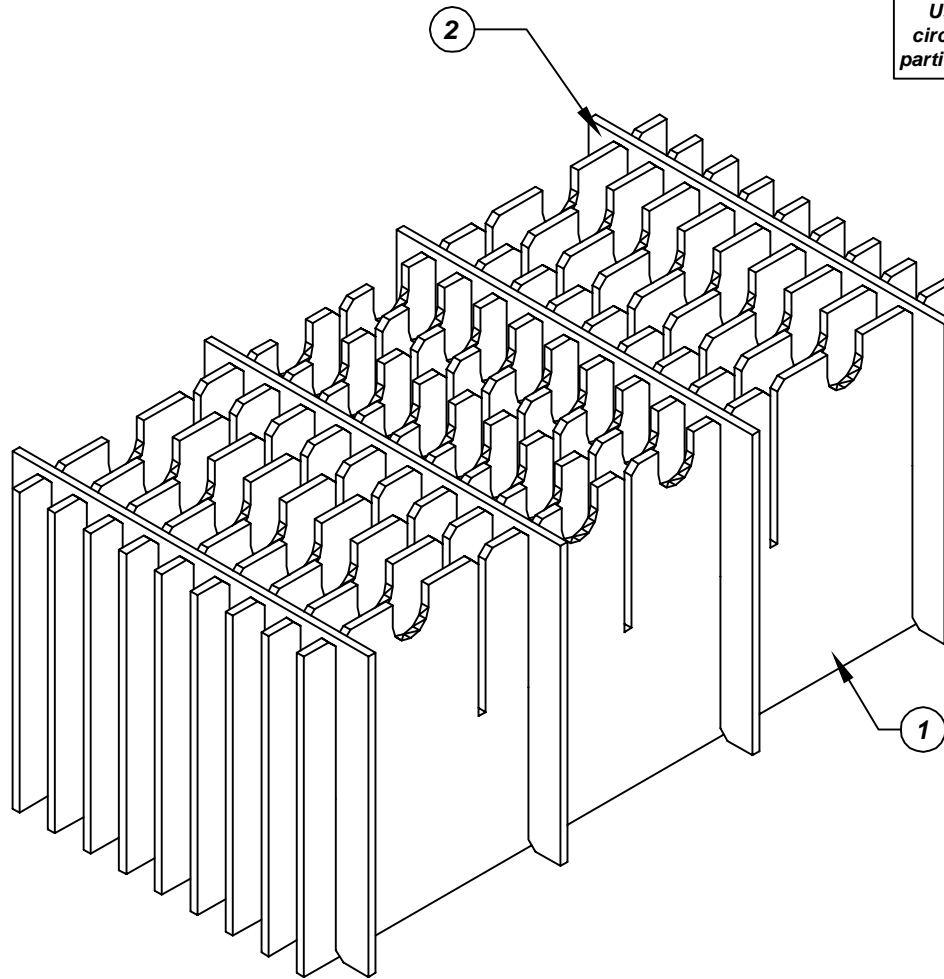
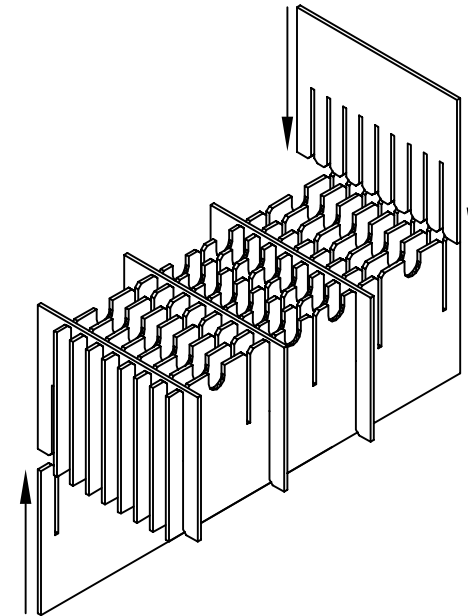
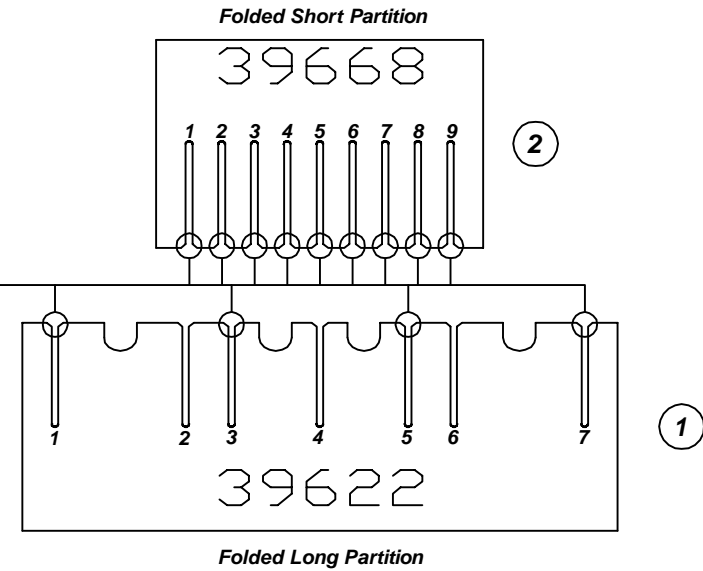


# Assembly Instructions for - 37268



Use only the circled slots for partition assembly



Made in America

F/N ①	Part # 39622	Dimensions: 19-3/4" x 22-3/4"	Description: 404/440-LP Long Partition	Qty: 9
F/N ②	Part # 39668	Dimensions: 19-3/4" x 12-1/2"	Description: 440-SP Short Partition	Qty: 4

## 37268 - 30 Cell Inplant Handler Cell Size - 10" x 6-1/2" x 1"

Notes:  
For use with the following storage container & lid:  
37514 - Storage Container  
37552 - Lid

PROTEKTIVE PAK  
13520 MONTE VISTA AVENUE, CHINO, CA 91710  
PHONE (909) 627-2578, FAX (909) 363-7331  
ProtektivePak.com



DRAWING NUMBER  
**IPH-37268**

DATE  
Dec.  
2007