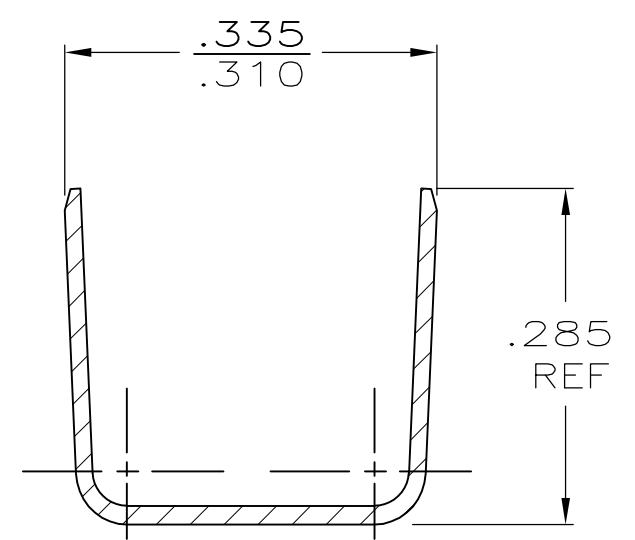
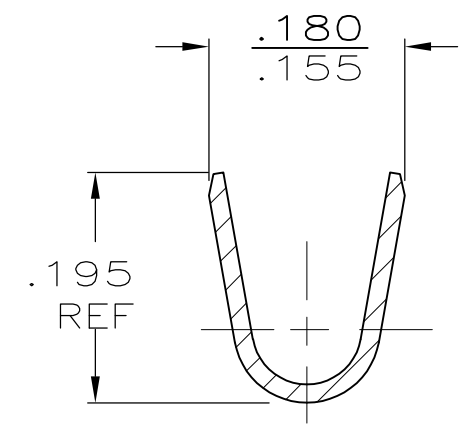
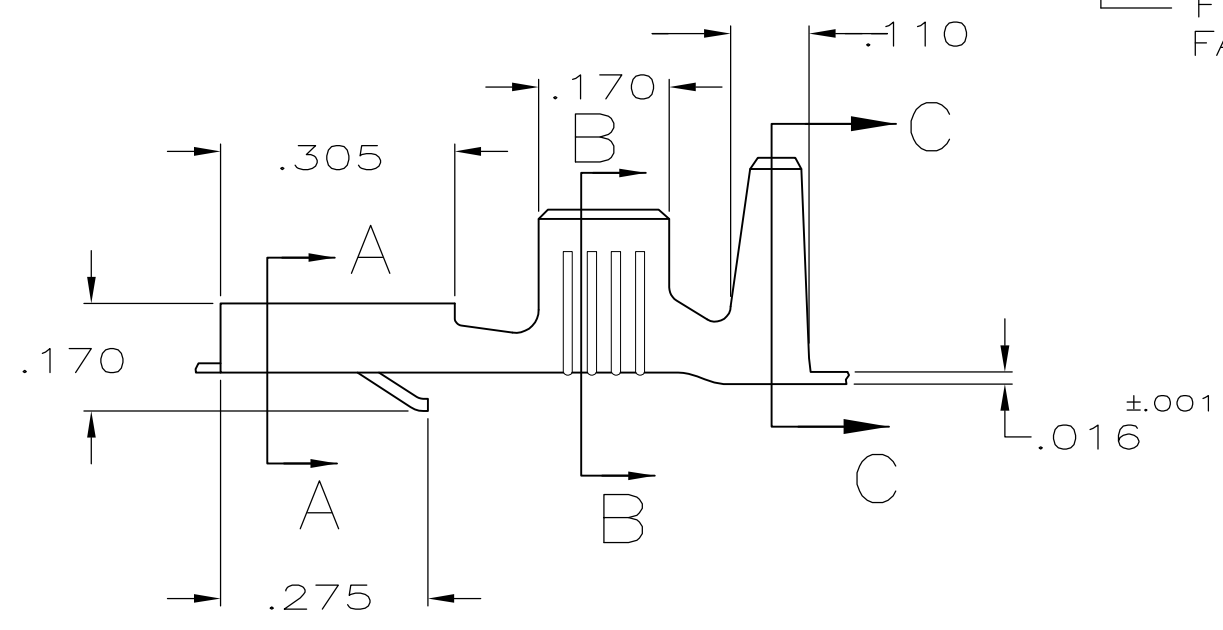
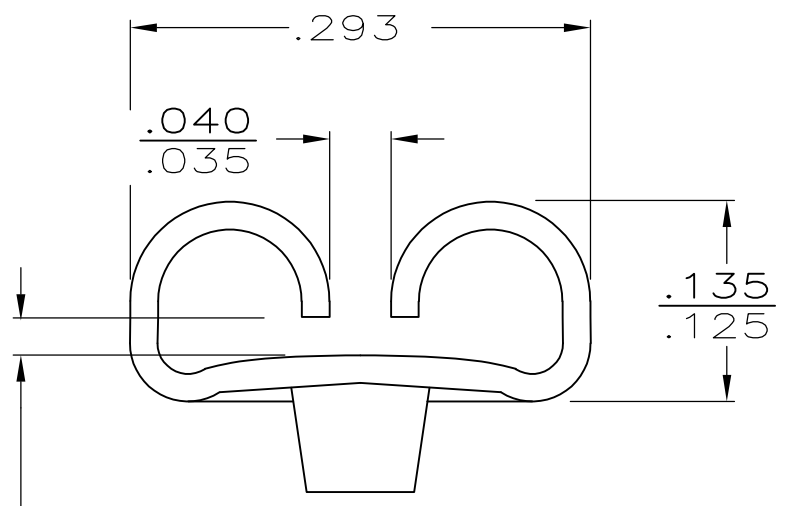
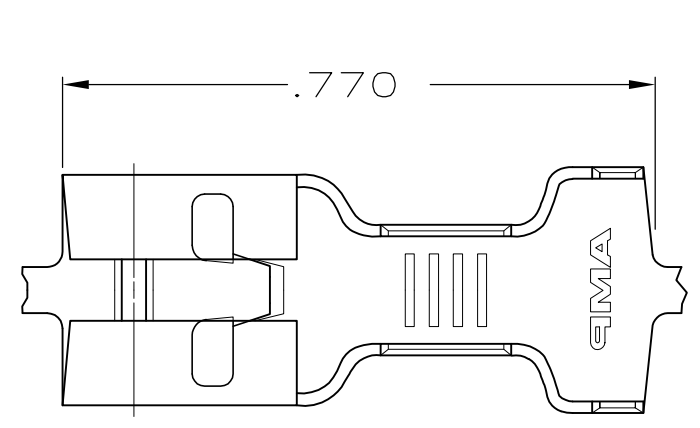



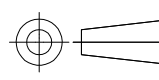
THIS DRAWING IS UNPUBLISHED. RELEASED FOR PUBLICATION  
 © COPYRIGHT - By - ALL RIGHTS RESERVED.

LOC	DIST	REVISIONS			
P	LTR	DESCRIPTION	DATE	DWN	APVD
AF	50	B	REV PER ECO-12-012571	09JUL12	JR PD

1 CONTINUOUS STRIP ON REELS.



.140 (2) MAX	14-10 OR 2 #14	63467-1
INSULATION RANGE	WIRE SIZE	PART NO.

THIS DRAWING IS A CONTROLLED DOCUMENT.		DWN	JR RUTH	5/7/87	 TE Connectivity RECEPTACLE, FASTON-FASTON, .250 SERIES
DIMENSIONS: INCHES 		CHK	G YETTER	5/14/87	
		APVD	J GILLESPIE	5/14/87	
TOLERANCES UNLESS OTHERWISE SPECIFIED: 0 PLC ± - 1 PLC ± - 2 PLC ± - 3 PLC ± .010 4 PLC ± - ANGLES ± -		PRODUCT SPEC	-		
MATERIAL #4H BRASS		FINISH	TIN		NAME SIZE CAGE CODE DRAWING NO RESTRICTED TO
		WEIGHT	-		A300779 C-63467
		CUSTOMER DRAWING		SCALE	NTS
		SHEET		1 OF 1	
		REV		B	