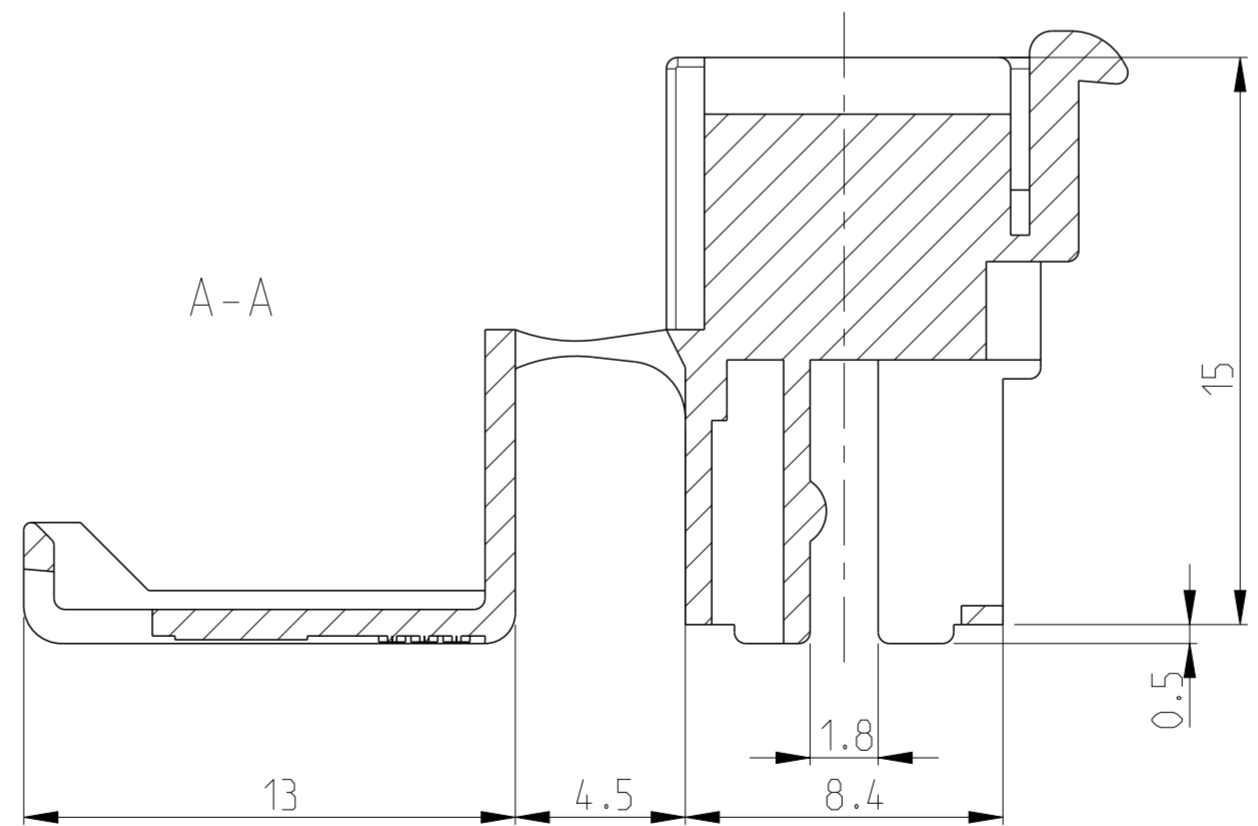
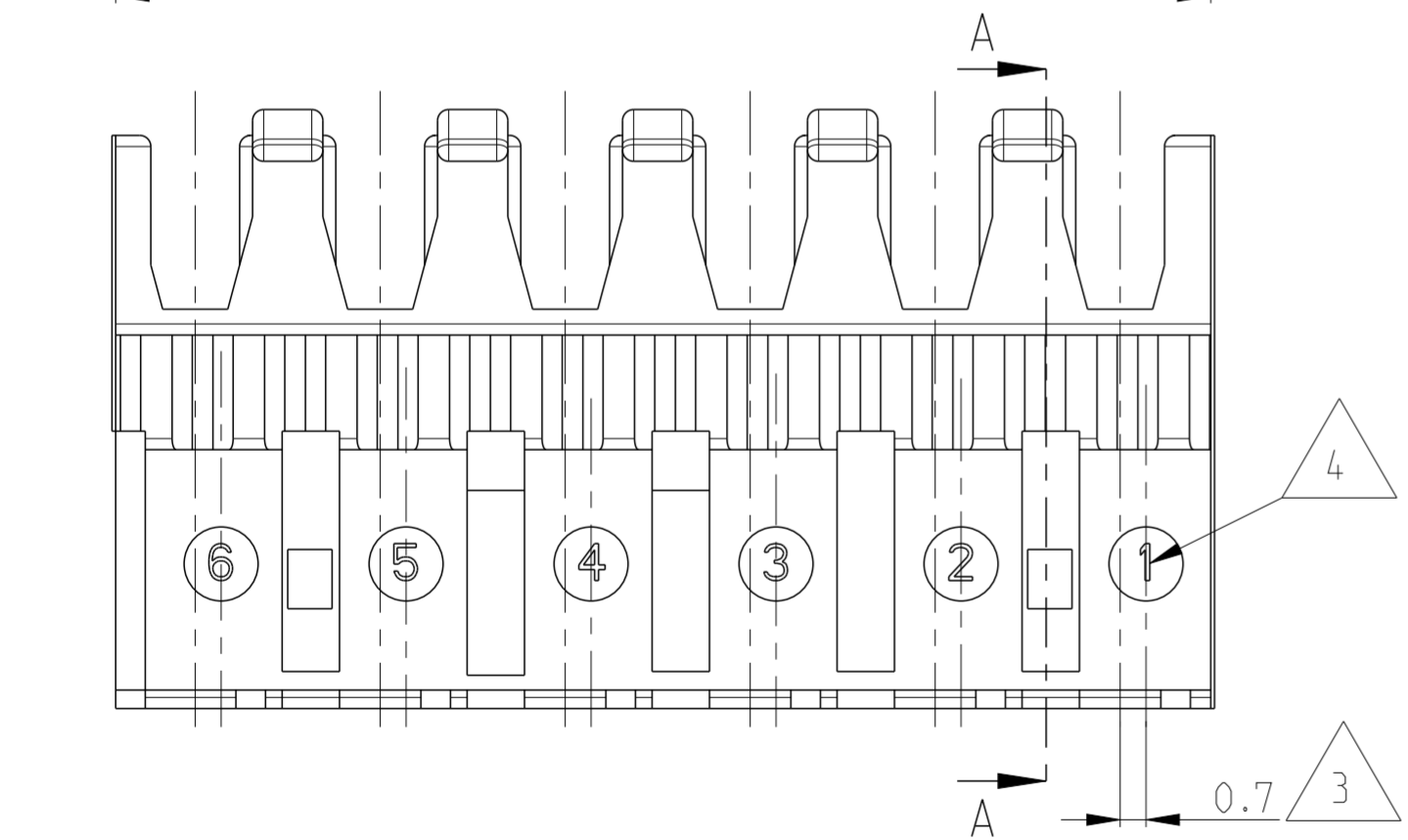
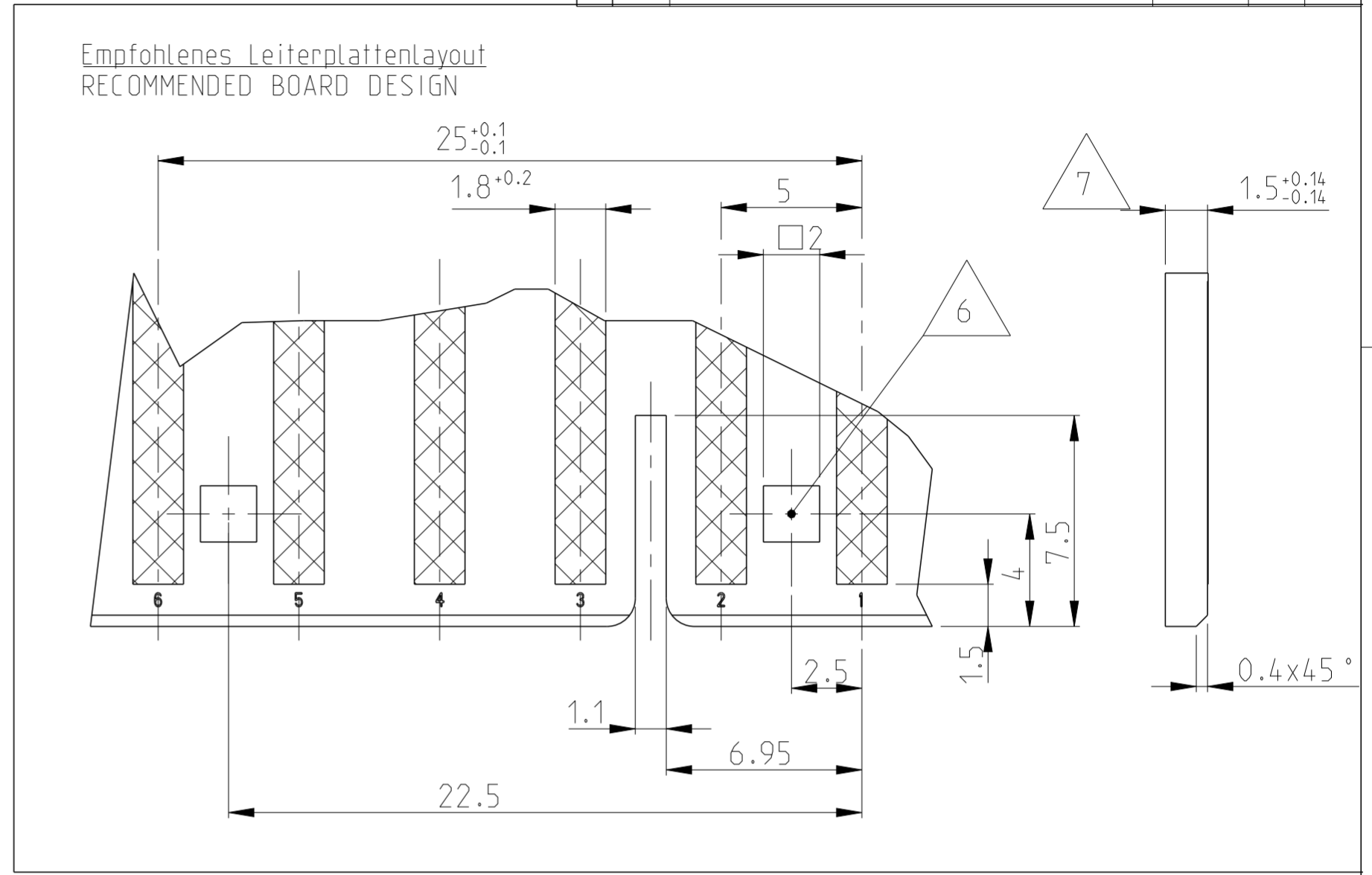
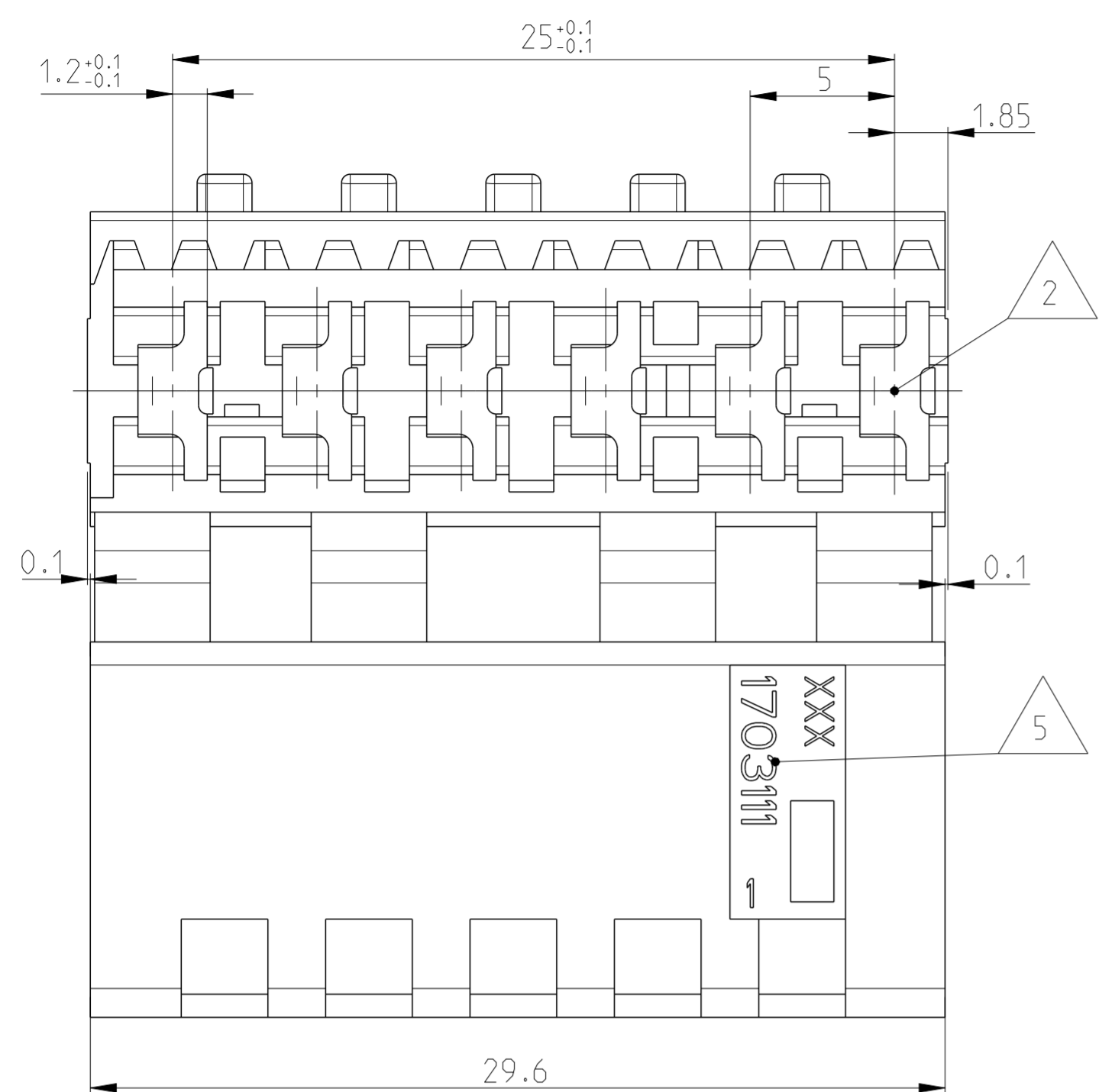


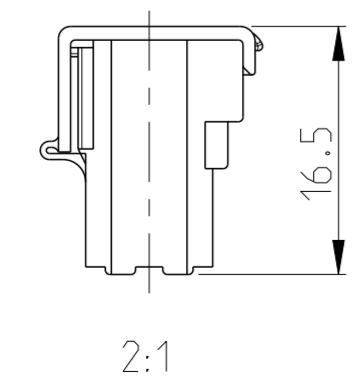
LOC	DIST	REVISIONS					
		P	LTR	DESCRIPTION	DATE	DWN	APVD
A1	-	B2		REVISED PER ECR-16-012572	04OCT2016	BW	RS



Bemerkungen  
NOTES

- 1 Massgebend ist der deutsche Text  
ONLY THE GERMAN-LANGUAGE VERSION SHALL BE BINDING
- 2 Lage des Kontaktpunktes auf der Leiterplatte; Abweichung ±0.4  
POSITION OF CONTACT POINT ON BOARD; DEVIATION ±0.4
- 3 Kontaktierung zur Drahtmitte um 0.7mm versetzt  
CONTACTING 0.7mm DISPLACED TO WIRE CENTRELINE
- 4 Kontaktkammer-Nr.  
CONTACT CAVITY #
- 5 Firmenlogo und Leergehäuse-Nr.  
ARTWORK LOGO AND HOUSING # (NON LOADED)
- 6 Vierkantloch 2x2 mm wahlweise Rastloch Ø2.5 mm  
SQUARE HOLE 2x2 mm OPTIONAL LOCKING HOLE Ø2.5 mm
- 7 Ausführung nach DIN 60249-2-4  
BOARD DESIGN ACCORDING TO DIN 60249-2-4
- 8 Crimp Kontakt-Nr.  
Material: CuSn4  
CRIMP CONTACT # MATERIAL: CuSn4  
926770-1; 926917-1

Schematische Darstellung des MT-Edge Gehäuses mit geschlossenem Deckel  
SCHEMATIC DESCRIPTION OF MT-EDGE HOUSING WITH CLOSED LID



OBSOLETE	1703111-2	MT-EDGE HOUSING	GREY
	1703111-1	MT-EDGE HOUSING	NATURE
PART-NO.:	DESCRIPTION	COLOUR	

THIS DRAWING IS A CONTROLLED DOCUMENT.		DWN MAHNKE, B. 27SEP2004	<b>STE</b> TE Connectivity	
DIMENSIONS: mm		CHK STREDAK, F. 20DEC2004		
TOLERANCES UNLESS OTHERWISE SPECIFIED:		APVD BLEICHER, M. 21DEC2004	NAME 6 POS. MT-EDGE HOUSING RAST 5mm	
0 PLC ±	±0.2mm	PRODUCT SPEC 108-18003	SIZE CAGE CODE DRAWING NO RESTRICTED TO	
1 PLC ±	±	APPLICATION SPEC 114-18002	A2 C=1703111	
2 PLC ±	±	WEIGHT 2.922 g	SCALE 5:1 SHEET 1 OF 1 REV B2	
3 PLC ±	±	MATERIAL PA6.6 / UL94V-2		
4 PLC ±	±°			
ANGLES FINISH				