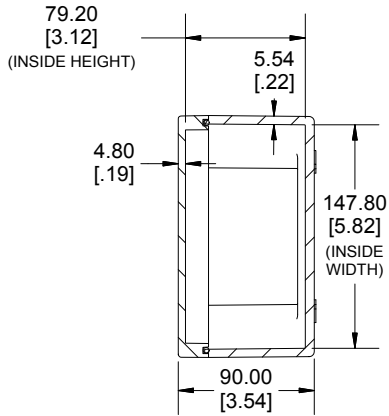
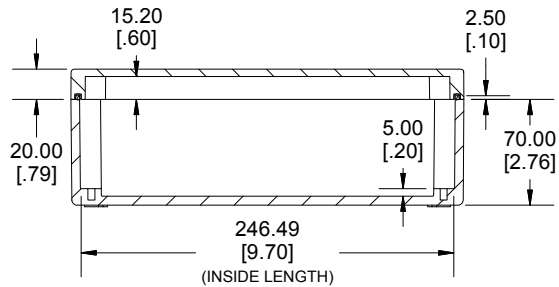
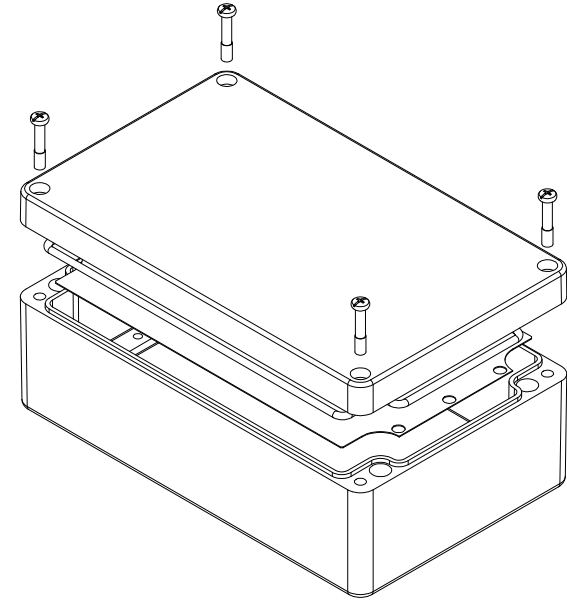


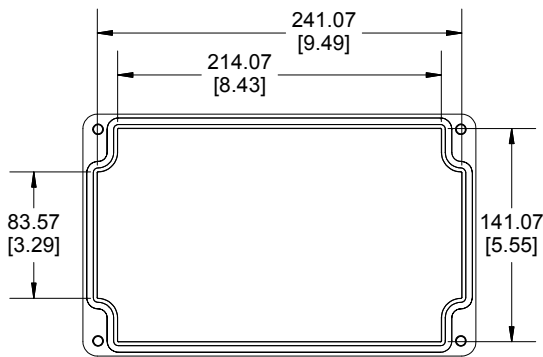
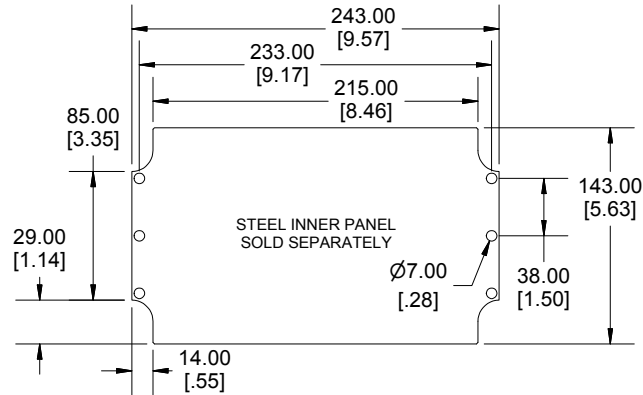
TOP VIEW



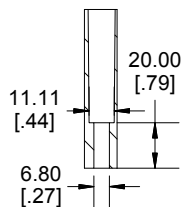
**SECTION B-B
END VIEW**



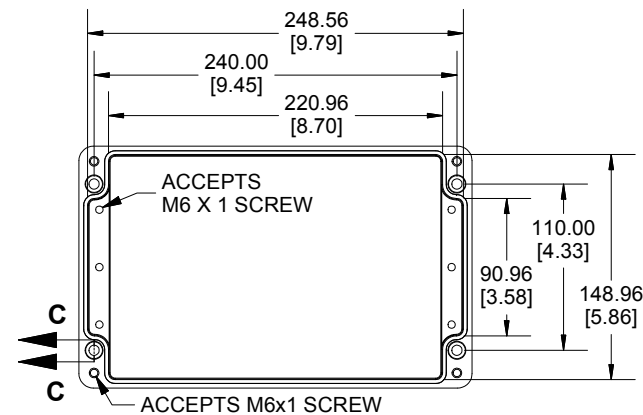
**SECTION A-A
SIDE VIEW**



INSIDE LID



**SECTION C-C
MOUNTING HOLE**



INSIDE BOX

Dimensions:
mm
[inches]



Enclosures can be Factory Modified (Milling, Drilling, Printing etc.)
Contact Factory mjm@hammondmfg.com for quotes
Solid models of this enclosure available in STEP or IGES.
(Part number and text placement/orientation on our products are subject to change, we do not recommend using them as a locating reference for modification purposes)

| NOTE | |
|--|---------------|
| Purchased assembly includes Box, Lid, Gasket and 4 cover screws | |
| Enclosure Molded from Glass Reinforced Polyester | |
| Recommended cover screw torque 8-9.5 lbf.in (90-110 cN.m) | |
| PART NUMBERS | |
| 1590ZGRP162 Enclosure | |
| Grey Enclosure | 1590ZGRP162GY |
| ACCESSORIES | |
| Copper Ground Hardware (20 Pack) [M6 - 1.0 X 6mm / M6 Washer] | SCGM6GRP-20 |
| Stainless Steel Cover Screw (20 Pack) [M6 - 1.0 x 30mm] | SC570-20 |
| Steel Inner Panel | 1590ZGRP162PL |
| Hinge Kit (2 Pack) | 1427HK |

