

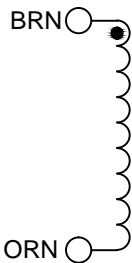
PRIMARY

SECONDARY

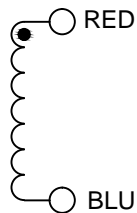
PRIMARY #1
117V 50/60Hz



PRIMARY #2
117V 50/60Hz



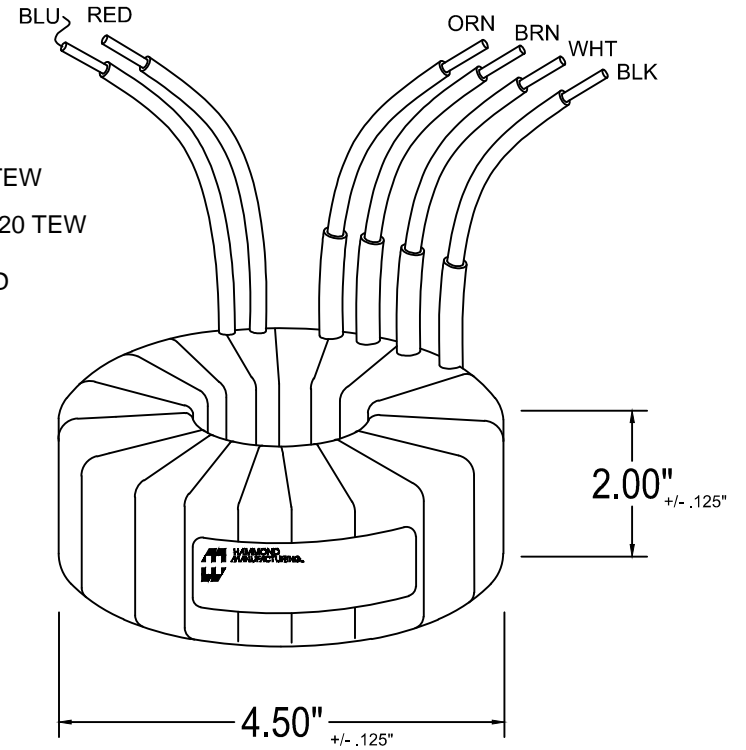
SECONDARY
240V @ 0.94 Amps



PRIMARY LEADS ARE #20 TEW
SECONDARY LEADS ARE #20 TEW

ALL LEADS OUT 8"-9" AND STRIPPED 0.5" MIN.

WEIGHT: 4.85lbs +/- 4%



HAMMOND MANUFACTURING
1182J240
 50/60Hz VA:225
 PRI: 2x 117V BLK-WHT, BRN-ORN
 SEC: 1x 240V @ 0.94A RED-BLU
 1A0225A000A000240
 MADE IN CANADA DATE PB
 RoHS Compliant
 CE, UL, and other compliance logos.

SUPPLIED WITH: TWO 0.062" T X 3.75" OD RUBBER WASHERS.
 ONE 16GA X 3.56" OD STEEL MOUNTING WASHER.
 ONE 1/4-20 BOLT 2.50" LONG WITH A LOCK WASHER AND 1/4-20 HEX NUT.

ELECTRICAL DATA:		
TESTS	CONDITIONS	ACCEPTANCE CRITERIA
Sec. N.L.V	@ 117V, 60Hz BLK & BRN to WHT & ORN	
OR	@ 234V, 50Hz BLK to ORN (Connect BRN & WHT)	
	RED - BLU	253.88 V ±2%
POLARITY	BLK, BRN and RED.	ADDITIVE
DCR	BLK - WHT	2.850 Ohms ±20%
IN OHMS	BRN - ORN	2.850 Ohms ±20%
	RED - BLU	6.320 Ohms ±20%
HIPOT	PRIMARY - SECONDARY	4000V, 60Hz, 1 SEC
	PRIMARY - PRIMARY	600V, 60Hz, 1 SEC

PROPERTY AND COPYRIGHT NOTICE
 THIS DRAWING AND THE INFORMATION IT CONVEYS ARE THE PROPERTY OF HAMMOND MANUFACTURING. IT MAY NOT BE REPRODUCED, TRANSMITTED OR USED IN ANY MANNER WHATSOEVER WITHOUT THE WRITTEN PERMISSION OF HAMMOND MANUFACTURING.

REV	NOTES	BY	DATE	HAMMOND MANUFACTURING ELECTRONIC DIVISION 52 RANKIN PLACE, WATERLOO, ONTARIO, N2J 3Z5 PHONE: 519.886.6181 FAX: 519.886.9540
TOROID POWER TRANSFORMER				
DRAWN	DATE	NUMBER	1182J240	
G. GRAY	21/03/2014			
APPROVED	DATE			