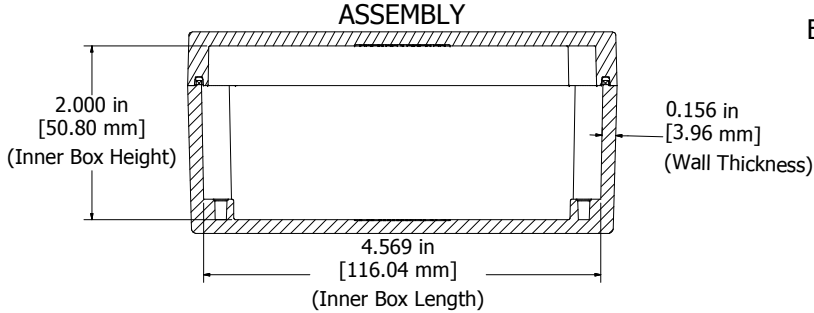
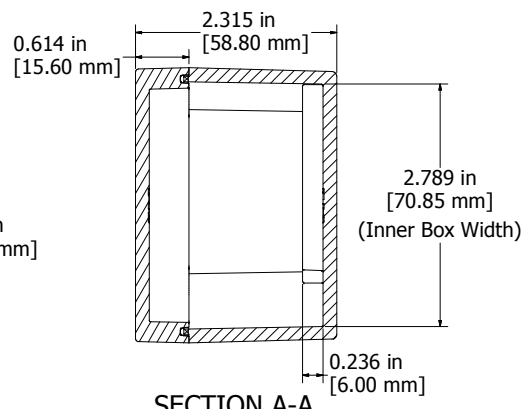
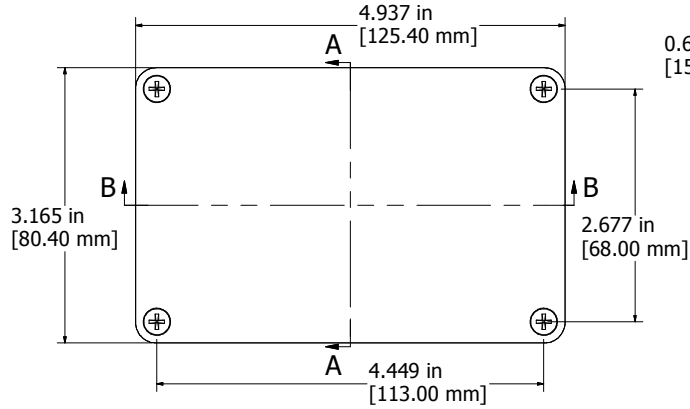
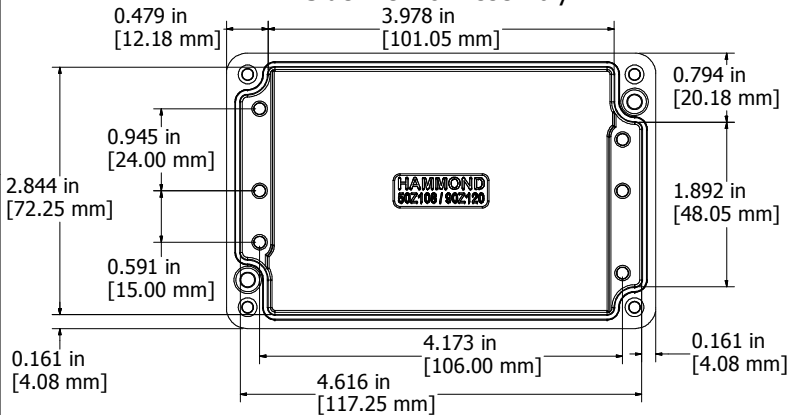


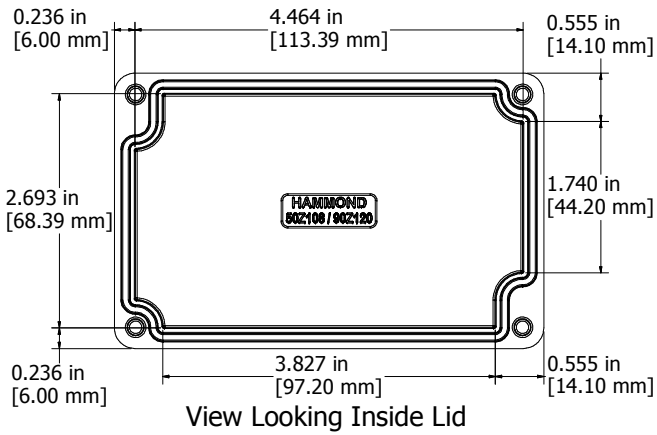
8 7 6 5 4 3 2 1



SECTION B-B
Side View of Assembly



Top View Looking Inside Box



View Looking Inside Lid

Enclosures can be Factory Modified (Milling, Drilling, Printing etc.)
Contact Factory mjm@hammondmfg.com for quotes
Solid models of this enclosure available in STEP or IGES.

NOTES

- Purchased assembly includes enclosure, M4x25 lid screws
- Gasket - Pre-formed Silicone Rubber
- Cover screws should be torqued to 5-7.5 lbf.in (50-75 cN.m)

1550Z108	
PART NUMBERS	
Unfinished	1550Z108
Black Textured Powder Paint - RAL 9011	1550Z108BK



8 7 6 5 4 3 2 1