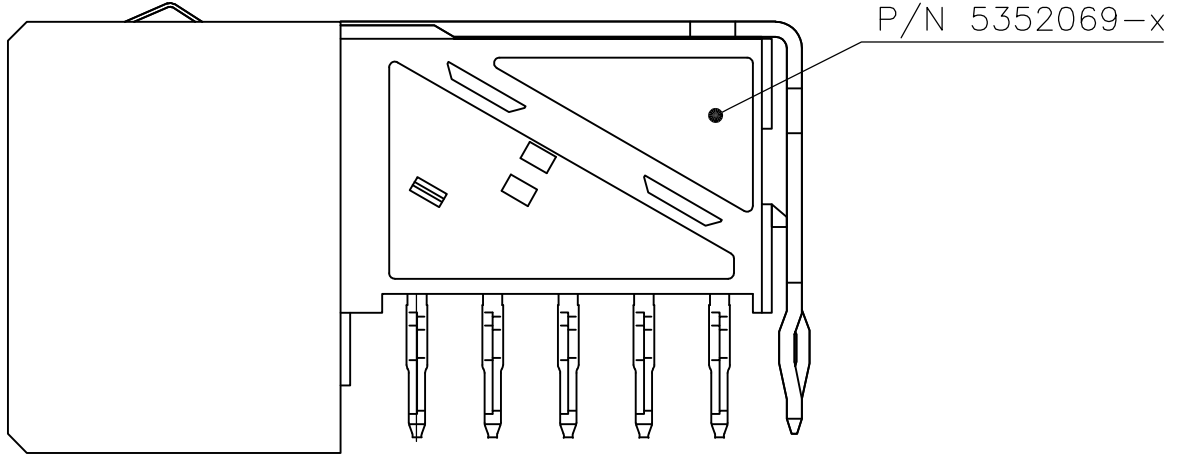


LOC	DIST	REVISIONS					
H	—	P	LTR	DESCRIPTION	DATE	DWN	APVD
		B		ECR-10-018652	10SEP10	SW	MQW

1 OBSOLETE PARTS: OBSOLETE CIS STREAMLINING PER D.RENAUD/D.SINISI

CONTENTS OF KIT:



BOTH P/N'S WILL BE PACKED
IN ONE BOX

1	6392375-4	KIT WITH TYPE "B" PRE-SHIELDED RECEPTACLE(5352069-4) AND LOWERSHIELD(5338110-2)
1	1-6392375-9	KIT WITH TYPE "B" PRE-SHIELDED RECEPTACLE(1-5352069-9) AND LOWERSHIELD(5338110-9)
1	6392375-9	KIT WITH TYPE "B" PRE-SHIELDED RECEPTACLE(5352069-9) AND LOWERSHIELD(5338110-9)
	6392375-1	KIT WITH TYPE "B" PRE-SHIELDED RECEPTACLE(5352069-1) AND LOWERSHIELD(5338110-2)
	PART NUMBER	DESCRIPTION

RELEASED FOR PUBLICATION

ALL RIGHTS RESERVED.

COPYRIGHT BY TYCO ELECTRONICS CORPORATION.

THIS DRAWING IS UNPUBLISHED.

DIMENSIONS: mm	DWN	27AUG04	MATERIAL	—	FINISH	—								
	CHK	K.N.KIRAN	25MAR05	Tyco Electronics Corporation 's-Hertogenbosch,5222AR-32										
TOLERANCES UNLESS OTHERWISE SPECIFIED:	APVD	B.MOOIJ	25MAR05											
	0 PLC	±	PRODUCT SPEC	108-19082	NAME	Z-PACK 2mm HM KIT WITH TYPE B PRE-SHIELDED RECEPTACLE AND LOWERSHIELD								
1 PLC	±	APPLICATION SPEC	114-19029	SIZE	A4	CAGE CODE	00779	DRAWING NO	C-6392375	RESTRICTED TO	—			
2 PLC	±	WEIGHT	—	CUSTOMER DRAWING			SCALE	5:1	SHEET	1	OF	1	REV	B
3 PLC	±													
4 PLC	±													
ANGLES	±													