

1

2

3

4

5

6

7

A

B

C

D

E

F

G

H

A

B

C

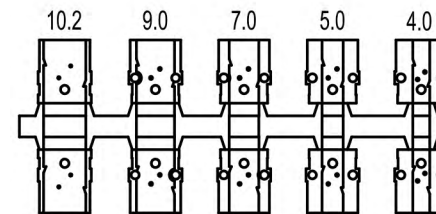
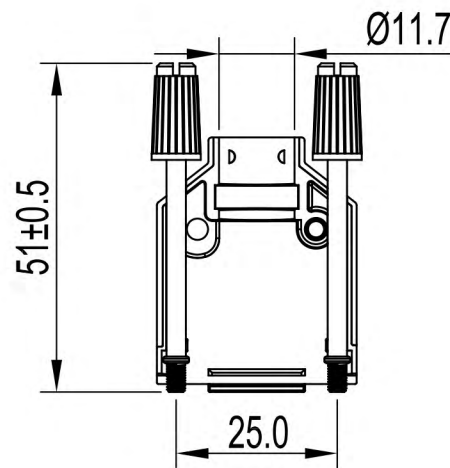
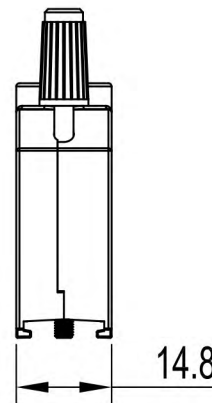
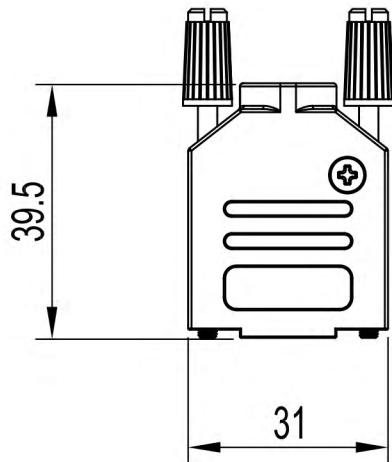
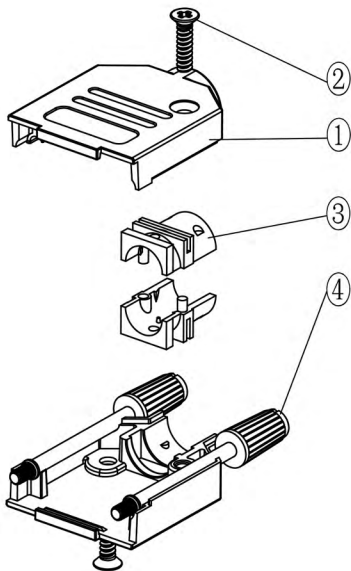
D

E

F

G

H



Grommet Set

TECHNICAL SPECIFICATIONS

Material: Zinc
 Plating: Nickel
 Operating Temperature: -25°C to +90°C
 Thumbscrews: UNC 4-40

No. of contacts: 09-15-25-37-50

Item	QTY	Part description
1	1	Hood halves
2	1	CSK M3x12 Screw
3	1	Grommet Set
4	2	Thumbscrews UNC4-40x51

RoHS compliant

Unit: mm

Scale	Free				Date	Name	Customer-No.
TOLERANCE					Drawn	17.08.2017	S.Bölling
0~6	±0.10				Approved	17.08.2017	S.Bölling
6~30	±0.20						
30~120	±0.30						
120~400	±0.50						
DIM	Tol						
Angle	±1°	Ⓢ	Drawn	17.08.2017	S.Bölling		
Angle	Tol	Id.	Modification	Date	Name		



ASSMANN WSW-No.
ACOV-SUB-09MB41

Drawing-No.
ASS_5282_CO rev00
 Replace Sheet 1/5

1

2

3

4

5

6

7

1

2

3

4

5

6

7

A

B

C

D

E

F

G

H

A

B

C

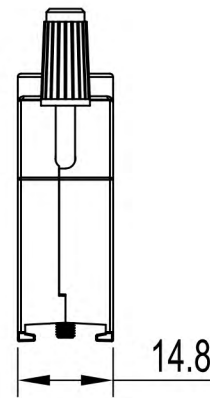
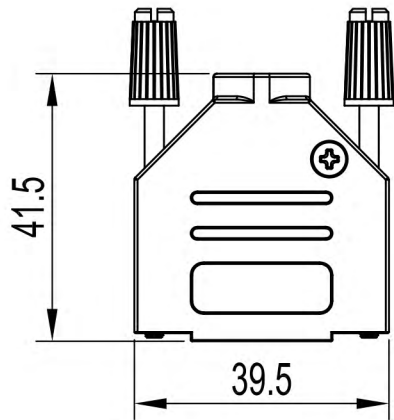
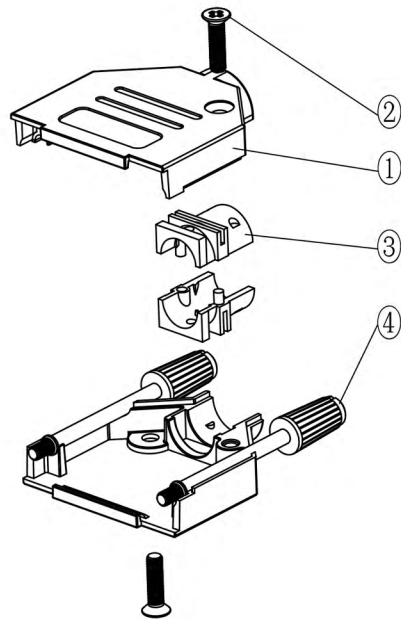
D

E

F

G

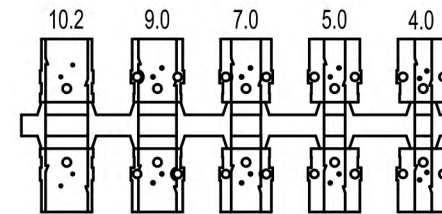
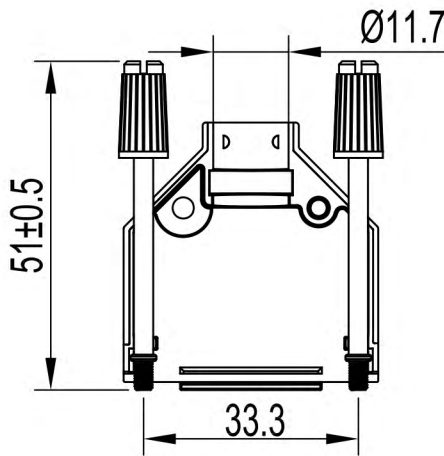
H



TECHNICAL SPECIFICATIONS

Material: Zinc
 Plating: Nickel
 Operating Temperature: -25°C to +90°C
 Thumbscrews: UNC 4-40

No. of contacts: 09-15-25-37-50



Grommet Set

Item	QTY	Part description
1	1	Hood halves
2	1	CSK M3x12 Screw
3	1	Grommet Set
4	2	Thumbscrews UNC4-40x51

RoHS compliant

Unit: mm

Scale	Free				Date	Name	Customer-No.
TOLERANCE					Drawn	17.08.2017	S.Bölling
0~6	±0.10				Approved	17.08.2017	S.Bölling
6~30	±0.20						
30~120	±0.30						
120~400	±0.50						
DIM	Tol						
Angle	±1°	©	Drawn	17.08.2017	S.Bölling		
Angle	Tol	Id.	Modification	Date	Name		



ASSMANN WSW-No.
ACOV-SUB-15MB41

Drawing-No.
ASS_5282_CO rev00
 Replace Sheet 2/5

1

2

3

4

5

6

7

1

2

3

4

5

6

7

A

B

C

D

E

F

A

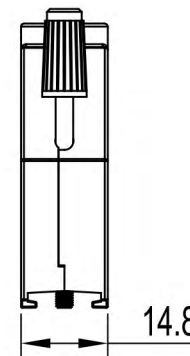
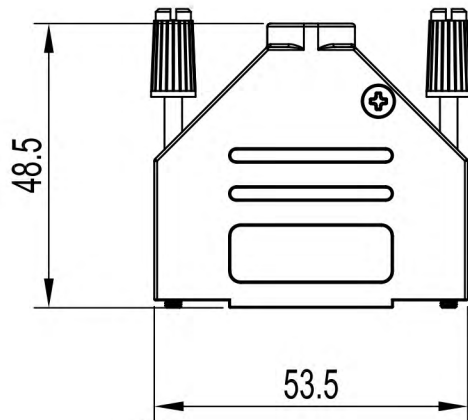
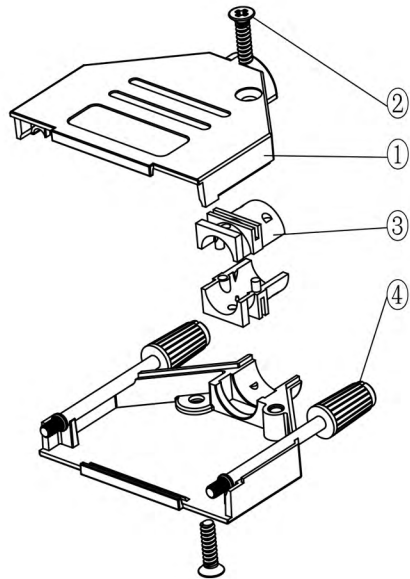
B

C

D

E

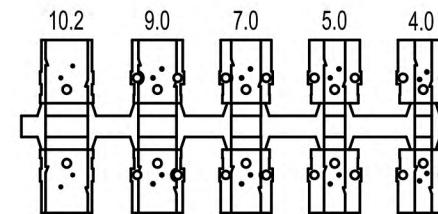
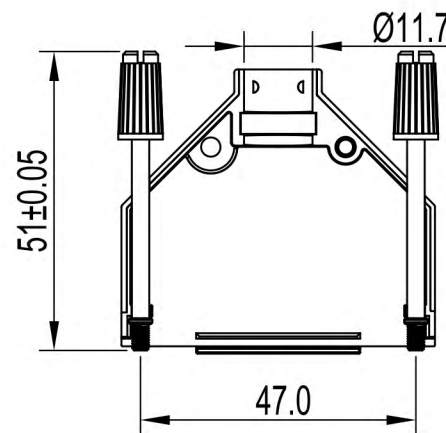
F



TECHNICAL SPECIFICATIONS

Material: Zinc
 Plating: Nickel
 Operating Temperature: -25°C to +90°C
 Thumbscrews: UNC 4-40

No. of contacts: 09-15-25-37-50



Grommet Set

Item	QTY	Part description
1	1	Hood halves
2	1	CSK M3x12 Screw
3	1	Grommet Set
4	2	Thumbscrews UNC4-40x51

RoHS compliant

Unit: mm

Scale	Free					Date	Name	Customer-No.
TOLERANCE						Drawn	17.08.2017	S.Bölling
0~6	±0.10					Approved	17.08.2017	S.Bölling
6~30	±0.20							
30~120	±0.30							
120~400	±0.50							
DIM	Tol							
Angle	±1°	Ⓢ	Drawn	17.08.2017	S.Bölling			
Angle	Tol	Id.	Modification	Date	Name			



ASSMANN WSW-No.
ACOV-SUB-25MB41

Drawing-No.
ASS_5282_CO rev00
 Sheet 3/5

1

2

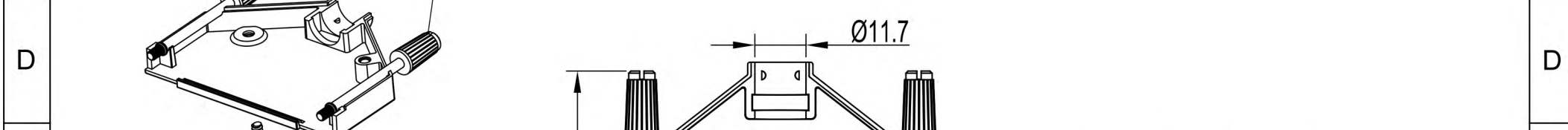
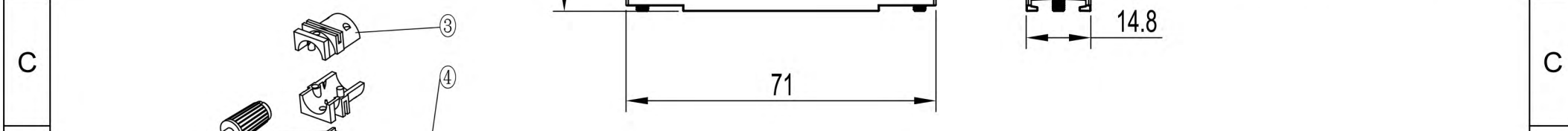
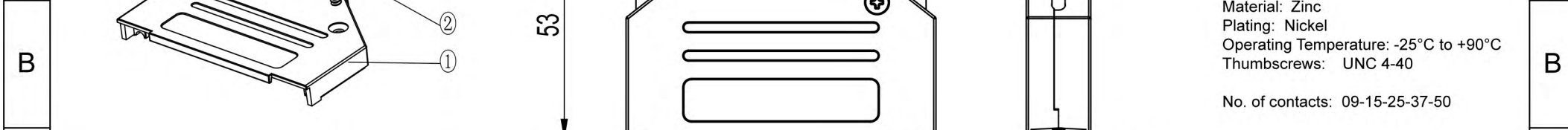
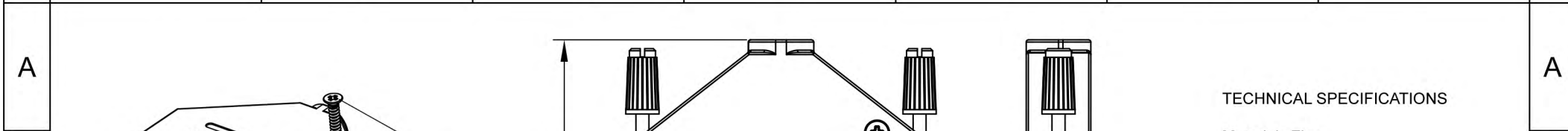
3

4

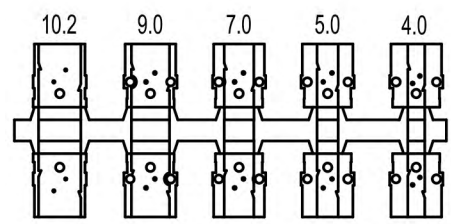
5

6

7



TECHNICAL SPECIFICATIONS
 Material: Zinc
 Plating: Nickel
 Operating Temperature: -25°C to +90°C
 Thumbscrews: UNC 4-40
 No. of contacts: 09-15-25-37-50

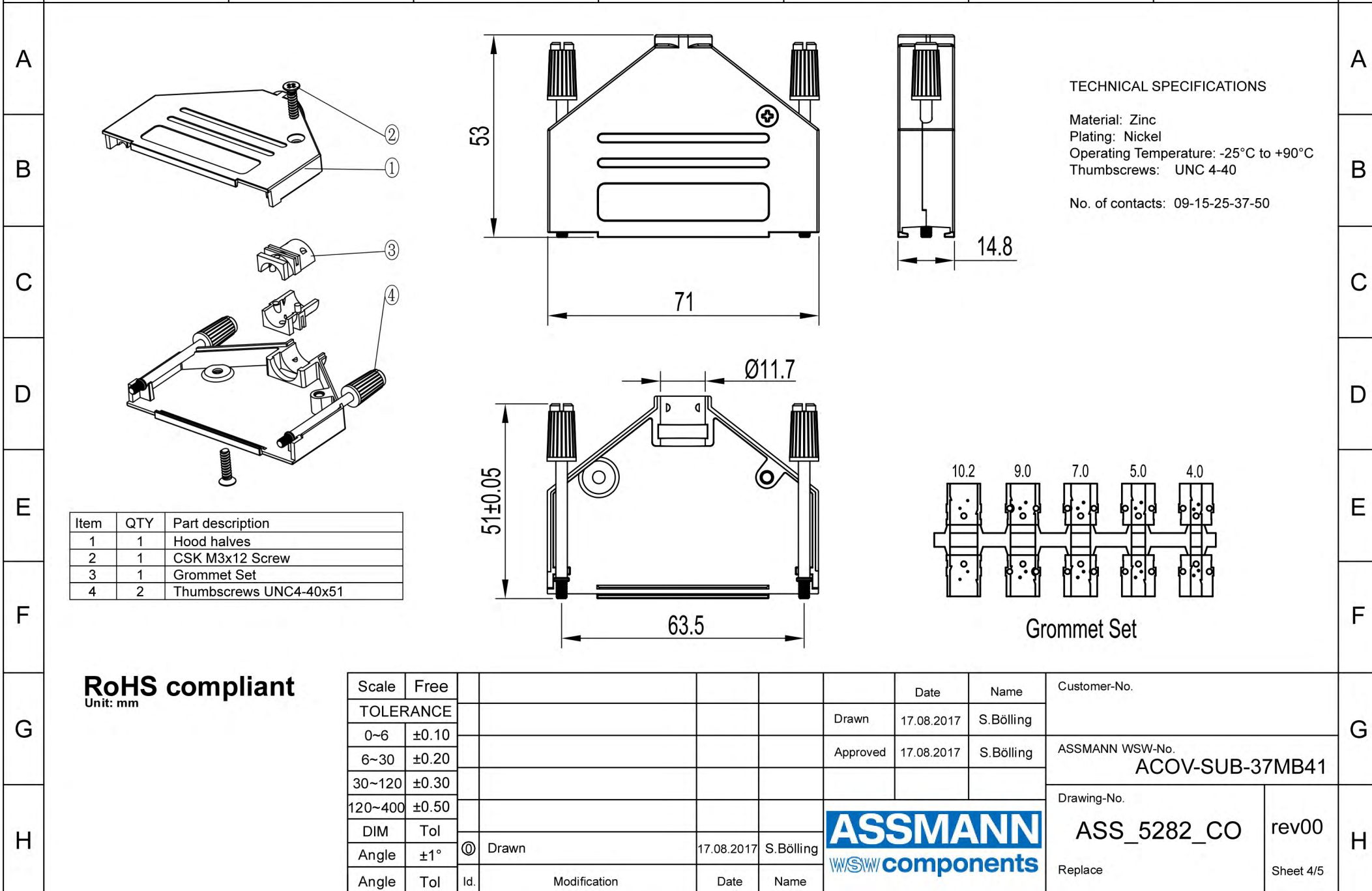


Grommet Set

Item	QTY	Part description
1	1	Hood halves
2	1	CSK M3x12 Screw
3	1	Grommet Set
4	2	Thumbscrews UNC4-40x51

RoHS compliant
 Unit: mm

Scale	Free						Date	Name	Customer-No.	
TOLERANCE							Drawn	17.08.2017	S.Bölling	ASSMANN WSW-No. ACOV-SUB-37MB41
0~6	±0.10					Approved	17.08.2017	S.Bölling		
6~30	±0.20									
30~120	±0.30									
120~400	±0.50								Drawing-No.	
DIM	Tol								ASS_5282_CO	rev00
Angle	±1°	Ⓞ	Drawn		17.08.2017	S.Bölling			Replace	Sheet 4/5
Angle	Tol	Id.	Modification		Date	Name				



1

2

3

4

5

6

7

A

B

C

D

E

F

A

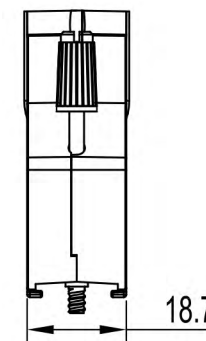
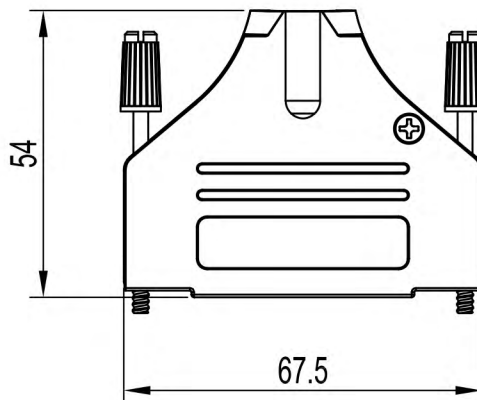
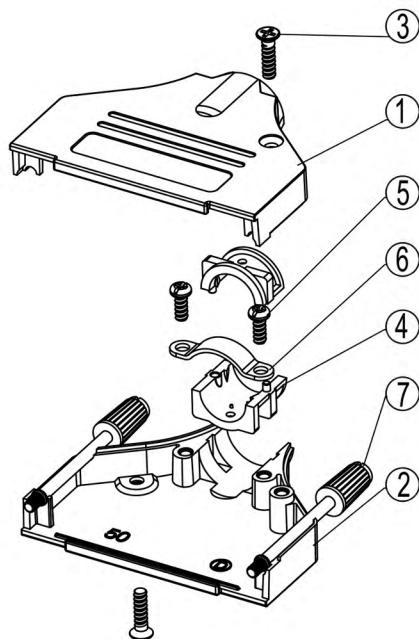
B

C

D

E

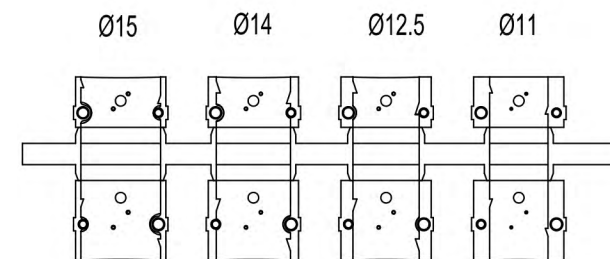
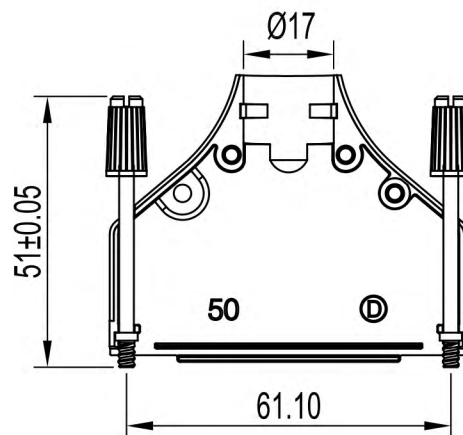
F



TECHNICAL SPECIFICATIONS

Material: Zinc
 Plating: Nickel
 Operating Temperature: -25°C to +90°C
 Thumbscrews: UNC 4-40

No. of contacts: 09-15-25-37-50



Grommet Set

Item	QTY	Part description
1	1	Upper half
2	1	Lower half
3	2	CSK M3x12 Screw
4	1	Grommet Set
5	2	MCS M3x8 Screw
6	1	Cable clamp
7	2	Thumbscrews UNC4-40x51

RoHS compliant
 Unit: mm

Scale	Free						Date	Name	Customer-No.	
TOLERANCE							Drawn	17.08.2017	S.Bölling	ASSMANN WSW-No. ACOV-SUB-50MB41
0~6	±0.10						Approved	17.08.2017	S.Bölling	
6~30	±0.20									
30~120	±0.30									
120~400	±0.50									Drawing-No.
DIM	Tol									ASS_5282_CO
Angle	±1°	Ⓢ	Drawn				17.08.2017	S.Bölling		rev00
Angle	Tol	Id.	Modification				Date	Name		Sheet 5/5

ASSMANN
 WSW components

Drawing-No.

ASS_5282_CO

Replace

rev00

Sheet 5/5

1

2

3

4

5

6

7

SV4382