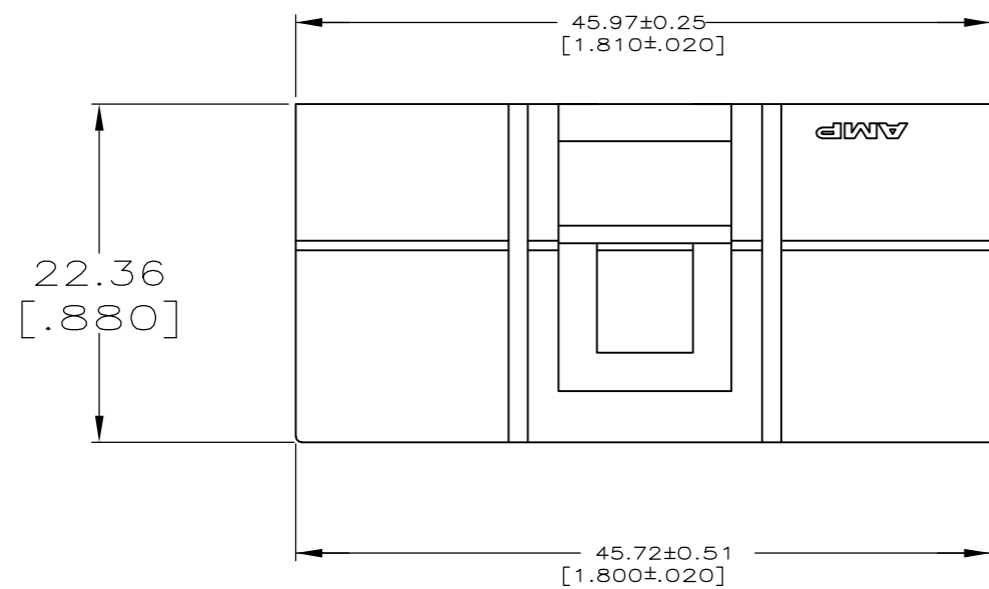
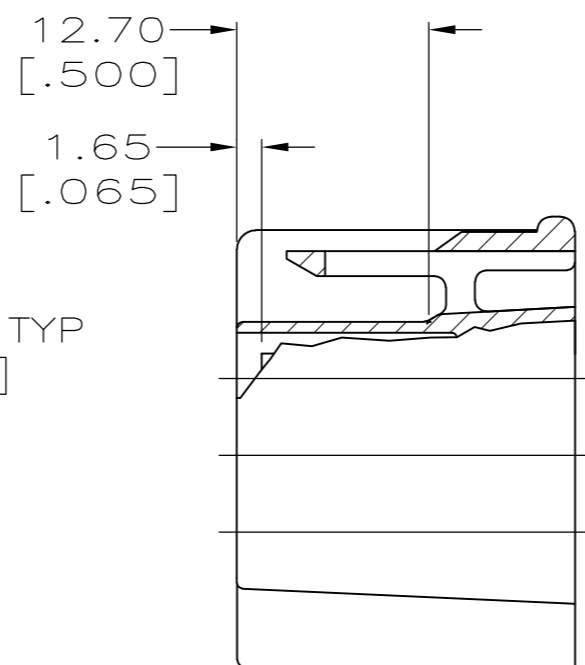
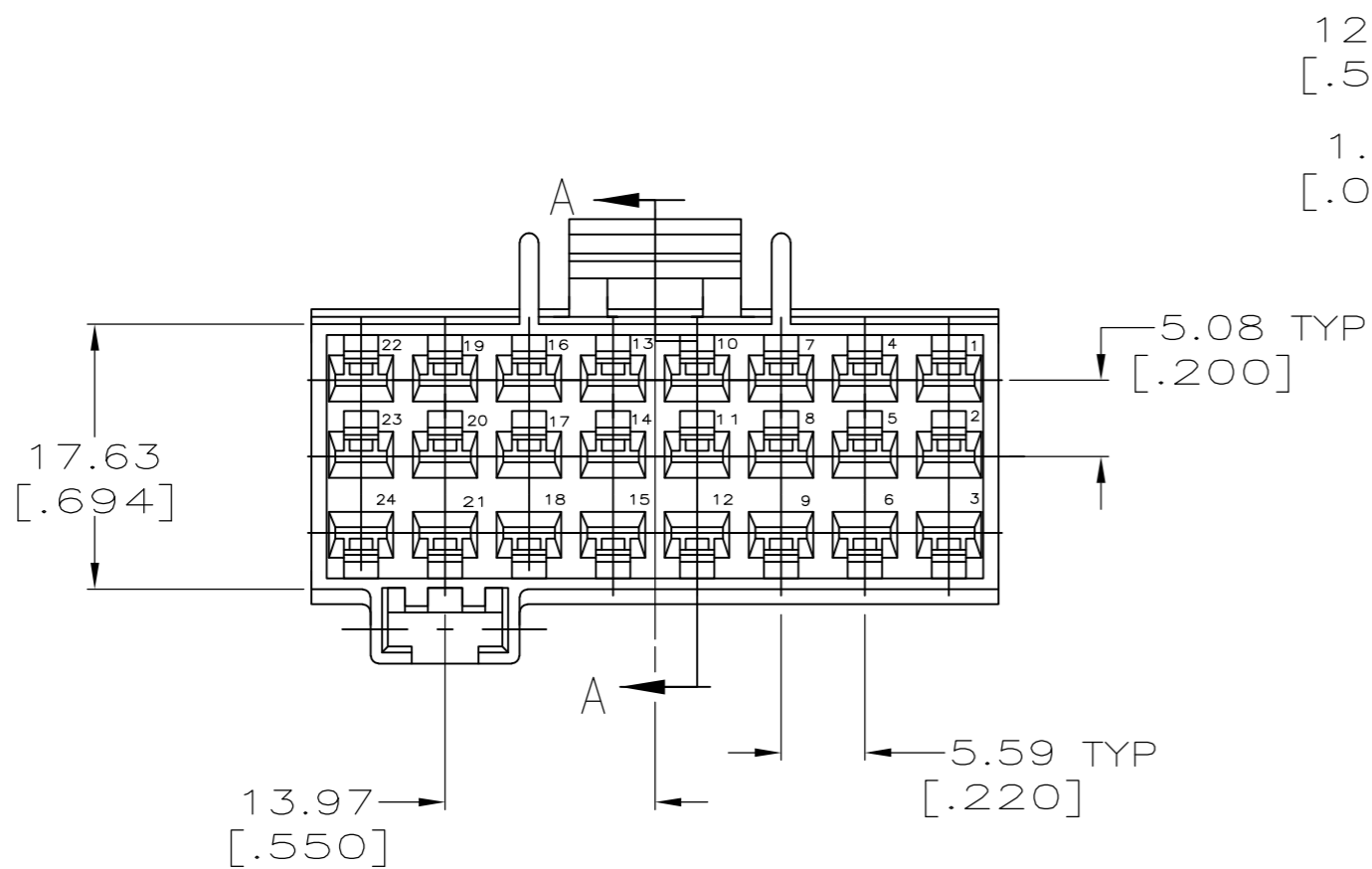


THIS DRAWING IS UNPUBLISHED. RELEASED FOR PUBLICATION
 © COPYRIGHT BY TYCO ELECTRONICS CORPORATION. ALL RIGHTS RESERVED.

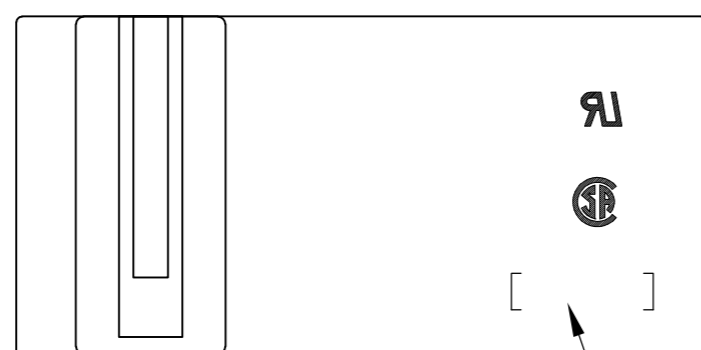
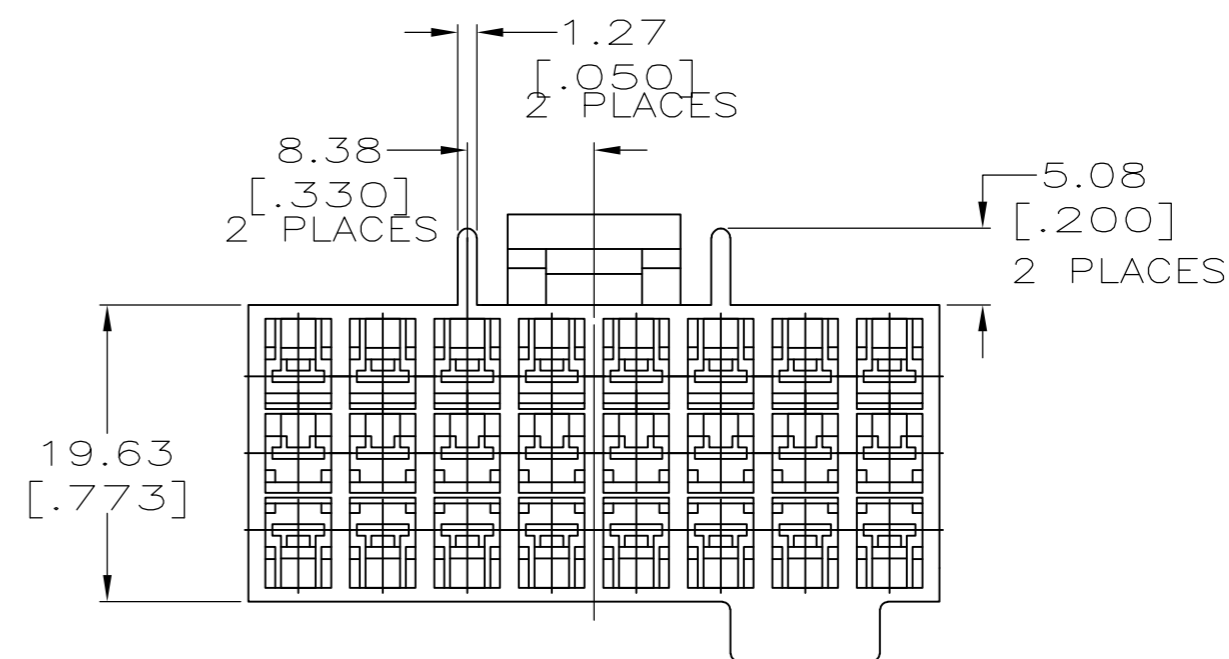
LOC	DIST	REVISIONS			
P	LTR	DESCRIPTION	DATE	DWN	APVD
AF	50	E	REV PER ECR 09-011015	13AUG09	JR MS



1 HOUSING ACCOMODATES (24) .125 BLADE RECEPTACLES
 AMP P/N 770642-1



SECTION A-A



DFE SYMBOL
 SEE TABLE

>PA<	BLACK	NYLON 66/6 UL94 V0	521135-2
>PA<	BLACK	NYLON 6/6 UL94 V2	521135-1
DFE SYMBOL	FINISH/COLOR	MATERIAL	PART NUMBER

THIS DRAWING IS A CONTROLLED DOCUMENT.		DWN 18/APR/97 PHILLIP M FORTNEY	Tyco Electronics Corporation Harrisburg, PA 17105-3608	
DIMENSIONS: MM [INCHES]		CHK 18/APR/97 JEFF R RUTH	NAME M BARNABA	
TOLERANCES UNLESS OTHERWISE SPECIFIED: 0 PLC ± - 1 PLC ± - 2 PLC ± 0.25 [.010] 3 PLC ± - 4 PLC ± - ANGLES ± -		APVD 18APR97	PRODUCT SPEC APPLICATION SPEC	
MATERIAL SEE TABLE		FINISH SEE TABLE	WEIGHT -	RESTRICTED TO -
CUSTOMER DRAWING			SCALE 2:1	SHEET 1 of 1