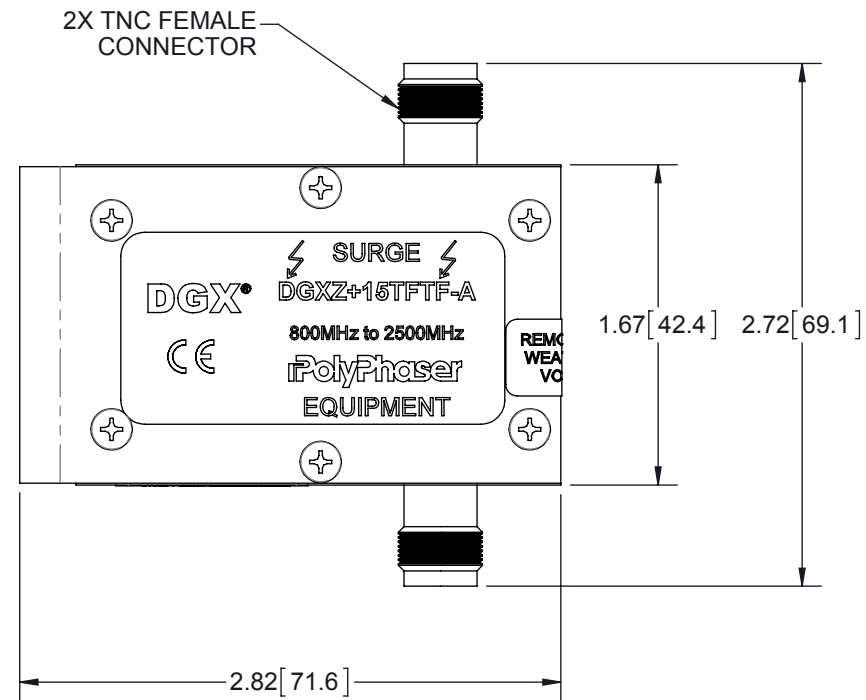
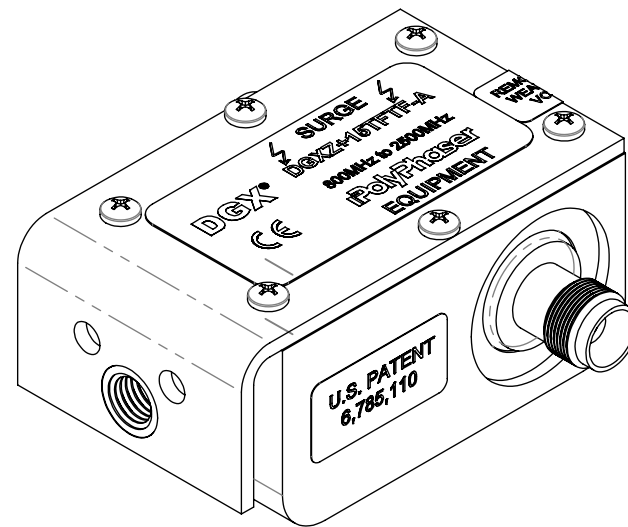
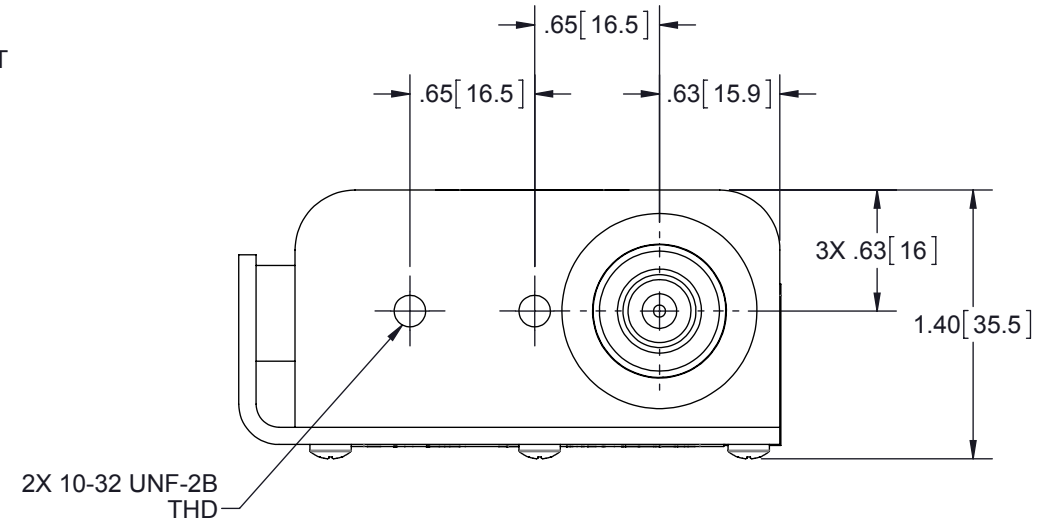
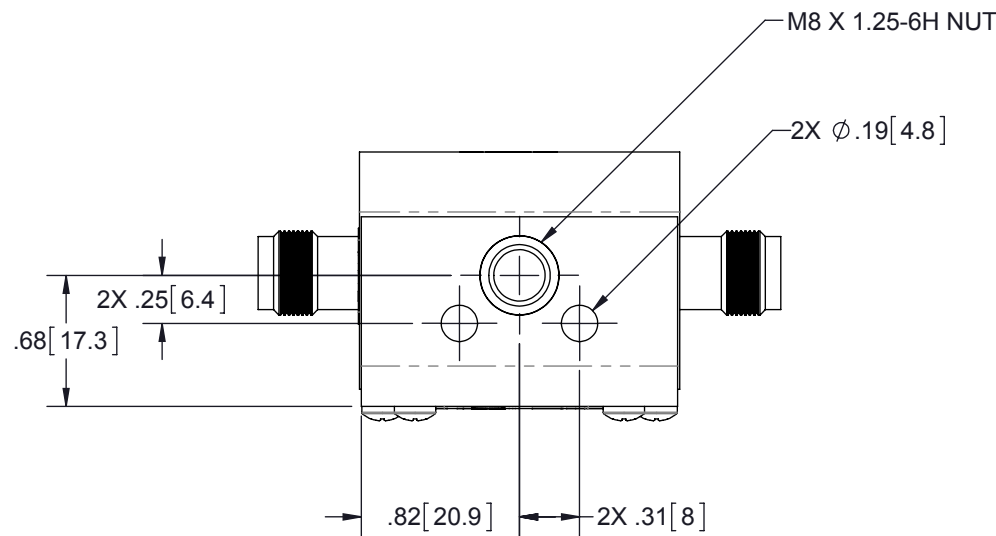
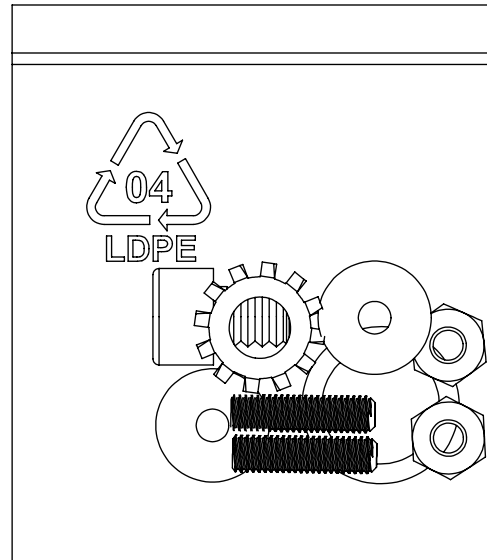


REVISIONS				
REV.	DESCRIPTION	ECN	DATE	APPROVED
H	REFER TO ECN	11905	7/30/13	KCB



MAXIMUM CHARACTERISTICS

Application:
 Used where DC voltage is required
 Ideal for GPS
 Weatherized Flange or Bulkhead Mount

Electrical Performance:
 Frequency Range: 800MHz to 2500MHz
 VSWR: ≤1.1:1 Over Frequency Range
 Insertion Loss: ≤0.1dB Over Frequency Range
 Power: 300Wrms Average
 Turn On: ±16.5Vdc
 Turn On Time: 4ns For 2kV/ns
 Max Surge: 20kA IEC 61000-4-5 8/20µs Waveform
 Throughput Energy: ≤500µJ for 3kA @ 8/20µs Waveform
 User Voltage: +15Vdc Max
 Usage Current: ≤4.0A Continuous

Mechanical:
 Dimensions: 2.72" x 2.82" x 1.40"
 Weight: .35lbs

Environmental:
 Meets IEC 60529 IP67
 Meets Bellcore #TA-NWT-000487
 Procedure 4.11, Wind Driven (120mph) Rain Intrusion Test.
 Operating temperature: -50°C to +85°C
 Relative Humidity: To 95%

CE Compliant
 RoHS Compliant

CUSTOMER APPROVAL: _____ DATE: _____

ALL DIMENSIONS SHOWN ARE FOR REFERENCE ONLY.

THESE COMMODITIES, TECHNOLOGY OR SOFTWARE WERE EXPORTED FROM THE UNITED STATES IN ACCORDANCE WITH THE EXPORT ADMINISTRATION REGULATIONS. DIVERSION CONTRARY TO U.S. LAW PROHIBITED.

UNLESS OTHERWISE SPECIFIED LEADING DIMENSIONS ARE INCHES DIMENSIONS IN [] ARE MILLIMETERS	DRAWN	SH	DATE			
	ENG APPD	KCB	11/10/03			
	PRODUCT MGR	LJ	11/10/03			
	MARKETING APPD	PH	11/10/03			
TOLERANCES: FRACTIONS=± 1/32 .XX=± .01 ANGLES=± 1° .XXX=± .005	MATERIAL	PROJECT NO.	TITLE 800-2500MHZ BROADBAND CUSTOMER SPECIFICATION			
THIRD-ANGLE PROJECTION	NOTICE: THE INFORMATION AND DESIGN IN THIS DOCUMENT IS THE PROPERTY OF TRANSECTOR SYSTEMS. ALL RIGHTS RESERVED.		SIZE	CAGE	PART NUMBER	REV
			B	61114	DGXZ+15TFTF-A	H
	SCALE	PROD CAT	DOCUMENT NAME		SHEET	OF
	1:1	RFP	DGXZ+15TFTF-A-C		1	1