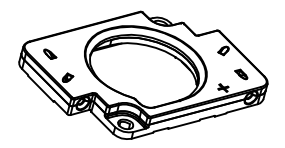
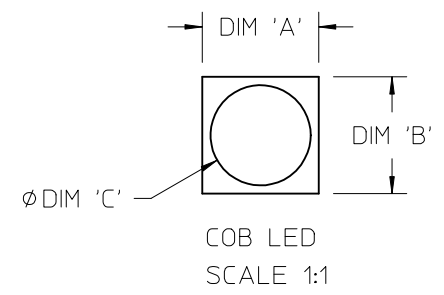
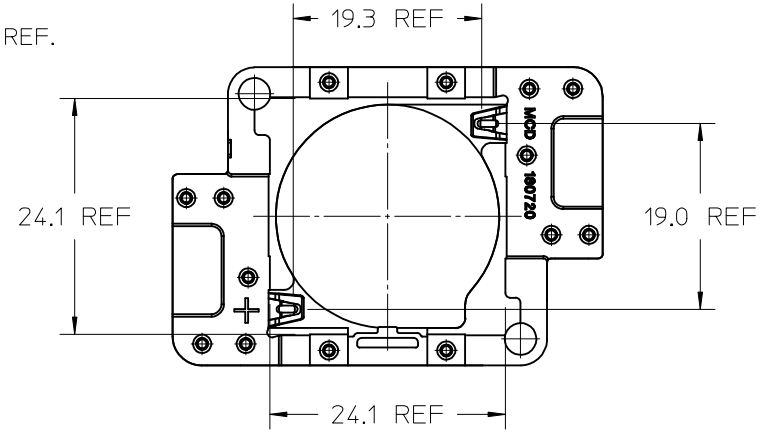
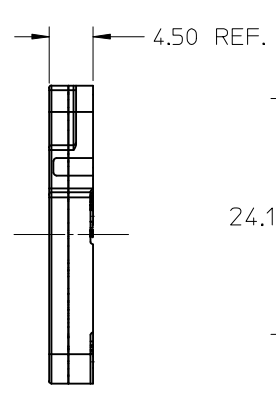
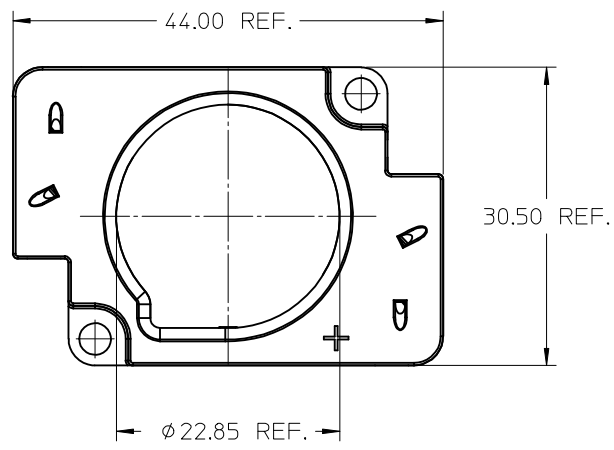


10	9	8	7	6	5	4	3	2	1
COB MFG	TYPE	DIM 'A'	DIM 'B'	THICKNESS	DIM 'C'				
CREE	CXA2520	23.85	23.85	1.15	21.0				
CREE	CXA2530	23.85	23.85	1.15	21.0				
CREE	CXA2540	23.85	23.85	1.15	21.0				
CREE	CXA2590	23.85	23.85	1.00	21.0				
CREE	CXB2530	23.85	23.85	1.15	21.0				
CREE	CXB2540	23.85	23.85	1.15	21.0				
OSRAM	SOLERIQ S19	24.00	24.00	0.90	19.8				



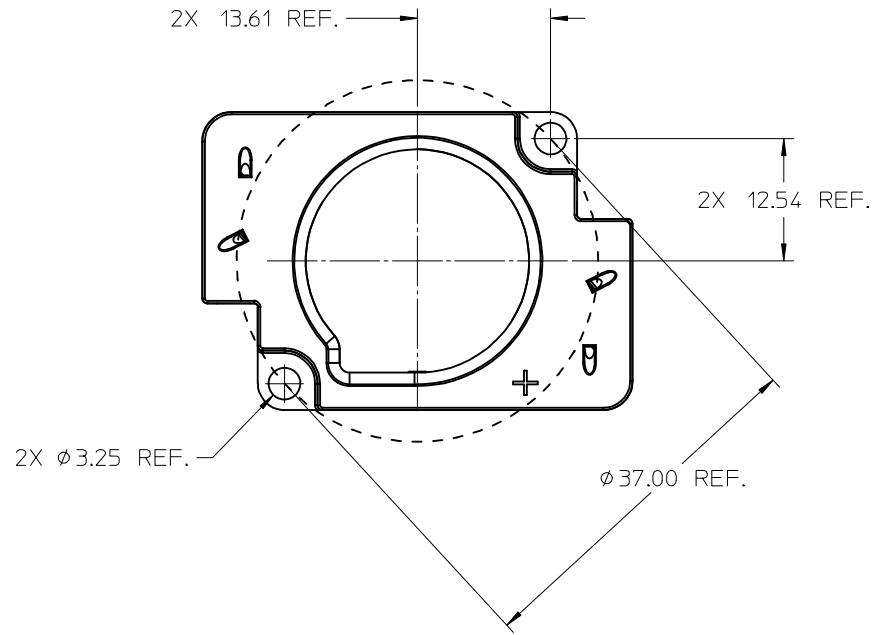
ISO VIEW  
SCALE 1:1



- NOTES:
- MATERIALS:
    - TOP HOUSING: WHITE COLOR PBT 30% GF UL94V-0
    - BOTTOM HOUSING: WHITE COLOR PBT 30% GF UL94V-0
  - WIRE TRAP TERMINALS: COPPER ALLOY
    - FINISH: SELECTIVE GOLD OVER NICKEL
  - THIS PRODUCT IS ELV AND ROHS COMPLIANT
  - APPLICABLE WIRE GAUGE - 18, 20, OR 22 AWG
    - SOLID WIRE IS RECOMMENDED
    - IF STRANDED WIRE IS USED, PRE-TINNED IS RECOMMENDED
    - 11.0mm ±1.0mm STRIP LENGTH IS RECOMMENDED
  - MOUNT HOLDER USING M3 SCREWS (2), 0.4 NEWTON METER MINIMUM TORQUE 0.8 NEWTON METER MAXIMUM TORQUE.
  - UL:OLFB2 UL496 FILE: E345583.

<b>ENTER DESCRIPTION</b> EC NO: SSL2017-0018 DRAWN: ZABJANOVSKI 2016/11/17 CHKD: APPR: GMEYER 2016/11/18 REV: A3	<b>QUALITY SYMBOLS</b> ▽=0 ▽=0 ▽=0	<b>GENERAL TOLERANCES (UNLESS SPECIFIED)</b> <table border="1"> <thead> <tr> <th></th> <th>mm</th> <th>INCH</th> </tr> </thead> <tbody> <tr> <td>4 PLACES</td> <td>± ---</td> <td>± ---</td> </tr> <tr> <td>3 PLACES</td> <td>± ---</td> <td>± ---</td> </tr> <tr> <td>2 PLACES</td> <td>± ---</td> <td>± ---</td> </tr> <tr> <td>1 PLACE</td> <td>± ---</td> <td>± ---</td> </tr> <tr> <td>0 PLACE</td> <td>± ---</td> <td>± ---</td> </tr> </tbody> </table>		mm	INCH	4 PLACES	± ---	± ---	3 PLACES	± ---	± ---	2 PLACES	± ---	± ---	1 PLACE	± ---	± ---	0 PLACE	± ---	± ---	<b>DIMENSION STYLE</b> <b>MM ONLY</b>	<b>SCALE</b> <b>2:1</b>	<b>DESIGN UNITS</b> <b>METRIC</b>	<b>THIRD ANGLE PROJECTION</b>
		mm	INCH																					
	4 PLACES	± ---	± ---																					
	3 PLACES	± ---	± ---																					
2 PLACES	± ---	± ---																						
1 PLACE	± ---	± ---																						
0 PLACE	± ---	± ---																						
		DRAWN BY: FJAKLIC DATE: 2013/05/14 CHECKED BY: _____ DATE: _____	<b>TITLE</b> <b>COB LED HOLDER WITH PRE HOLD</b>																					
		APPROVED BY: DMCGOWAN DATE: 2013/05/21	<b>DOCUMENT NO.</b> <b>SD-180720-002</b>																					
		<b>ANGULAR ±1/2°</b> <b>DRAFT WHERE APPLICABLE MUST REMAIN WITHIN DIMENSIONS</b>	<b>MATERIAL NO.</b> <b>1807200002</b>	<b>SHEET NO.</b> <b>1 OF 2</b>	<b>THIS DRAWING CONTAINS INFORMATION THAT IS PROPRIETARY TO MOLEX INCORPORATED AND SHOULD NOT BE USED WITHOUT WRITTEN PERMISSION</b>																			

10 9 8 7 6 5 4 3 2 1



HOLDER MOUNT DETAIL

<b>ENTER DESCRIPTION</b> EC NO: SSL2017-0018 DRWNL: ZABJANOVSKI 2016/11/17 CHKD: APPR: GMEYER 2016/11/18 REV	QUALITY SYMBOLS $\nabla F/0$ $\nabla F/0$ $\nabla F/0$	GENERAL TOLERANCES (UNLESS SPECIFIED) mm INCH 4 PLACES ± --- ± --- 3 PLACES ± --- ± --- 2 PLACES ± --- ± --- 1 PLACE ± --- ± --- 0 PLACE ± --- ± ---	DIMENSION STYLE <b>MM ONLY</b> DRAWN BY DATE FJAKLIC 2013/05/14 CHECKED BY DATE APPROVED BY DATE DMCGOWAN 2013/05/21	SCALE <b>2:1</b> DESIGN UNITS <b>METRIC</b> THIRD ANGLE PROJECTION	TITLE <b>COB LED HOLDER WITH PRE HOLD</b>
	MATERIAL NO. <b>1807200002</b>	DOCUMENT NO. <b>SD-180720-002</b>	SHEET NO. <b>2 OF 2</b>		
	ANGULAR ±1/2° DRAFT WHERE APPLICABLE MUST REMAIN WITHIN DIMENSIONS				
	THIS DRAWING CONTAINS INFORMATION THAT IS PROPRIETARY TO MOLEX INCORPORATED AND SHOULD NOT BE USED WITHOUT WRITTEN PERMISSION				

9 8 7 6 5 4 3 2 1