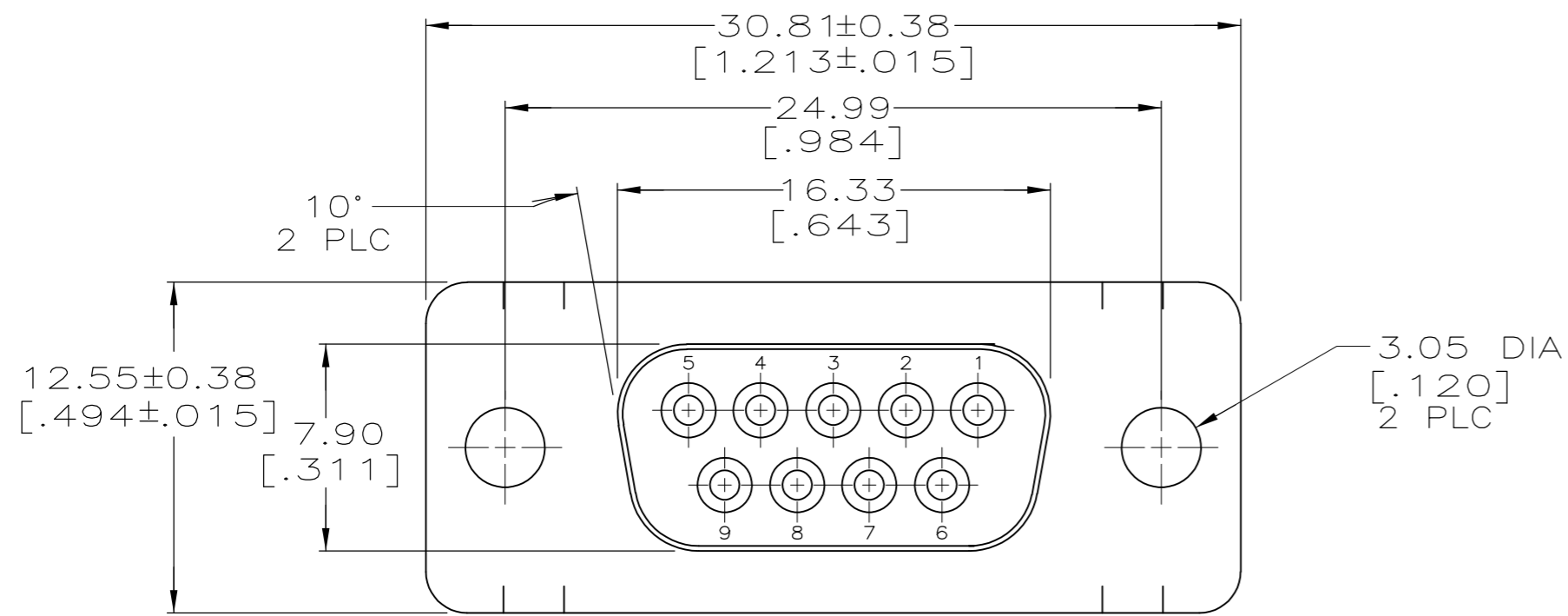
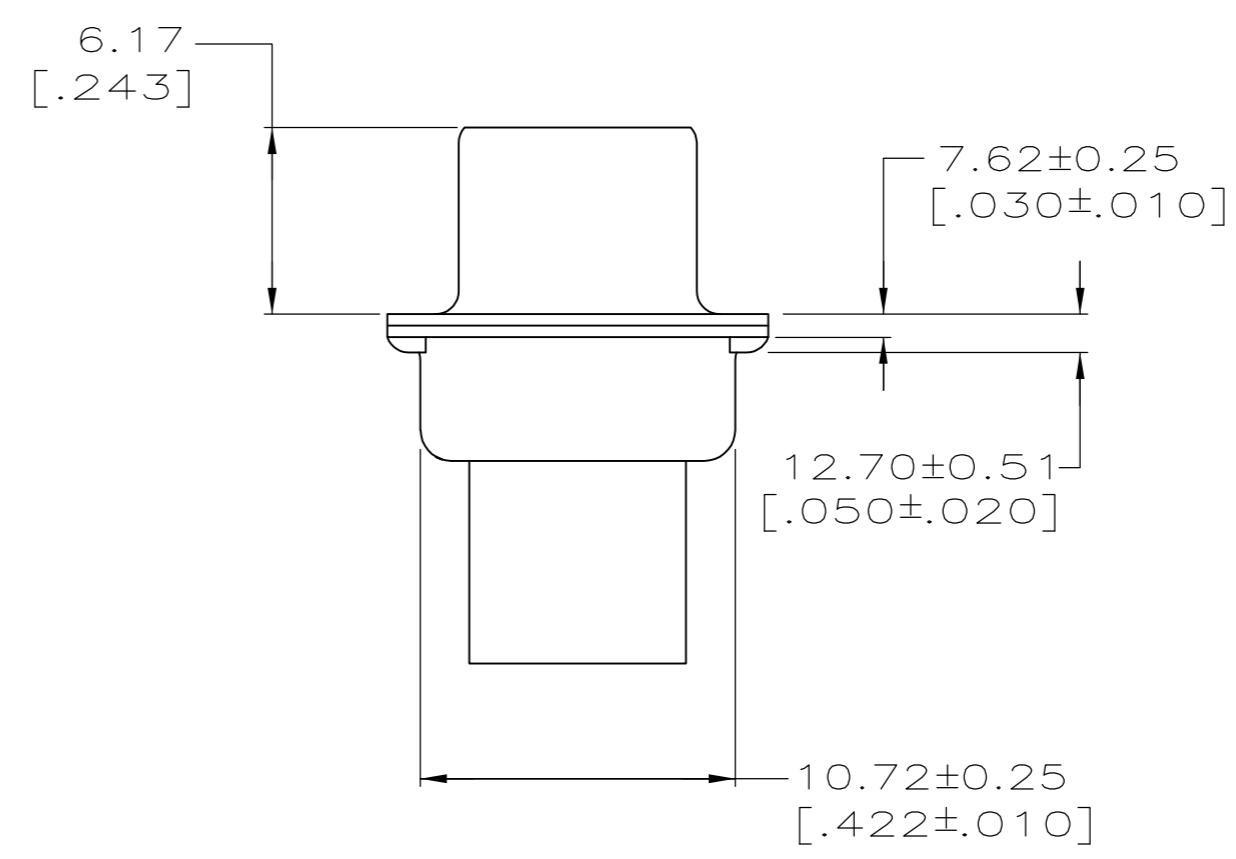
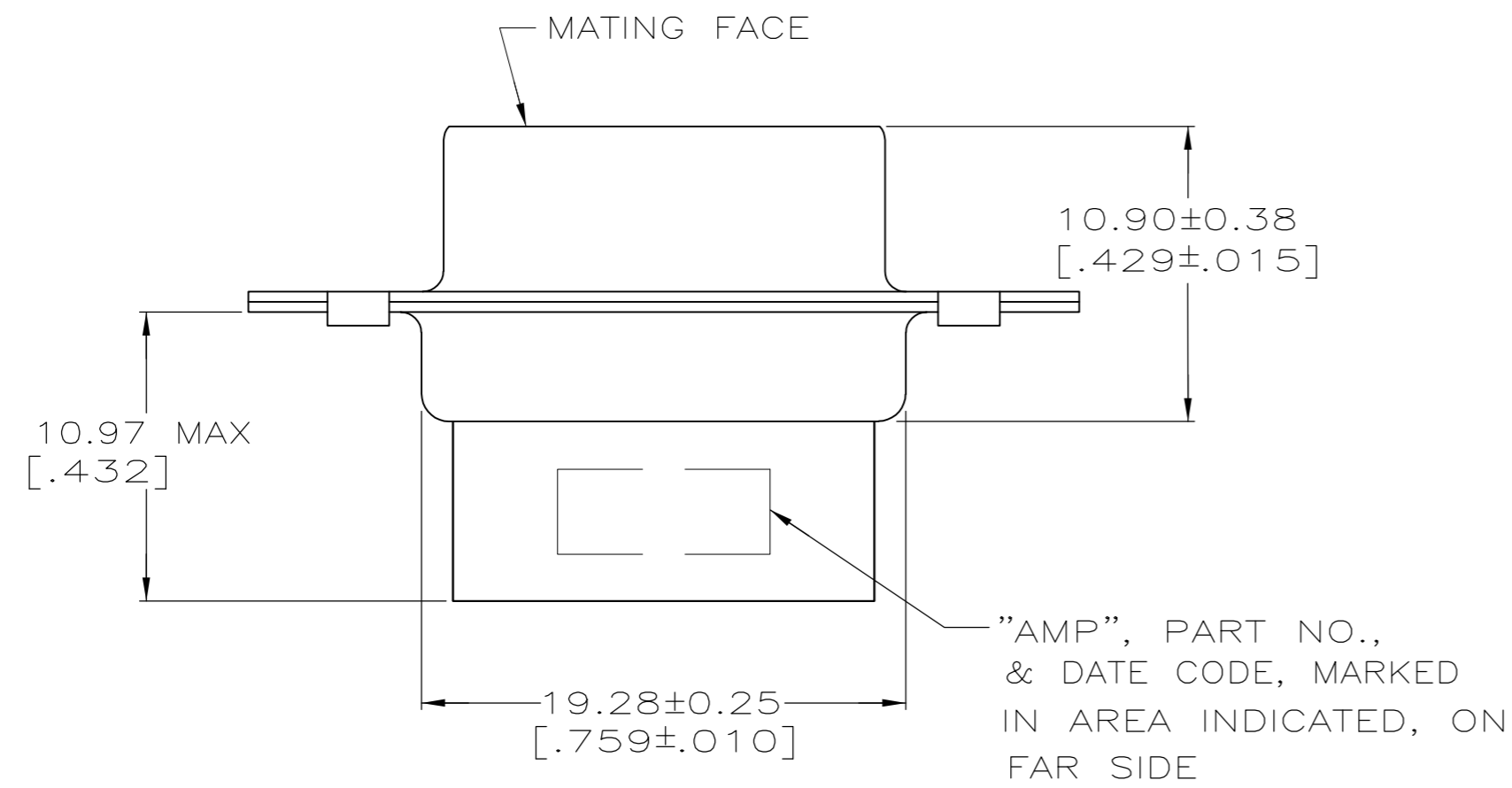


THIS DRAWING IS UNPUBLISHED. RELEASED FOR PUBLICATION  
 © COPYRIGHT - By - ALL RIGHTS RESERVED.

LOC	DIST	REVISIONS			
P	LTR	DESCRIPTION	DATE	DWN	APVD
GP	00				
	K2	REVISED PER ECO-11-004835	11MAR11	RK	HMR



- CONNECTOR ACCEPTS SIZE 20 DF SOCKET CONTACTS, RETENTION TINES ARE AN INTEGRAL PART OF INSERT.
  - CONNECTOR COMPLIES WITH 108-40005 WHERE APPLICABLE.
- ③ MOLDED PARTS: NYLON, FLAME RETARDANT, 94V-0 RATED, GLASS FILLED, BLACK.
  - ④ SHELLS: STEEL PER ASTM A109.
  - ⑤ ZINC PLATED PER ASTM B633; TYPE II; CLASS SC1; YELLOW CHROMATE.
  - ⑥ TIN PLATED PER MIL-T-10727 OVER COPPER PER MIL-C-14550.
  - ⑦ CHROME PLATED.
  - ⑧ ZINC PLATED .000200-.000400 THICK, YELLOW TRIVALENT CHROMIUM CHROMATE COATING.



PACKAGING TYPE	SHELL FINISH	PART NO
STANDARD	⑧	205203-8
OBSOLETE SMALL PACK	⑤	205203-6
STANDARD	⑥	205203-3
OBSOLETE STANDARD	⑤	205203-1

THIS DRAWING IS A CONTROLLED DOCUMENT.		DWN S. WELDON 7-19-85	<b>TE</b> TE Connectivity	
DIMENSIONS: INCHES		CHK J. GERACE 7-29-85		
TOLERANCES UNLESS OTHERWISE SPECIFIED:		APVD V. KUMAR 7-31-85	NAME	
0 PLC ± -		PRODUCT SPEC	RCPT CONNECTOR, SIZE 1, 9 POSN, AMPLIMITE, HDP	
1 PLC ± -		APPLICATION SPEC	-	
2 PLC ± 0.13 [.005]		WEIGHT	SIZE A2	CAGE CODE 00779
3 PLC ± -		FINISH SHELLS: SEE TABLE	DRAWING NO C-205203	RESTRICTED TO
4 PLC ± -			SCALE 4:1	SHEET 1 of 1
ANGLES ± -		CUSTOMER DRAWING	REV K2	