

**SPECIFICATION FOR APPROVAL**

**CUSTOMER** :

**DESCRIPTION** : DC BRUSHLESS FAN

**DIMENSIONS** : 50X50X10 mm

**MODEL** : KDE0505PFS3-8

**APPROVED NO** :

**APPROVED BY** :  
(AUTHORIZED)



DAWN.	張育真 3/16	CHKD.	<i>[Signature]</i>	APPD.	<i>[Signature]</i>	SPEC. NO.	052358300
						ISSUE DATE	01.16.1996
						EDITION	0
						REVISE DATE	

建準電機工業股份有限公司  
 SUNONWEALTH ELECTRIC MACHINE INDUSTRY CO., LTD.  
 12FL., 120 CHUNG CHENG 1ST RD., TEL:886-7-7163069(41 LINES)  
 KAOHSIUNG, TAIWAN, R. O. C. FAX:886-7-7163086~89

## DC BRUSHLESS FAN

MODEL: KDE0505PFS3-8

## CHARACTERISTICS

1. Motor Design : Patented single-coil DC brushless 8 poles motor design.
2. Insulation Resistance : More than 500M ohm between internal stator and lead wire(+) measured by DC 500V.
3. Dielectric Strength : Applied AC 500V for one minute or AC 600V for 2 seconds between housing and lead wire(+)
4. Noise Level : Measured in an semi-anechoic chamber with background noise level below 15 dBA. The fan is running in free air with microphone at a distance of one meter from the fan intake.
5. Input power , Current & Speed : Measured after continuous 30 minutes operation at rated voltage in clean air at ambient temperature of 25 degrees C.
6. Tolerances : +-15% on rated power and current
7. Motor Protection : Polarity protected & Locked rotor protected.
8. Air Performance : Measured by a double chamber. The value are recorded when the fan speed is stabilized at rated voltage.



建準電機工業股份有限公司 SUNONWEALTH ELECTRIC MACHINE INDUSTRY CO., LTD	SPEC. NO.	052358300	REVISE DATE	
	ISSUE DATE	01. 16. 1996	EDITION	0
	PAGE	2 OF 5		

**SPECIFICATIONS**

**MODEL: KDE0505PFS3-8**

- 1-1. Rated Voltage : 5 VDC
- 1-2. Operating Voltage Range : 4-6 VDC
- 1-3. Starting Voltage : 4 VDC
- 1-4. Rated Speed : 3500 RPM±700 RPM
- 1-5. Air Delivery : 7 CFM
- 1-6. Static Pressure : 0.065 Inch-H<sub>2</sub>O
- 1-7. Rated Current : 0.09 AMP
- 1-8. Rated Power : 0.4 WATTS
- 1-9. Noise Level : 21 dB(A)
- 1-10. Direction of Rotation : Clockwies viewed from front face
- 1-11. Operating Temperature : -10 to +70 Deg.C
- 1-12. Storage Temperature : -40 to +80 Deg.C
- 1-13. Bearing System : Lubricated sleeve bearing system
- 1-14. Weight : 24g
- 1-15. Safety : UL/CUR Approvals

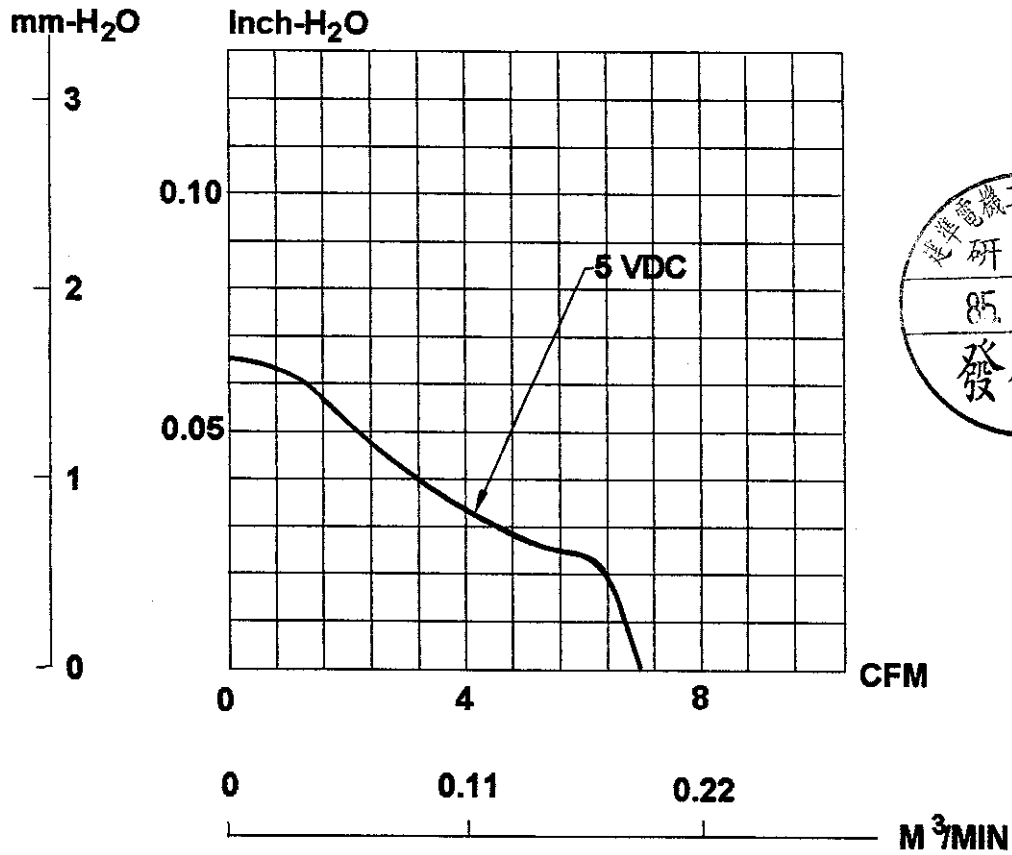


建準電機工業股份有限公司 SUNONWEALTH ELECTRIC MACHINE INDUSTRY CO., LTD.	SPEC. NO.	052358300	REVISE DATE	
	ISSUE DATE	01. 16. 1996	EDITION	0
	PAGE	3 OF 5		

MODEL: KDE0505PFS3-8

PERFORMANCE CURVES

STATIC PRESSURE



建準電機工業股份有限公司 SUNONWEALTH ELECTRIC MACHINE INDUSTRY CO., LTD.	SPEC. NO.	052358300	REVISE DATE	
	ISSUE DATE	01. 16. 1996	EDITION	0
	PAGE	4 OF 5		

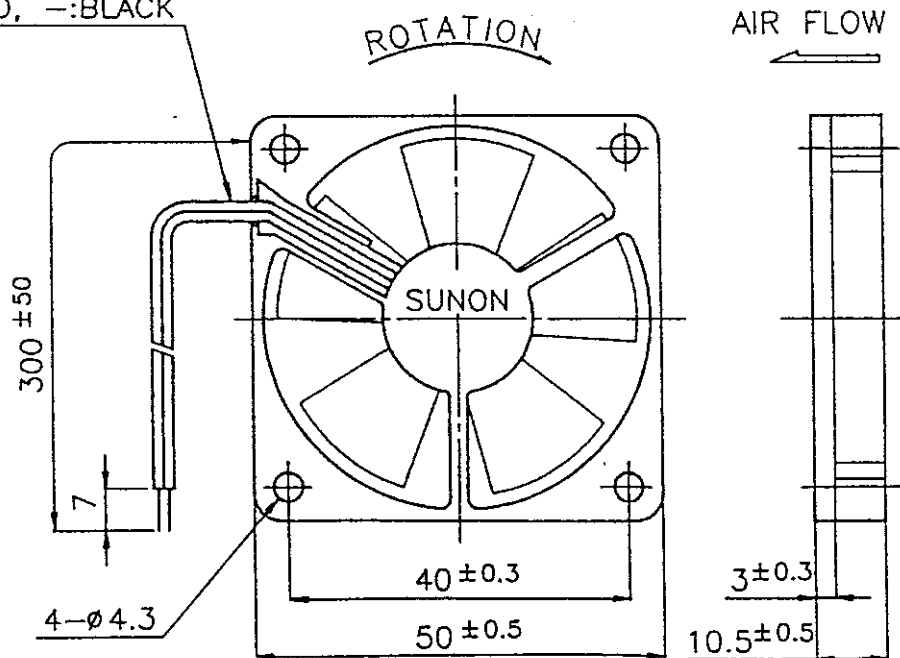
**MATERIAL**

- 2-1. Frame : Thermoplastic PBT of UL 94V-0
- 2-2. Impeller : Thermoplastic PBT of UL 94V-0
- 2-3. Bobbin : Thermoplastic PBT of UL 94V-0
- 2-4. Lead Wire : UL2468, 26AWG, +:RED ; -:BLACK

**DIMENSIONS**



UL2468 #26AWG  
+:RED, -:BLACK



UNIT : mm

建準電機工業股份有限公司 SUNONWEALTH ELECTRIC MACHINE INDUSTRY CO., LTD.	SPEC. NO.	052358300	REVISE DATE	
	ISSUE DATE	01. 16. 1996	EDITION	0
	PAGE	5 OF 5		