

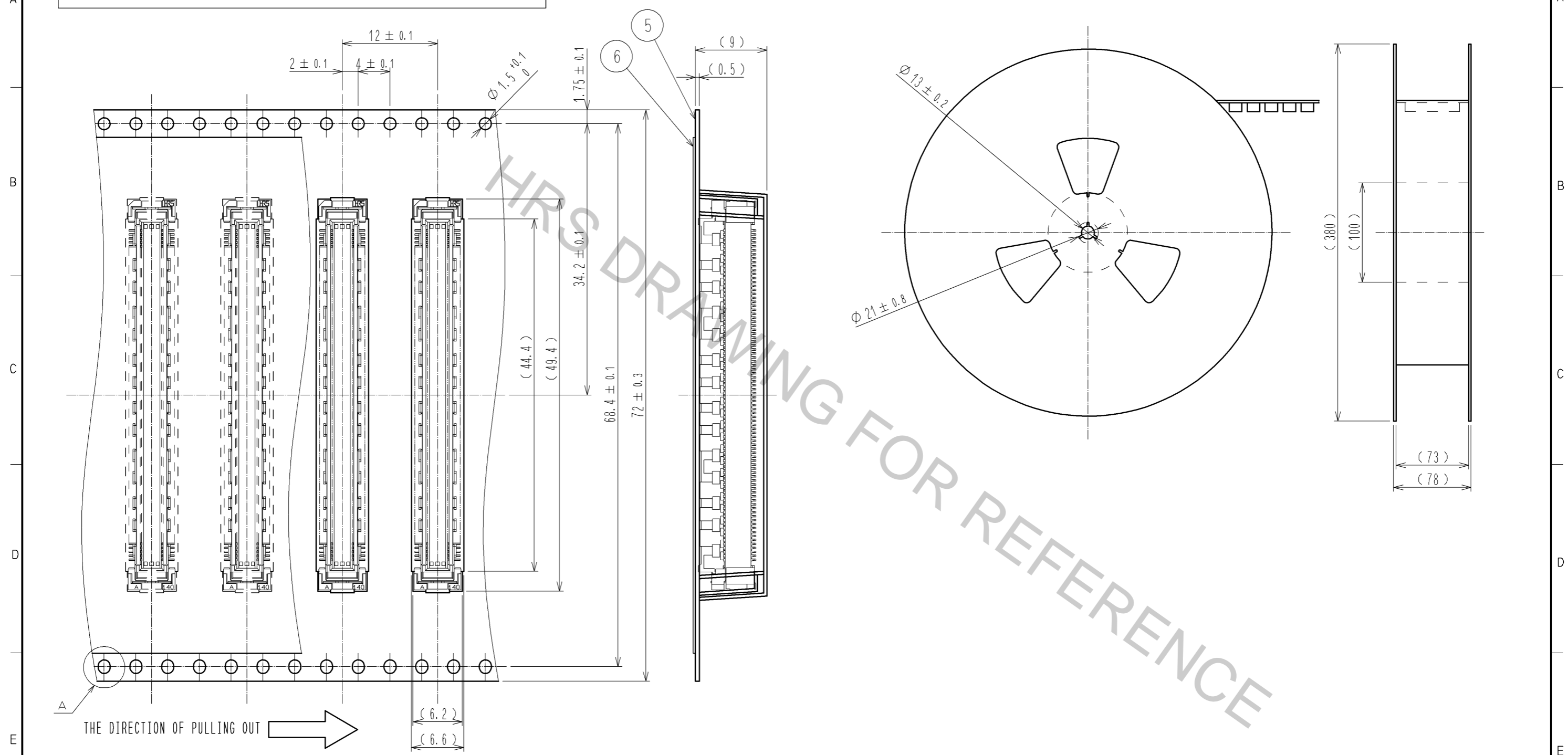
RECOMMENDED LAND PATTERN DIMENSION OF PCB
(RECOMMENDED METAL MASK THICKNESS:0.15mm)

- NOTES
- 1 SMT LEAD-COPLANARITY:0.1 MAX.
 - 2 THIS PRODUCT HAS NO POLARITY TO PATTERN FOR MOUNTING.
 - 3 THE DIMENSIONS IN PARENTHESES ARE FOR REFERENCE.
 - 4 STACKING HEIGHT FROM LEAD TO LEAD(REFERENCE DIMENSIONS)
 - 5 BOARD DISTANCE
 - 6 AREA IS VACUUM PICKUP AREA FOR REFERENCE.

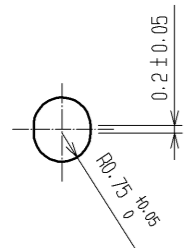
3	COPPER ARROY	CONTACT AREA:GOLD 0.76μm min.	6	PET	TOP COVER TAPE			
		LEAD AREA:GOLD 0.03μm min.	5	PS	EMBOSSD CARRIER TAPE			
		UNDER PLATING:NICKEL 1.3μm min.	4	COPPER ARROY	SURFACE AREA:GOLD 0.03μm min. UNDER PLATING:NICKEL 1.3μm min.			
1, 2	LCP	BEIGE UL94V-0						
NO.	MATERIAL	FINISH . REMARKS	NO.	MATERIAL	FINISH . REMARKS			
UNITS mm			SCALE 4 : 1	COUNT 	DESCRIPTION OF REVISIONS	DESIGNED	CHECKED	DATE
HRS HIROSE ELECTRIC CO., LTD.		APPROVED : HS. OKAWA	11.03.24	DRAWING NO.	EDC3-330884-01			
		CHECKED : KI. HIROKAWA	11.03.24	PART NO.	FX10B-168P-SV4(83)			
		DESIGNED : DK. AIMOTO	11.03.23	CODE NO.	CL570-0307-5-83			
		DRAWN : DK. AIMOTO	11.03.23		1/2			

DRAWING FOR PACKING(2:1)

REELED DIMENSION(FREE)



A(5:1)



- NOTES 1 1REEL:700 CONNECTORS.
 2 MINIMUM 10 COMPARTMENTS FROM BOTH REEL ENDS REMAIN EMPTY.
 3 THIS PRODUCT HAS NO POLARITY TO TAPE AND REEL PACKAGING.
 4 THE DIMENSIONS IN PARENTHESES ARE FOR REFERENCE.

HRS	DRAWING NO.	EDC3-330884-01
	PART NO.	FX10B-168P-SV4(83)
	CODE NO.	CL570-0307-5-83
		$\triangle \frac{2}{2}$