

MODEL:

SR2000

SmartRack® Value Series Rack Enclosure



42 Rack Units



2000 lb.
Stationary
Load Capacity



1100 lb.
Rolling
Load Capacity



Rolling
Casters



Locking
Doors
& Side Panels



Accommodates
Standard
19-inch
Equipment



Toolless
Mounting
Slots



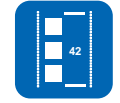
Adjustable
Rails with
Easy-View
Depth Index



Perforated
Doors for
Improved
Airflow



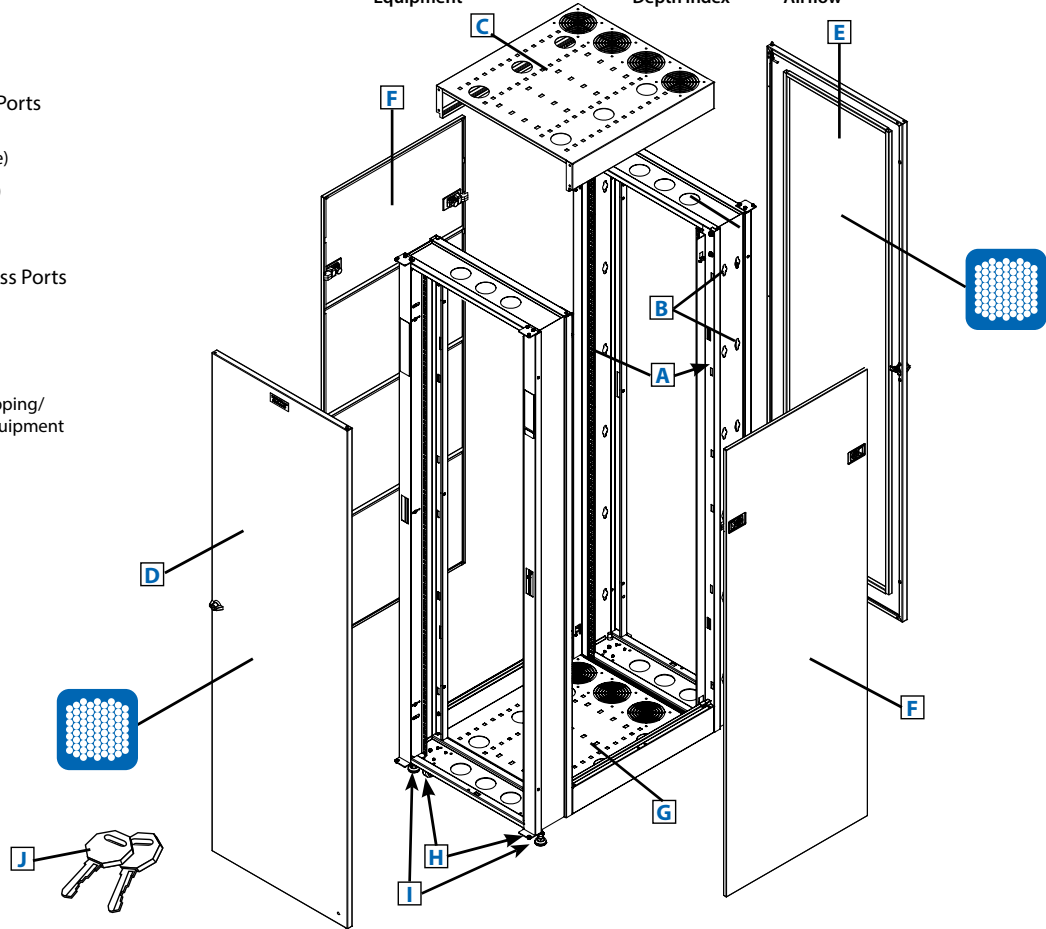
Integrated
Baying Tabs



Square Hole
Mounting

- A** Adjustable Mounting Rails
- B** Toolless Mounting Slots
- C** Roof Panel with Cable Access Ports (Removable)
- D** Front Door (Lockable/Removable)
- E** Rear Door (Lockable/Removable)
- F** Full-Length Side Panels (Lockable/Removable)
- G** Bottom Panel with Cable Access Ports
- H** Casters
- I** Levelers
- J** Keys (For doors and side panels)

Also Includes: Owner's Manual, (2) shipping/stabilizing brackets and rackmount equipment mounting hardware.



- Enclosures ship fully assembled for rapid deployment, but can be knocked down for easy reassembly in confined spaces
- Lightweight modular design optimized for quick configuration and reconfiguration
- Ideal for rackmount server, network and telecom applications

Specifications

Model	SR2000
Rack Spaces	42U
Stationary Load Capacity	2000 lb. (900 kg)
Rolling Load Capacity	1100 lb. (495 kg)
Unit Dimensions (H x W x D)	77.67 x 23.62 x 39.37 in. (1973 x 600 x 1000 mm)
Shipping Dimensions (H x W x D)	82.86 x 25.75 x 45.5 in. (2105 x 654 x 1156 mm)
Unit Weight	169.4 lb. (76.23 kg)
Shipping Weight	219.4 lb. (98.73 kg)
Standards	Meets EIA-310-E, IP20, NOM (Mexico) and RoHS standards (Accommodates all standard rackmount equipment regardless of vendor.)

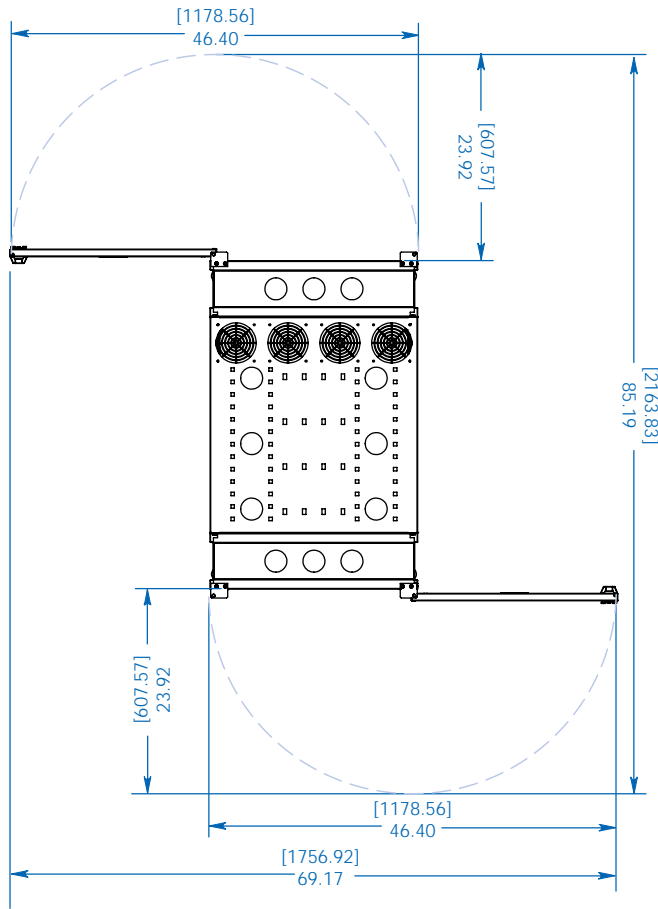
Tripp Lite has a policy of continuous improvement. Specifications are subject to change without notice.



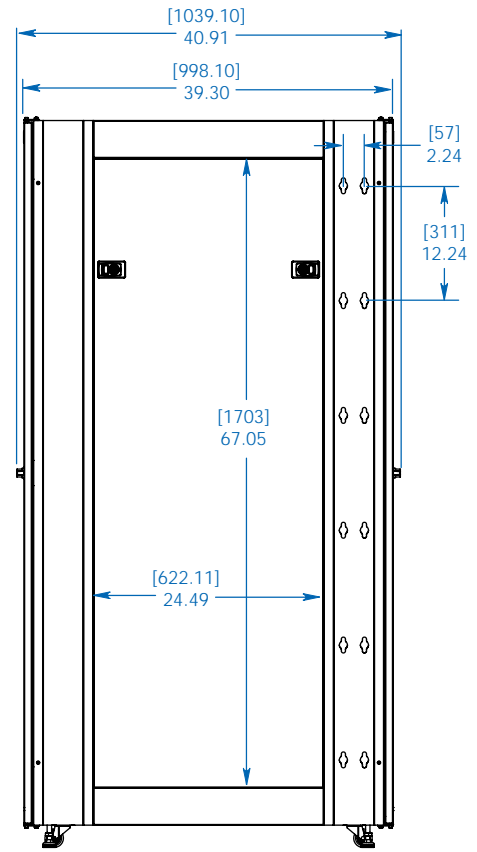
SEE NEXT PAGE FOR DETAILED UNIT MEASUREMENTS



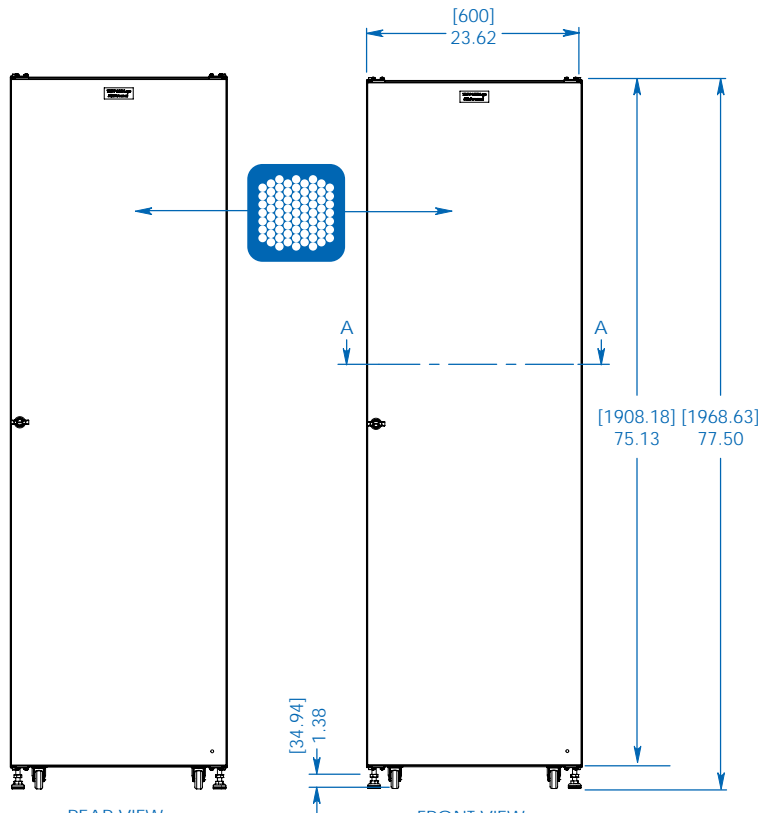
1111 W. 35th Street
Chicago, IL 60609 USA
773.869.1234
www.tripplite.com



TOP VIEW

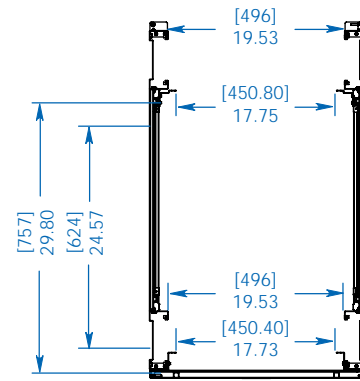


SIDE VIEW



REAR VIEW

FRONT VIEW



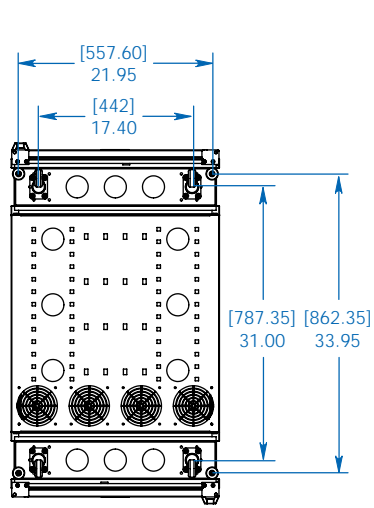
CROSS SECTION A

MODEL:
SR2000

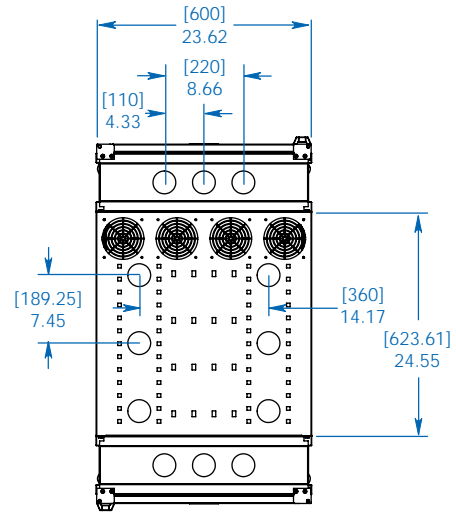


Dimensions: [mm] INCHES

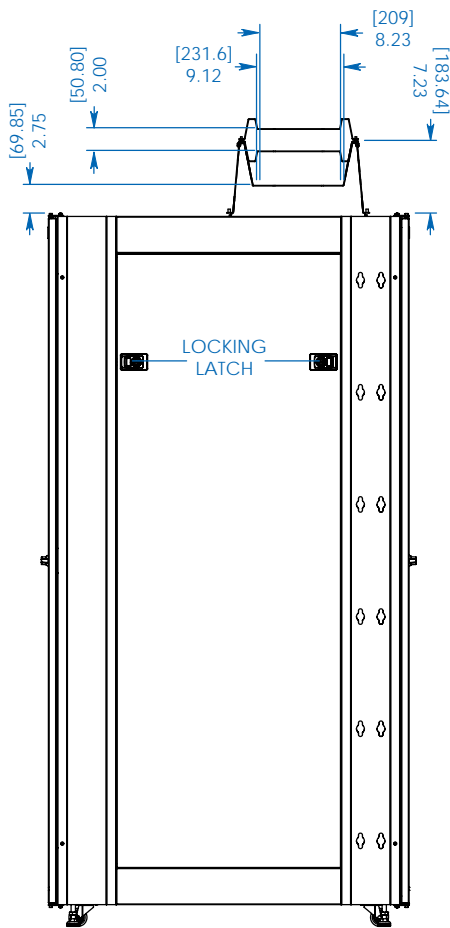
Tripp Lite has a policy of continuous improvement. Specifications are subject to change without notice.



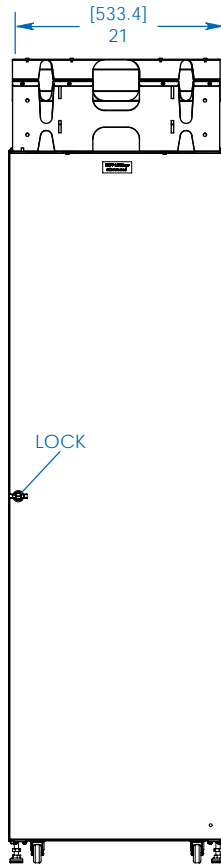
BOTTOM VIEW



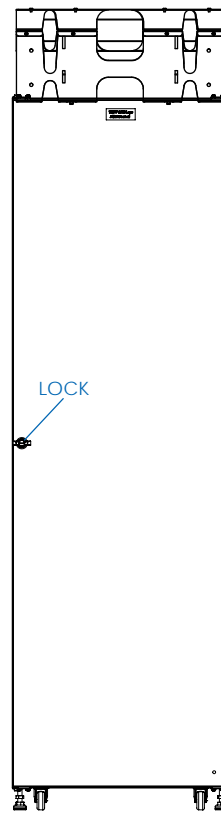
TOP VIEW



SIDE VIEW



REAR VIEW



FRONT VIEW

OPTIONAL SRCABLETRAY AND SRCABLETRAYEXP CABLE MANAGEMENT ACCESSORIES SHOWN (MOUNTING POSITION ADJUSTS TO ACCOMMODATE A WIDE RANGE OF APPLICATIONS)

MODEL:
SR2000



1111 W. 35th Street
Chicago, IL 60609 USA
773.869.1234
www.tripplite.com

Dimensions: [mm] INCHES

Tripp Lite has a policy of continuous improvement. Specifications are subject to change without notice.